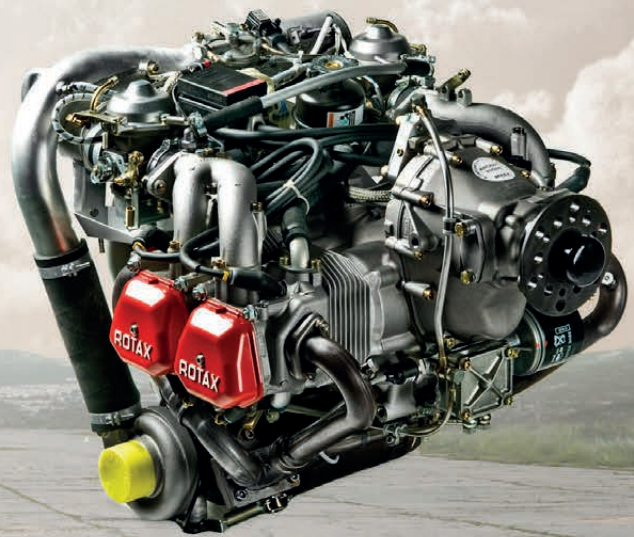
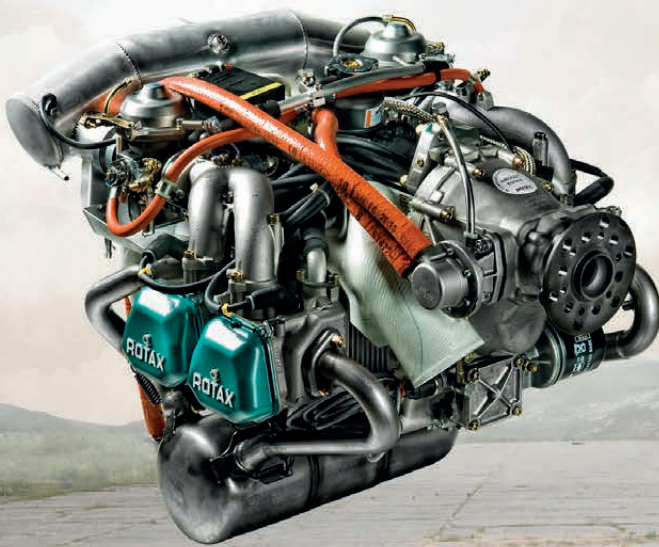


ILLUSTRATED PARTS CATALOG

FOR ROTAX[®] ENGINE TYPE 912 AND 914 SERIES



from engine serial no.: 912 UL: 4 153 100, 912 A: 4 380 600, other engines: begin of serial production

WARNING

These technical data and the information embodied therein are the property of BRP-Rotax GmbH & CO KG, Austria, acc, BGBl 1984 no. 448, and shall not, without prior written permission of BRP-Rotax GmbH & Co KG, be disclosed in whole or in part to third parties. This legend shall be included on any reproduction of these data, in whole or in part. The Manual must remain with the engine/aircraft in case of sale.

ROTAX[®] is a trade mark of BRP-Rotax GmbH & Co KG. In the following document the short form of BRP-Rotax GmbH & Co KG = BRP-Rotax is used.

Other product names in this documentation are used purely for ease of identification and may be trademarks of the respective company or owner.

Copyright 2018 © - all rights reserved.

Translation into other languages might be performed in the course of language localization but does not lie within ROTAX[®] scope of responsibility.

In any case the original text in English language and the metric units are authoritative.

BRP-Rotax
ILLUSTRATED PARTS CATALOG

Chapter) TOC
TABLE OF CONTENT

Table of content	TOC
List of effective pages	LEP
Table of amendments	TOA
<hr/>	
00-00-00	
General note	Page 1
Explanation	Page 2
Parts order	Page 3
Engine view and denomination of the cylinders.....	Page 4
Repeating symbols	Page 5
Structure	Page 5
Repair tools.....	Page 8
Lubricant tools	Page 19
Documentation, Gasket Set, Engine block	Page 22
<hr/>	
24-20-00	
Magneto-Generator, Pick Up, Rectifier Regulator	Page 3
<hr/>	
24-30-00	
External Generator F3A (all parts optional)	Page 3
<hr/>	
37-10-00	
Vacuum pump with drive (all parts optional).....	Page 3
<hr/>	
61-20-00	
Hydr. governor arrangement for constant speed propeller (optional).....	Page 3
<hr/>	

d06400.fm

BRP-Rotax

ILLUSTRATED PARTS CATALOG

71-20-00

Engine suspension frame..... Page 3

72-10-00

Propeller gear assy with overload clutch..... Page 4

Overload clutch Page 11

72-20-00

Crankcase..... Page 3

Crankshaft, Piston, Cylinder, Sprag clutch..... Page 15

Cylinder head, Valve train, Valve cover Page 19

73-00-00

Bing constant speed depression carburetor-Single parts Page 2

Carburetor-Single parts 912 Series..... Page 7

Carburetor-Single parts 914 Series..... Page 13

73-10-00

Intake manifold, Compensating tube assy. Page 3

Fuel pump assy., Fuel hose assy., Airbox assy.. Page 8

Airbox assy., 3 Way Solenoid valve assy., Fuel pressure
regulator assy..... Page 13

Instruments, Air filter Page 19

74-20-00

Double ignition coil assy., SMD- electronic module Page 5

d06400.fm

BRP-Rotax

ILLUSTRATED PARTS CATALOG

75-20-00

Water pump with drive, Ignition housing Page 3

Expansion tank with hoses and connections Page 7

Cooling air baffle, Overflow bottle with cap, Radiator Page 11

76-10-00

Turbocharger control unit..... Page 3

76-20-00

FLYDAT sensor set (all parts optional) Page 4

78-10-00

Exhaust system Page 3

Muffler, Turbocharger, Oil sump container Page 9

79-20-00

Oil tank..... Page 3

Oil pump assy., Oil filter, Oil temperature sensor,
Oil pressure sensor..... Page 7

Magnetic drain plug, Plug screw..... Page 12

Oil radiator Page 14

80-10-00

Electric starter, Starter relay Page 3

Electric starter single parts Page 9

d06400.fm

BRP-Rotax
ILLUSTRATED PARTS CATALOG

NOTES

d06400.fm

BRP-Rotax

ILLUSTRATED PARTS CATALOG

Chapter) LEP

LIST OF EFFECTIVE PAGES

Chapter	Page	Date
	Title page	January 01 2017
TOC	TOC - 1	January 01 2017
	TOC - 2	January 01 2017
	TOC - 3	January 01 2017
	TOC - 4	January 01 2017
LEP	LEP - 1	June 01 2018
	LEP - 2	June 01 2018
	LEP - 3	March 01 2018
	LEP - 4	January 01 2017
TOA	TOA - 1	June 01 2018
	TOA - 2	June 01 2018
	TOA - 3	June 01 2018
	TOA - 4	March 01 2018
00-00-00	1	January 01 2017
	2	January 01 2017
	3	January 01 2017
	4	January 01 2017
	5	January 01 2017
	6	January 01 2017
	7	January 01 2017
	8	January 01 2017
	9	March 01 2018
	10	January 01 2017
	11	January 01 2017
	12	January 01 2017
	13	January 01 2017
	14	March 01 2018
	15	January 01 2017
	16	January 01 2017
	17	January 01 2017
	18	January 01 2017
	19	January 01 2017
	20	January 01 2017
	21	January 01 2017
	22	March 01 2018
	23	March 01 2018
	24	January 01 2017
24-20-00	1	January 01 2017
	2	January 01 2017
	3	March 01 2018
	4	March 01 2018
	5	March 01 2018
	6	January 01 2017

Chapter	Page	Date
24-30-00	1	January 01 2017
	2	January 01 2017
	3	March 01 2018
	4	March 01 2018
37-10-00	1	January 01 2017
	2	January 01 2017
	3	March 01 2018
	4	January 01 2017
61-20-00	1	January 01 2017
	2	January 01 2017
	3	March 01 2018
	4	March 01 2018
71-20-00	1	January 01 2017
	2	January 01 2017
	3	March 01 2018
	4	January 01 2017
72-10-00	1	January 01 2017
	2	June 01 2018
	3	January 01 2017
	4	June 01 2018
	5	June 01 2018
	6	June 01 2018
	7	June 01 2018
	8	June 01 2018
	9	June 01 2018
	10	January 01 2017
	11	June 01 2018
	12	January 01 2017

d06595.fm

BRP-Rotax

ILLUSTRATED PARTS CATALOG

Chapter	Page	Date
72-20-00	1	January 01 2017
	2	January 01 2017
	3	March 01 2018
	4	March 01 2018
	5	January 01 2017
	6	January 01 2017
	7	March 01 2018
	8	March 01 2018
	9	March 01 2018
	10	January 01 2017
	11	March 01 2018
	12	March 01 2018
	13	January 01 2017
	14	January 01 2017
	15	March 01 2018
	16	March 01 2018
	17	January 01 2017
	18	January 01 2017
	19	June 01 2018
	20	June 01 2018
	21	June 01 2018
	22	January 01 2017
73-00-00	1	January 01 2017
	2	January 01 2017
	3	January 01 2017
	4	January 01 2017
	5	January 01 2017
	6	January 01 2017
	7	March 01 2018
	8	March 01 2018
	9	March 01 2018
	10	March 01 2018
	11	January 01 2017
	12	January 01 2017
	13	March 01 2018
	14	January 01 2017
	15	March 01 2018
	16	March 01 2018

Chapter	Page	Date
73-10-00	1	January 01 2017
	2	January 01 2017
	3	March 01 2018
	4	March 01 2018
	5	January 01 2017
	6	January 01 2017
	7	January 01 2017
	8	March 01 2018
	9	January 01 2017
	10	January 01 2017
	11	January 01 2017
	12	January 01 2017
	13	March 01 2018
	14	March 01 2018
	15	March 01 2018
	16	March 01 2018
	17	January 01 2017
	18	January 01 2017
	19	March 01 2018
	20	January 01 2017
74-20-00	1	January 01 2017
	2	January 01 2017
	3	January 01 2017
	4	January 01 2017
	5	March 01 2018
	6	June 01 2018
	7	March 01 2018
	8	March 01 2018
	9	January 01 2017
	10	January 01 2017
75-20-00	1	January 01 2017
	2	January 01 2017
	3	March 01 2018
	4	March 01 2018
	5	January 01 2017
	6	January 01 2017
	7	January 01 2017
	8	March 01 2018
	9	January 01 2017
	10	March 01 2018
	11	March 01 2018
	12	March 01 2018
76-10-00	1	January 01 2017
	2	January 01 2017
	3	March 01 2018
	4	January 01 2017

d06595.fm

BRP-Rotax

ILLUSTRATED PARTS CATALOG

Chapter	Page	Date
76-20-00	1	January 01 2017
	2	January 01 2017
	3	January 01 2017
	4	January 01 2017
	5	January 01 2017
	6	January 01 2017
78-10-00	1	January 01 2017
	2	January 01 2017
	3	March 01 2018
	4	March 01 2018
	5	January 01 2017
	6	January 01 2017
	7	January 01 2017
	8	January 01 2017
	9	March 01 2018
	10	March 01 2018
	11	March 01 2018
	12	January 01 2017
79-20-00	1	January 01 2017
	2	January 01 2017
	3	January 01 2017
	4	January 01 2017
	5	January 01 2017
	6	January 01 2017
	7	January 01 2017
	8	March 01 2017
	9	June 01 2018
	10	June 01 2018
	11	January 01 2017
	12	January 01 2017
	13	January 01 2017
	14	March 01 2018
	15	January 01 2017
	16	January 01 2017
80-10-00	1	January 01 2017
	2	March 01 2018
	3	March 01 2018
	4	January 01 2017
	5	January 01 2017
	6	January 01 2017
	7	January 01 2017
	8	January 01 2017
	9	January 01 2017
	10	January 01 2017

d06595.fm

BRP-Rotax
ILLUSTRATED PARTS CATALOG

NOTES

d06595.fm

BRP-Rotax

ILLUSTRATED PARTS CATALOG

Chapter) TOA

TABLE OF AMENDMENTS

Approval*

The technical content of this document is approved under the authority of DOA ref. EASA.21J.048.

current no.	chapter	page	date of change	remark of approval	date of approval from authorities	date of issue	signature
0	TOC	alle/all	January 01 2017	DOA*			
0	00-00-00	alle/all	January 01 2017	DOA*			
0	LEP	alle/all	January 01 2017	DOA*			
0	TOA	alle/all	January 01 2017	DOA*			
0	24-20-00	alle/all	January 01 2017	DOA*			
0	24-30-00	alle/all	January 01 2017	DOA*			
0	37-10-00	alle/all	January 01 2017	DOA*			
0	61-20-00	alle/all	January 01 2017	DOA*			
0	71-20-00	alle/all	January 01 2017	DOA*			
0	72-10-00	alle/all	January 01 2017	DOA*			
0	72-20-00	alle/all	January 01 2017	DOA*			
0	73-00-00	alle/all	January 01 2017	DOA*			
0	73-10-00	alle/all	January 01 2017	DOA*			
0	74-20-00	alle/all	January 01 2017	DOA*			
0	75-20-00	alle/all	January 01 2017	DOA*			
0	76-10-00	alle/all	January 01 2017	DOA*			
0	76-20-00	alle/all	January 01 2017	DOA*			
0	78-10-00	alle/all	January 01 2017	DOA*			
0	79-20-00	alle/all	January 01 2017	DOA*			
0	80-10-00	alle/all	January 01 2017	DOA*			
1	LEP	1,2,3	March 01 2017	DOA*			
1	TOA	1,2	March 01 2017	DOA*			
1	24-20-00	4	March 01 2017	DOA*			
1	72-10-00	7,8	March 01 2017	DOA*			
1	72-20-00	13	March 01 2017	DOA*			
1	79-20-00	8	March 01 2017	DOA*			
2	LEP	1,2,3	March 01 2018	DOA*			
2	TOA	1-4	March 01 2018	DOA*			
2	00-00-00	8,14,22,23	March 01 2018	DOA*			
2	24-20-00	3,4,5	March 01 2018	DOA*			
2	24-30-00	3,4	March 01 2018	DOA*			
2	37-10-00	3	March 01 2018	DOA*			
2	61-20-00	3,4	March 01 2018	DOA*			
2	71-20-00	3	March 01 2018	DOA*			
2	72-10-00	4-9	March 01 2018	DOA*			

d06596.fm

BRP-Rotax

ILLUSTRATED PARTS CATALOG

current no.	chapter	page	date of change	remark of approval	date of approval from authorities	date of issue	signature
2	72-20-00	3,4,7,8,9,11,	March 01 2018	DOA*			
2		12,15,16,19,	March 01 2018	DOA*			
2		20,21	March 01 2018	DOA*			
2	73-00-00	7-10,13,	March 01 2018	DOA*			
2		15,16	March 01 2018	DOA*			
2	73-10-00	3,4,8,13-16,	March 01 2018	DOA*			
2		19	March 01 2018	DOA*			
2	74-20-00	5-8	March 01 2018	DOA*			
2	75-20-00	3,4,8,10-12	March 01 2018	DOA*			
2	76-10-00	3	March 01 2018	DOA*			
2	78-10-00	3,4,9,10,11	March 01 2018	DOA*			
2	79-20-00	9,14	March 01 2018	DOA*			
2	80-10-00	2,3	March 01 2018	DOA*			
3	LEP	1	June 01 2018	DOA*			
3	TOA	1,2,3	June 01 2018	DOA*			
3	72-10-00	2,4-9,11	June 01 2018	DOA*			
3	72-20-00	19,20,21	June 01 2018	DOA*			
3	74-20-00	6	June 01 2018	DOA*			
3	79-20-00	9, 10	June 01 2018	DOA*			

BRP-Rotax

ILLUSTRATED PARTS CATALOG

Chapter) TOA

Content

Summary of the relevant amendments in this context, but makes no claim to completeness.

current no.	chapter	page	date of change	comments
0	all	all	January 01/2017	New layout: documentation main language = English, upgrade of part numbers / part description and figures
1	24-20-00	4	March 01/2017	Correction of description
1	72-10-00	7	March 01/2017	Correction of part number
1	72-20-00	13	March 01/2017	Correction of legend
1	79-20-00	8	March 01/2017	Correction of illustration
2	00-00-00 to 80-10-00	see affected pages LEP	March 01/2018	Correction of illustration Correction of part number
3	72-10-00	2,4-9,11	June 01/2018	New Gearbox with oil spray nozzle assy.
3	72-20-00	19,20,21	June 01/2018	Correction of parts per engine
3	74-20-00	6	June 01/2018	Correction of parts per engine
3	79-20-00	9,10	June 01/2018	Correction of part number

d06596.fm

BRP-Rotax
ILLUSTRATED PARTS CATALOG

NOTES

d06596.fm

BRP-Rotax

ILLUSTRATED PARTS CATALOG

Chapter) 00-00-00

GENERAL NOTE

Modification

The information and components-/system descriptions contained in this Illustrated Parts Catalog are correct at the time of publication.

BRP-Rotax, however, maintains a policy of continuous improvement of its products without imposing upon itself any obligation to install them on its products previously manufactured.

BRP-Rotax reserves the right at any time to discontinue or change specification, designs, features, models or equipment without incurring obligation.

Note

This Illustrated Parts Catalog is not an offer to sell parts, but a catalog illustrating the parts available at ROTAX authorized distributors.

BRP-Rotax reserves the right to deliver the components (crankshaft, crankcase, special tools etc.) only to organisations with respective qualifications.

Color variations

Color variations on unpainted castings:

On unpainted surfaces (i.e. aluminum cases) minor color variations (i.e. grey tone on aluminum surface) are possible due to the manufacturing process. Such possible color variations do not affect the quality of the product and are no reason for rejection - even a color variation on castings in differing areas is acceptable.

Tightening torque

Generally all the fasteners on a ROTAX® engine are tightened with a torque wrench. The tightening torque must always be done according to the content of the latest Maintenance Manual Heavy for the respective engine type.

Revisions

This Illustrated Parts Catalog will be revised once a year or as required.

NOTES: Date of issue or number of revision is printed on cover and bottom end of page.

BRP-Rotax

ILLUSTRATED PARTS CATALOG

1) Introduction

1.1) Explanation

As obvious from the cover, this Illustrated Parts Catalog covers the current ROTAX aircraft engine type 912 and 914 Series. Certified and non-certified versions are available.

Besides the engine-specific parts, the most popular accessories are also listed.

Certification

The **ROTAX** engine type **912 A** has been certified in accordance with JAR 22 Appendix H, Amdt. 1 dated 18 May 1981.

The **ROTAX** engine type **912 F and 912 S** have been certified in accordance with FAR Part 33 Amdt. 15.

The **ROTAX** engine type **914 F** has been certified in accordance with FAR Part 33 Amdt. 15 and JAR E Change 9 dated 21 October 1994.

The following **ROTAX** engines are non-certified:

ROTAX 912 UL, ROTAX 912 ULS, ROTAX 912 ULS FR, ROTAX 914 UL

BRP-Rotax
ILLUSTRATED PARTS CATALOG

1.2) Parts order

At a parts order for a certified engine, state details of application e.g. 912 S certified to EASA CS-E. For these parts an Authorized Release Certificate (FORM ONE TAG, see sample below) will be issued. For parts volume see enclosed packing slip.

1. Approving Competent Authority/Country Austro Control GmbH		2. AUTHORISED RELEASE CERTIFICATE EASA FORM 1			3. Form Tracking Number	
4. Approved Organisation Name and Address: ROTAX BRP-Powertrain GmbH & Co KG A-4623 Günskirchen, Austria Welsersstraße 32				5. Work Order/Contract/Invoice Delivery Note Date		
6. Item	7. Description	8. Part No.	9. Qty.	10. Serial-No.	11. Status/Work	
12. Remarks						
<p><i>Next overhaul after</i> <i>h or</i> <i>years of first operation</i></p> <p><i>Service Bulletin optional:</i> <i>Service Bulletin effect:</i></p> <p><i>Service Bulletin not applicable:</i></p>						
<p>Displayed for:</p> <p>Limited life parts will normally be accompanied by maintenance history including life used</p>						
<p>13a. Certifies that the items identified above were manufactured in conformity to:</p> <p><input checked="" type="checkbox"/> approved design data and are in condition for safe operation</p> <p><input type="checkbox"/> non-approved design data specified in block 12</p>				<p>14a. <input type="checkbox"/> Part-145.A.50 Release to Service <input type="checkbox"/> Other Regulation specified in block 12</p> <p>Certifies that unless otherwise specified in block 12, the work identified in block 11 and described in block 12, was accomplished in accordance with Part 145 and in respect to that work the items are considered ready for release to service</p>		
13b. Authorised Signature		13c. Approval/Authorisation Number AT.21G.0006		14b. Authorised Signature		14c. Certificate/Approval Ref. No.
13d. Name		13e. Date (dd month yyyy)		14d. Name		

CSAFA0011-21 Issue 2 Regarding User/Installer responsibilities, Import-Storage requirements please see reverse side PRINTED FROM ELECTRONIC FILE

06389

Engine serial number

On all enquiries or spare part orders, always indicate engine serial number, as the manufacturer makes modification to engine for further development.

The engine serial number (1) is located on the top of the ignition housing. See [Fig 1](#).

d06547.fm

BRP-Rotax

ILLUSTRATED PARTS CATALOG

1.3) Engine view and denomination of the cylinders

PTO	power take off side
MAG	magneto side
Cyl. 1	Cylinder 1
Cyl. 2	Cylinder 2
Cyl. 3	Cylinder 3
Cyl. 4	Cylinder 4

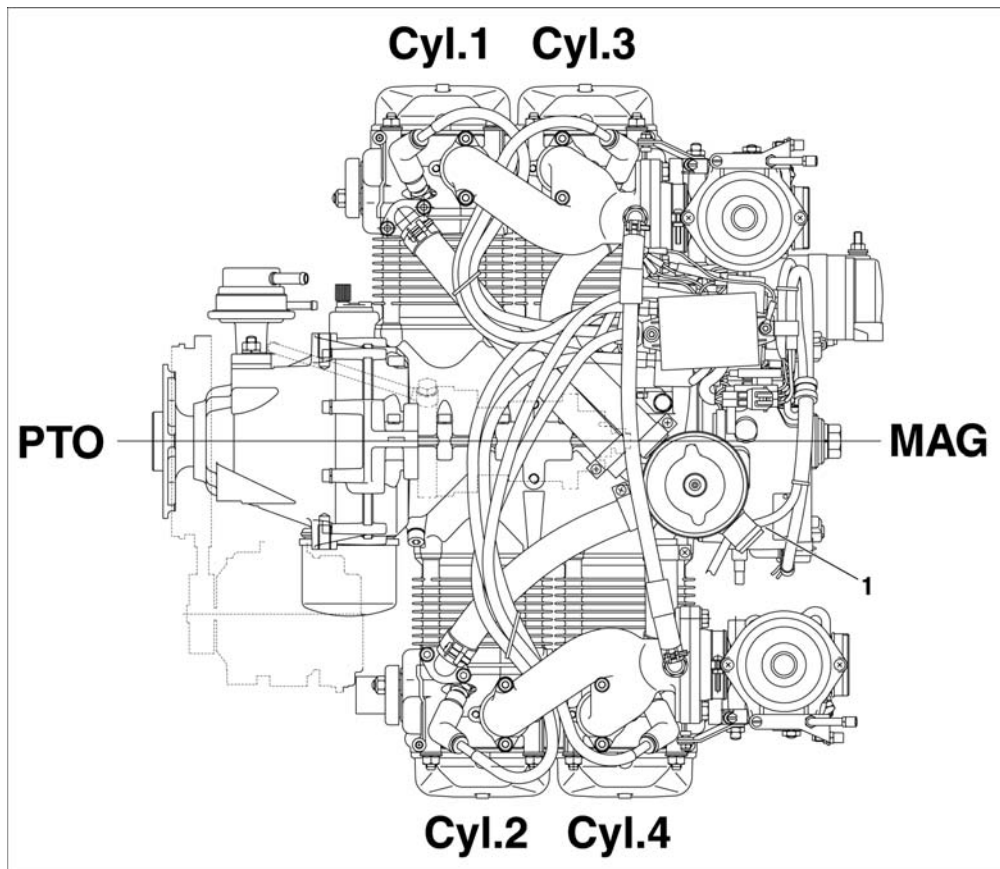


Fig 1

09792

1.4) Repeating symbols

Safety notice

This catalog uses the following symbols to emphasize particular information. These indications are important and must be respected.



Identifies an instruction which, if not followed, may cause serious injury including the possibility of death.



Identifies an instruction which, if not followed, may cause minor or moderate injury.



Denotes an instruction which, if not followed, may severely damage the engine or other component.

NOTES:

Indicates supplementary information which may be needed to fully complete or understand an instruction.



In illustrations this sign indicates you the position of the current serial number (e.g. on crankshaft, camshaft, etc.)



A revision bar outside of the page margin indicates a change to text or graphic.

1.5) Structure

Exploded view

Each section starts with an exploded view of the type 912/914 Series on the left side. The corresponding heading and the listing of the parts is on the right side and the following pages.

The numbering on the exploded view is in the sequence of assembly as good as practicable.

For prevention of errors and to simplify exchange we tried best to list the part number of each component only once. But for better understanding components are frequently depicted without being listed, but referred to a respective section, if considered necessary.

Engine-column

For each engine type the right amount of spare parts per engine is listed in the relevant engine-column.

If the quantity is in brackets it indicates that the part is not absolutely necessary but optional on the respective engine type.

A small letter added to the number refers to information at the end of the section.

No number in the column parts per assembly indicates that this part is not planned for the respective engine.

Status

BRP-Rotax

ILLUSTRATED PARTS CATALOG

In the column "status" find the following statement:

N	newly introduced part
s.v.	still valid, part was replaced by compatible component and can not be supplied any longer by the producer. Existing stock may be used.
n.a.	not available
AR	as required

Fig. no.	Item no.	FIG. & ITEM No.	STATUS	PART No.	INDENT	Description	PARTS PER ENGINE	
							912 iSc	912 iS
		1 1	N	910899	.1	FUEL PUMP ASSY	1a	1
		1	s.v.	910898	.1	FUEL PUMP ASSY	(1)	1
		2	n.a.	440042	..2	ALLEN SCREW M8x15	2	A.R.

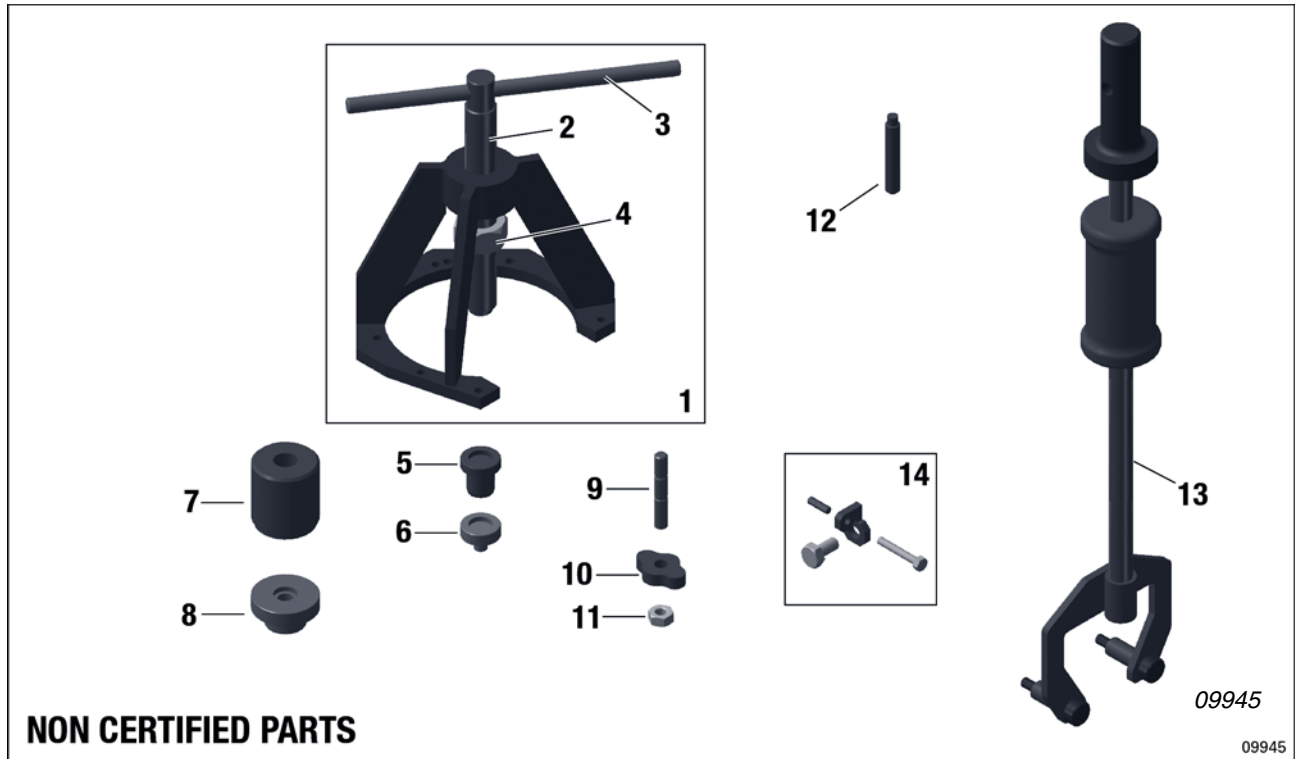
Fig 2

06299

BRP-Rotax

ILLUSTRATED PARTS CATALOG

REPAIR TOOLS



ITEM NO.	Application	ITEM NO.	Application
1-4	Roller bearing 25x25x15, oil seal 30x52x7	9	Roller bearing 25x52x15, oil seal 30x52x7
5	Prop shaft version 2	10-11	Roller bearing 25x52x15, oil seal 30x52x7, oil inlet cover
6	Prop shaft version 3	12	Crankshaft locking screw M8x50
7	Roller bearing 25x52x15, oil seal 30x52x7, version 2	13-14	Gearbox
8	Roller bearing 25x52x15, oil inlet flange version 3		

d06547.fm

BRP-Rotax
ILLUSTRATED PARTS CATALOG

REPAIR TOOLS

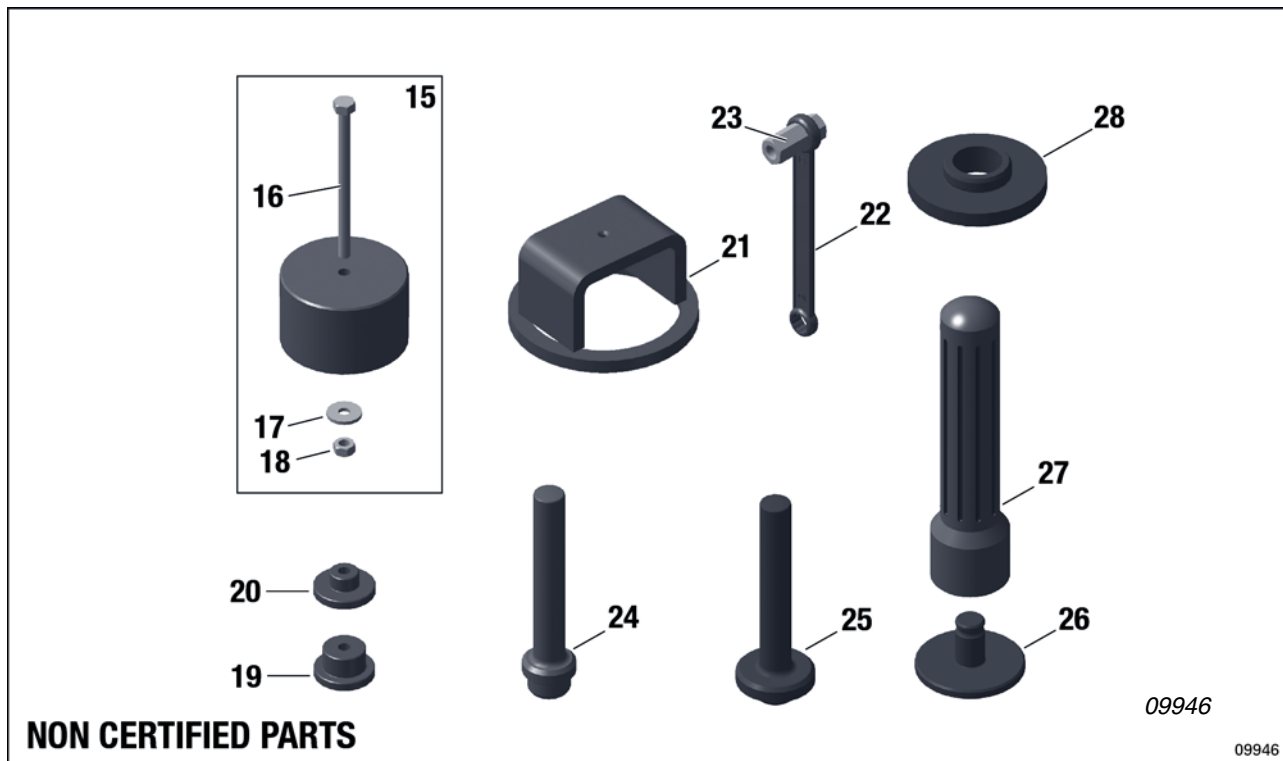
FIG. & ITEM NO.	STATUS	PART NO.	INDENT	Description	Parts per Engine						
					912 A	912 F	912 S	912 UL	912 ULS	914 F	914 UL
1-4		877615	.1	EXTRACTOR ASSY.	1	1	1	1	1	1	1
2		877580	..2	PULL -IN SPINDLE M24x1.5	1	1	1	1	1	1	1
3		276155	..2	BOLT 12X250	1	1	1	1	1	1	1
4		842585	..2	HEX.SCREW M24X1.5 - 19MM	1	1	1	1	1	1	1
5		877605	.1	PRESS-OUT MUSHROOM	1	1	1	1	1	1	1
6		877600	.1	PRESS-OUT MUSHROOM	1	1	1	1	1	1	1
7		877594	.1	PRESS-IN JIG	1	1	1	1	1	1	1
8		877590	.1	PRESS-IN MUSHROOM	1	1	1	1	1	1	1
9		941180	.1	STUD M10X45/20	1	1	1	1	1	1	1
10		877561	.1	PULL-OUT PLATE	1	1	1	1	1	1	1
11	N	242092	.1	HEX. NUT M10	1	1	1	1	1	1	1
12		240880	.1	THREAD BOLT M8X50	1	1	1	1	1	1	1
13		877660	.1	PULLER ASSY.	1	1	1	1	1	1	1
14	N	877540	.1	PUSHING JIG ASSY.	1	1	1	1	1	1	1

- Items not illustrated

d06547.fm

BRP-Rotax
ILLUSTRATED PARTS CATALOG

REPAIR TOOLS



ITEM NO.	Application	ITEM NO.	Application
15-18	Ball bearing 15x32x8, Oil inlet flange, oil inlet cover	24	Ball bearing 15x32x8, needle sleeve-vacuum pump
19	Needle bearing 22x28x12-vacuum pump	25	Oil seal 22x32x7 vacuum pump
20	Ball bearing 15x32x8-vacuum pump	26	Oil seal 40x55x7 gear box cover
21	To compress dog gear	27	Stamp
22	Ring wrench 10/13	28	Ball bearing 35-72-17, propeller shaft handle with part no. 876518
23	Fixture for vacuum pump drive		

d06547.fm

BRP-Rotax
ILLUSTRATED PARTS CATALOG

REPAIR TOOLS

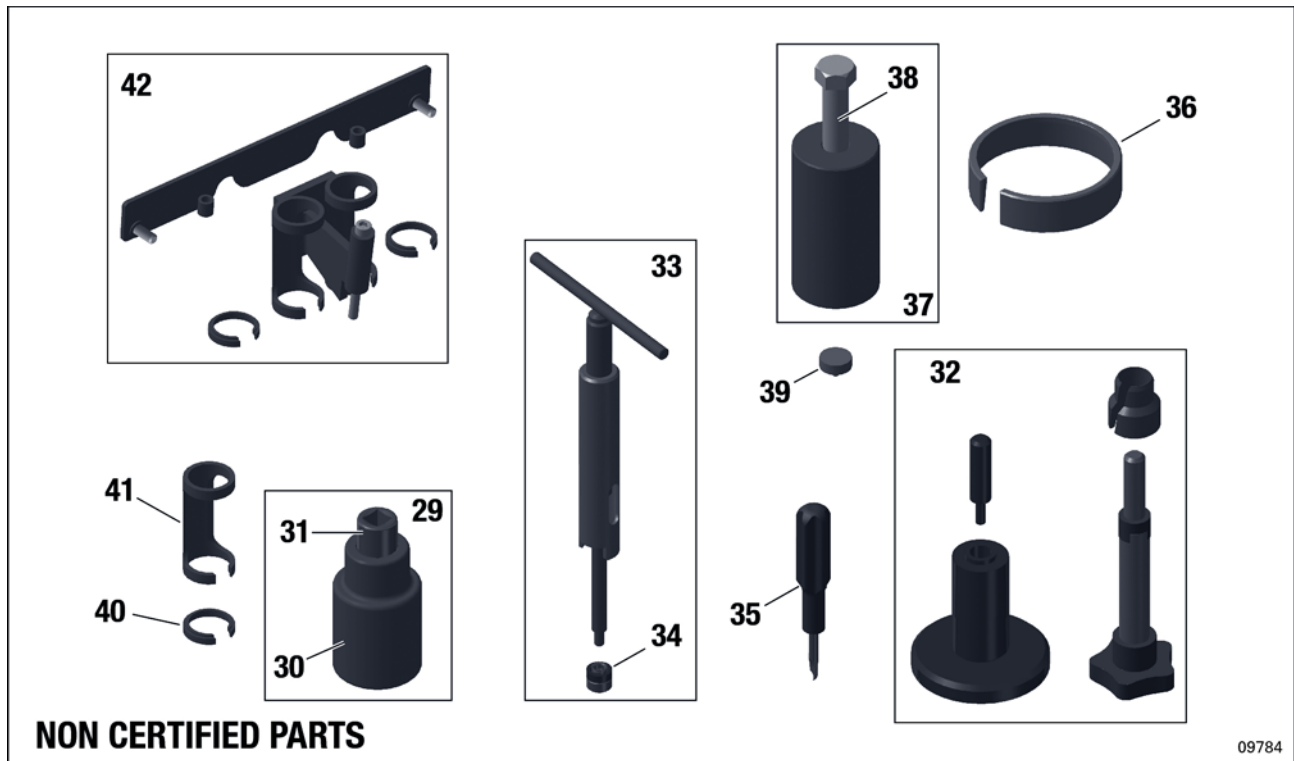
FIG. & ITEM NO.	STATUS	PART NO.	INDENT	Description	Parts per Engine						
					912 A	912 F	912 S	912 UL	912 ULS	914 F	914 UL
15-18		876489	.1	PULLER ASSY.	1	1	1	1	1	1	1
16		941730	..2	HEX.SCREW M6X80	1	1	1	1	1	1	1
17		827305	..2	WASHER 6.2/18/2	1	1	1	1	1	1	1
18		242211	..2	HEX.NUT M6	1	1	1	1	1	1	1
19		877597	.1	PRESS-IN MUSHROOM	1	1	1	1	1	1	1
20		877595	.1	PRESS-IN MUSHROOM	1	1	1	1	1	1	1
21		876885	.1	MOUNTING YOKE	1	1	1	1	1	1	1
22		876470	.1	RING SPANNER 10/13	1	1	1	1	1	1	1
23		242661	.1	DISTANCE NUT M8X33	1	1	1	1	1	1	1
24		276332	.1	INSERTION JIG ASSY.	1	1	1	1	1	1	1
25		877276	.1	INSERTION JIG ASSY.	1	1	1	1	1	1	1
26		876518	.1	INSERTION JIG	1	1	1	1	1	1	1
27		877650	.1	HANDLE FOR INSERTION JIG	1	1	1	1	1	1	1
28		877320	.1	PRESS-IN RING	1	1	1	1	1	1	1

- Items not illustrated

d06547.fm

BRP-Rotax
ILLUSTRATED PARTS CATALOG

REPAIR TOOLS



ITEM NO.	Application	ITEM NO.	Application
29-31	Hex nut A/F 41	36	Piston diameter 79.5 mm/3.13 in.
32	Fitting of piston pin circlips	37-38	Puller Magneto hub
33-34	Fitting and removal of piston pin	39	Crankshaft magneto side
35	Mono hook clips puller	40	Adapter ring assy. for valve spring mounting device
36	Piston diameter 84 mm/33 in.	40-42	Installation/Removal of valve spring

d06547.fm

BRP-Rotax
ILLUSTRATED PARTS CATALOG

REPAIR TOOLS

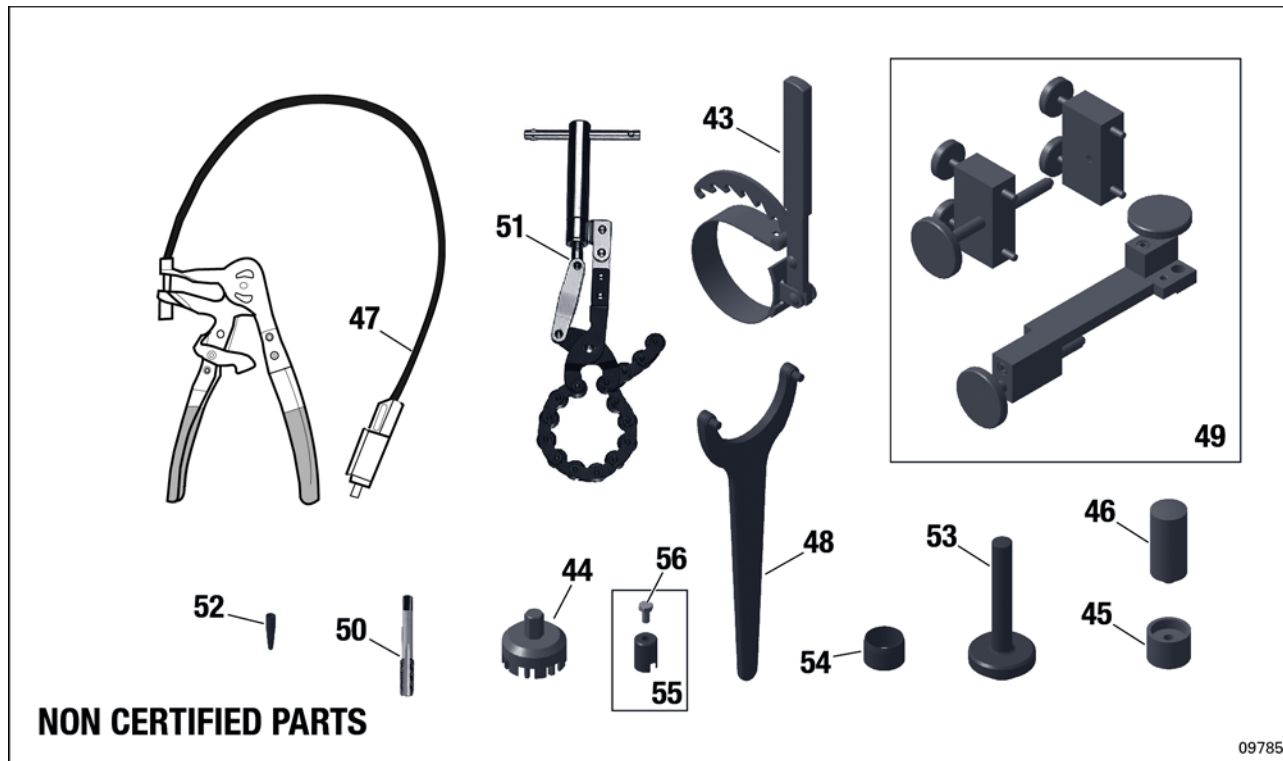
FIG. & ITEM NO.	STATUS	PART NO.	INDENT	Description	Parts per Engine						
					912 A	912 F	912 S	912 UL	912 ULS	914 F	914 UL
29		877445	.1	SOCKET WRENCH ASSY. 41X12.5	1	1	1	1	1	1	1
30		877440	.1	SOCKET WRENCH A/F 41X20	1	1	1	1	1	1	1
31		877460	.1	REDUCING SOCKET 3/4"-1/2"	1	1	1	1	1	1	1
32		877802	.1	CIRCLIP INSTALLATION TOOL	1	1	1	1	1	1	1
33-34		877091	.1	PISTON PIN EXTRACTOR ASSY.	1	1	1	1	1	1	1
34	n.a.	877155	..2	EXTRACTING NUT ASSY.	1	1	1	1	1	1	1
35		976380	.1	MONOHOOK CIRCLIP REMOVER	1	1	1	1	1	1	1
36		876967	.1	PISTON RING SPANNER 84 MM	1	1	1	1	1	1	1
36		876978	.1	PISTON RING SPANNER 79.5 MM	1	1	1	1	1	1	1
37-38		877375	.1	PULLER ASSY.	1	1	1	1	1	1	1
38	n.a.	940755	..2	HEX. SCREW M16X1.5X150	1	1	1	1	1	1	1
39		877417	.1	PROTECTION MUSHROOM	1	1	1	1	1	1	1
40		877790	.1	ADAPTER RING ASSY.	1	1	1	1	1	1	1
41		877380	.1	VALVE SPRING MOUNTING DE- VICE	1	1	1	1	1	1	1
42		877387	.1	VALVE SPRING LOADING JIG	1	1	1	1	1	1	1

- Items not illustrated

d06547.fm

BRP-Rotax
ILLUSTRATED PARTS CATALOG

REPAIR TOOLS



ITEM NO.	Application	ITEM NO.	Application
43	Oil filter removal	50	Thread bent socket
44	Waterpump impeller	51	Oil filter
45	Rotary seal crankcase	52	For O-ring 3.2x1.8 idle mixture screw and idle jet 35
46	Oil Seal 12x30x7 water pump shaft	53	Oil Seal 32x52x7 crankshaft magneto side (ms)
47	Spring type hose clip 28	54	Oil Seal 32x52x7 crankshaft ms
48	Overload clutch	55	For check of float chamber
49	Crankcase	56	For float level gauge

d06547.fm

BRP-Rotax
ILLUSTRATED PARTS CATALOG

REPAIR TOOLS

FIG. & ITEM NO.	STATUS	PART NO.	INDENT	Description	Parts per Engine						
					912 A	912 F	912 S	912 UL	912 ULS	914 F	914 UL
43		877620	.1	OIL FILTER WRENCH 80-110	1	1	1	1	1	1	1
44		877295	.1	IMPELLER WRENCH ASSY.	1	1	1	1	1	1	1
45		877258	.1	INSERTION JIG	1	1	1	1	1	1	1
46		876510	.1	INSERTION JIG	1	1	1	1	1	1	1
47		877840	.1	SPRING CLAMP PLIERS	1	1	1	1	1	1	1
48		877390	.1	NUT SPANNER A90	1	1	1	1	1	1	1
49	n.a. N	877765 877766	.1	CRANKCASE SPLITTING TOOL ASSY.	1a	1a	1a	1a	1a	1a	1a
50		877570	.1	TAPPING DRILL M18X1	1	1	1	1	1	1	1
51		877670	.1	CUTTING TOOL	1	1	1	1	1	1	1
52		877110	.1	GUIDE SLEEVE	1	1	1	1	1	1	1
53		877270	.1	INSERTION JIG ASSY.	1	1	1	1	1	1	1
54		877360	.1	GUIDE SLEEVE	1	1	1	1	1	1	1
55-56		877730	.1	FLOAT LEVEL GAUGE ASSY.	1	1	1	1	1	1	1
56	n.a.	240381	.1	HEX. SCREW M6x12	1	1	1	1	1	1	1

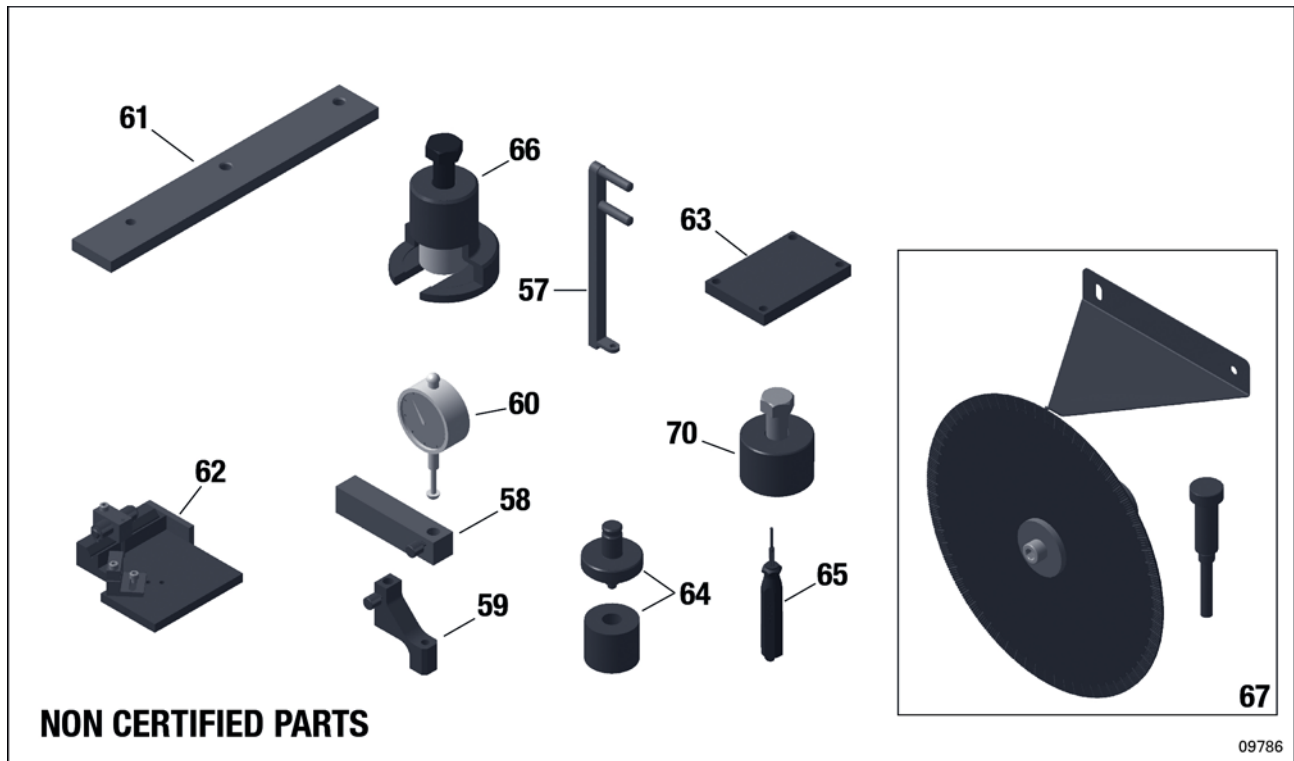
- Items not illustrated

a for all 912 and 914 Series

d06547.fm

BRP-Rotax
ILLUSTRATED PARTS CATALOG

REPAIR TOOLS



ITEM NO.	Application	ITEM NO.	Application
57	Checking of hydraulic valve tappet and valve spring force	63	For aligning cylinders
58	Checking plain bearing protrusion	64	Oil seal 6x11x3/ 4.5 of rev counter housing
59-60	Dial gauge	65	To release the cable on electr. connectors
61	Checking plain bearing position	66	For press in of worm gear, mech. rev counter
62	Dial gauge adapter for valve seat inspect	67	See MM Line chapt. 05-50-00

d06547.fm

BRP-Rotax

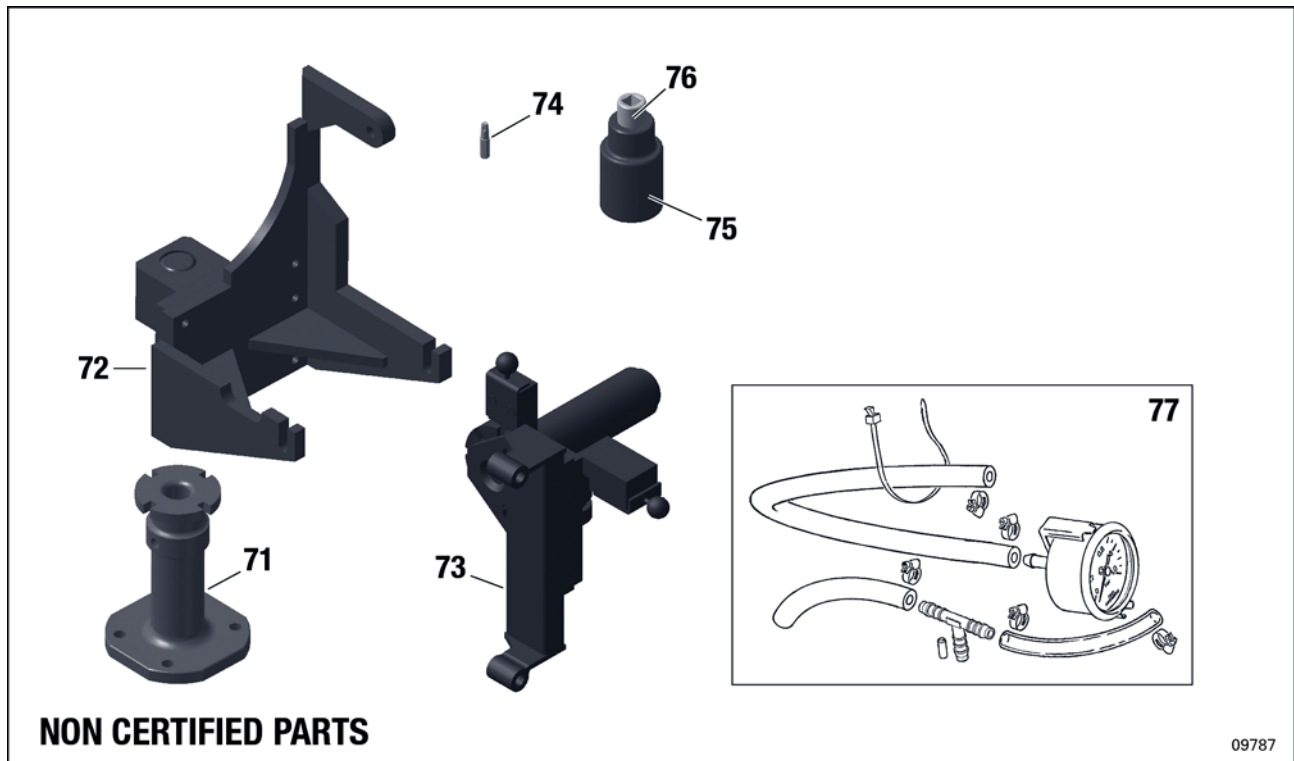
ILLUSTRATED PARTS CATALOG

REPAIR TOOLS

FIG. & ITEM NO.	STATUS	PART NO.	INDENT	Description	Teile pro Motortype /Parts per Engine						
					912 A	912 F	912 S	912 UL	912 ULS	914 F	914 UL
57		877690	.1	CHECK LEVER	1	1	1	1	1	1	1
58		877316	.1	GRADUATED STRAIGHTEDGE ASSY.	1	1	1	1	1	1	1
59		877710	.1	DIAL GAUGE ADAPTER ASSY	1	1	1	1	1	1	1
60		876950	.1	PRECISION DIAL GAUGE	1	1	1	1	1	1	1
61		877300	.1	ALIGNING PLATE	1	1	1	1	1	1	1
62		976140	.1	DIAL GAUGE ADAPTER ASSY.	1	1	1	1	1	1	1
63	s.v. N	877262 877263	.1	CYLINDER ALIGNING TOOL	1	1	1	1	1	1	1
64		877680	.1	INSERTION JIG WITH SLEEVE	1	1	1	1	1	1	1
65		877500	.1	PIN RELEASE TOOL	1	1	1	1	1	1	1
66		877190	.1	PRESS-IN TOOL	1	1	1	1	1	1	1
67		877520	.1	PROTRACTOR CRANKSHAFT DISTORTION INSP.	1	1	1	1	1	1	1

- Items not illustrated

BRP-Rotax
ILLUSTRATED PARTS CATALOG



ITEM NO.	Application	ITEM NO.	Application
70	Slim edition for magneto hub	71	Engine support
72	For engine fixation (912 with engine suspension frame on the gearbox/914)	73	For engine fixation (912/914) without engine suspension frame
74	For magnetic drain plug (old version)	75	Hex. nut (WS 46), crankshaft magneto side
76	1" to 3/4", for socket wrench	77	Measuring fuel pressure

d06547.fm

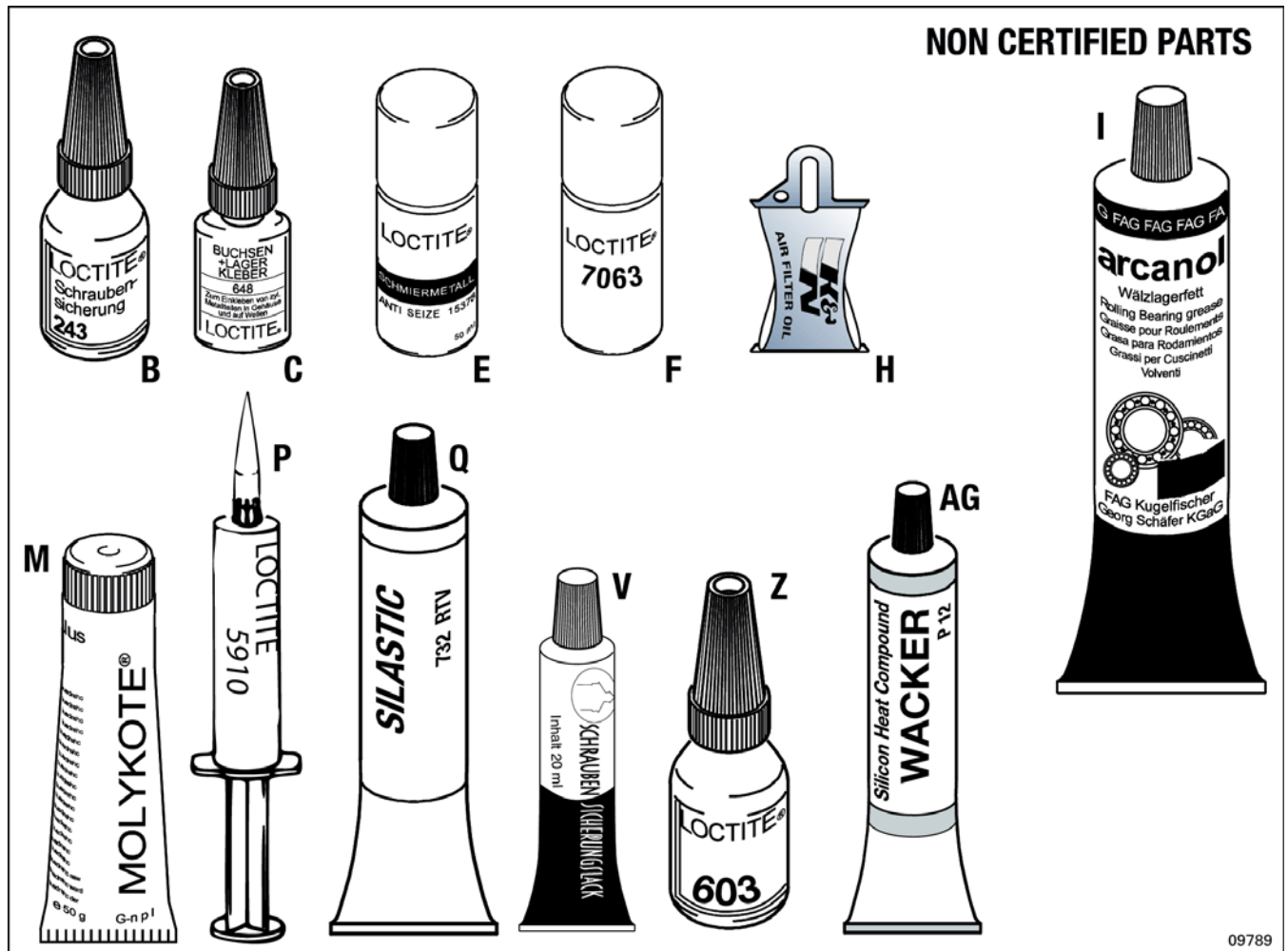
BRP-Rotax
ILLUSTRATED PARTS CATALOG

REPAIR TOOLS

FIG. & ITEM NO.	STATUS	PART NO.	INDENT	Description	Parts per Engine						
					912 A	912 F	912 S	912 UL	912 ULS	914 F	914 UL
70		877377	.1	PULLER ASSY.	1	1	1	1	1	1	1
71		877930	.1	TRESTLE SUPPORT	1	1	1	1	1		
72		877245	.1	TRESTLE ADAPTER ASSY.	1	1	1	1	1	1	1
73		877240	.1	TRESTLE ADAPTER ASSY.	1	1	1	1	1	1	1
74		877890	.1	TORX-BIT T40	1	1	1	1	1	1	1
75		877450	.1	SOCKET WRENCH 46x20	1	1	1	1	1	1	1
76		877465	.1	REDUCING SOCKET 1"-3/4"	1	1	1	1	1	1	1
77	n.a.	874234	.1	FUEL PRESSURE GAUGE	1	1	1	1	1	1	1

d06547.fm

BRP-Rotax
ILLUSTRATED PARTS CATALOG
LUBRICANT TOOLS



09789

ITEM NO.	Application	ITEM NO.	Application
B	Medium strenght bond 10 cc.	E	To prevent metal galling 50 cc.
C	High strenght bond 5 cc.	F	Purpose cleaner and degreaser for residue-free surface preparation prior to adhesive application.
H	Filter oil spray can	Q	Ideal for sealing wire entries and connectors, for vibration damping of exhaust springs

d06547.fm

BRP-Rotax

ILLUSTRATED PARTS CATALOG

ITEM NO.	Application	ITEM NO.	Application
I	To prevent leakage current; 250 gr.	V	Special lacquer which is applied to a screw to prevent an independent loosening of the screw
L	Synthetic long-term grease with excellent low temperature behavior	Z	High strenght bond 10 cc..
M	Solid lubricant paste for the assembly and running-in of metal components	AG	For better heat transfer from the spark plugs
P	Regular body/high adhesion flexible flange sealant		

d06547.fm

BRP-Rotax

ILLUSTRATED PARTS CATALOG

LUBRICANT TOOLS

FIG. & ITEM NO.	STATUS	PART NO.	INDENT	Description	Parts per Engine						
					912 A	912 F	912 S	912 UL	912 ULS	914 F	914 UL
B		897651	.1	LOCTITE 243 BLUE, 10 cc.	AR	AR	AR	AR	AR	AR	AR
C		899788	.1	LOCTITE 648 GREEN, 5 cc.	AR	AR	AR	AR	AR	AR	AR
E		297434	.1	LOCTITE ANTI SEIZE 8151 50 cc.	AR	AR	AR	AR	AR	AR	AR
F	n.a.	xxx	.1	LOCTITE 7063 CLEANER	AR	AR	AR	AR	AR	AR	AR
H		897870	.1	FILTER OIL 14.8 cc.	AR	AR	AR	AR	AR	AR	AR
I		897330	.1	LITHIUM-BASE GREASE, 250 GR.,	AR	AR	AR	AR	AR	AR	AR
L		898351	.1	KLUEBER ISOFLEX TOPAS NB5051 0.5KG	AR	AR	AR	AR	AR	AR	AR
M		297433	.1	MOLYKOTE G-N 100GR.	AR	AR	AR	AR	AR	AR	AR
O	n.a.	xxx	.1	ENGINE OIL	AR	AR	AR	AR	AR	AR	AR
P		899791	.1	LOCTITE 5910, 50 cc.	AR	AR	AR	AR	AR	AR	AR
Q		297386	.1	SILASTIC 732 RTV, 100GR.	AR	AR	AR	AR	AR	AR	AR
V	n.a.	898570	.1	LOCKING PAINT RED	AR	AR	AR	AR	AR	AR	AR
Z		899789	.1	LOCTITE 603 GREEN, 10 cc.	AR	AR	AR	AR	AR	AR	AR
AG		897186	.1	SILICONE HEAT COMPOUND WACKER P12, 150GR.	AR	AR	AR	AR	AR	AR	AR

- Items not illustrated

d06547.fm

BRP-Rotax
 ILLUSTRATED PARTS CATALOG
GASKET SET, DOCUMENTATIONS



8



9



10



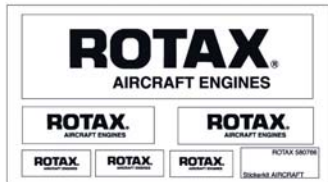
6



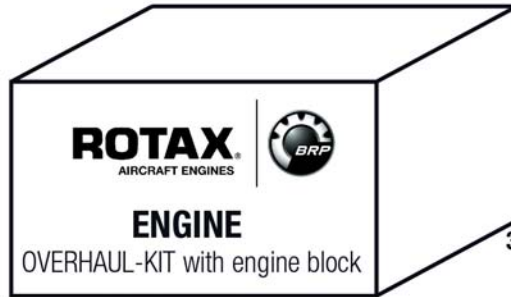
7



11



12

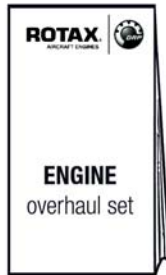


3



09790

1



2



4



5

d06547.fm

BRP-Rotax
ILLUSTRATED PARTS CATALOG
GASKET SET, DOCUMENTATION

FIG. & ITEM NO.	STATUS	PART NO.	INDENT	Description	Parts per Engine						
					912 A	912 F	912 S	912 UL	912 ULS	914 F	914 UL
1		996944	.1	GASKET SET	1a	1a	1a	1a	1a	1a	1a
1		996946	.1	GASKET SET CARBURETOR	1b	1b	1b	1b	1b		
1		996947	.1	GASKET SET CARBURETOR						1b	1b
2		888304	.1	OVERHAUL-KIT	1	1		1			
2		888306	.1	OVERHAUL-KIT			1		1		
2		888308	.1	OVERHAUL-KIT						1	1
3		893240	.1	OVERHAUL-KIT 912-80 HP WITH ENGINE BLOCK	1	1		1			
3		893242	.1	OVERHAUL-KIT 912-100 HP WITH ENGINE BLOCK			1		1		
3		893244	.1	OVERHAUL-KIT 914 WITH ENGINE BLOCK						1	1
4		899700	.1	OPERATORS MANUAL 912 SERIES	1	1	1	1	1		
5		899645	.1	OPERATORS MANUAL 914 SERIES						1	1
6		898643	.1	INSTALLATION MANUAL 912 SERIES	1	1	1	1	1		
7		897817	.1	INSTALLATION MANUAL 914 SERIES						1	1
8		899191	.1	MAINTENANCE MANUAL LINE 912 SERIES	1	1	1	1	1		
9		899608	.1	MAINTENANCE MANUAL LINE 914 SERIES						1	1
10		899603	.1	MAINTENANCE MANUAL HEAVY 912/914 SERIES	1	1	1	1	1	1	1
11		899473	.1	SPARE PARTS CATALOG 912/914 SERIES	1	1	1	1	1	1	1
12		580682	.1	ROTAX STICKER KIT AIRCRAFT	1	1	1	1	1	1	1

- Items not illustrated

d06547.fm

BRP-Rotax

ILLUSTRATED PARTS CATALOG

FIG. & ITEM NO.	STATUS	PART NO.	INDENT	Description	Parts per Engine						
					912 A	912 F	912 S	912 UL	912 ULS	914 F	914 UL
14		889534	.1	MAINTENANCE SET CARBURETOR	2cd	2cd	2cd	2cd	2cd		
14		889536	.1	MAINTENANCE SET CARBURETOR						2ce	2ce
15		881055	.1	ATTACHED PARTS 912	1	1	1	1	1		
16		881057	.1	ATTACHED PARTS 914						1	1
17		481460	.1	SERVICE KIT 100 h	1g	1g	1g	1g	1g		
17		481462	.1	SERVICE KIT 200 h	1h	1h	1h	1h	1h		
17		481470	.1	SERVICE KIT 100 h						1g	1g
17		481472	.1	SERVICE KIT 200 h						1h	1h
18		297997	.1	AEROSHELL SPORT PLUS 4 GEN 2	4f	4f	4f	4f	4f	4f	4f

- Items not illustrated

- a for engines without carburetor gasket set
- b Gasket set for both carburetors
- c Maintenance set for 1 carburetor
- d with cork gasket
- e with paper gasket
- f 1000 ml / 0.26 gal. bottle
- g includes: oil filter, gasket (oil tank), sealing ring, crankshaft locking screw, carburetor float bowl gasket, no oil
- h includes all parts from 100 h kit + spark plugs

d06547.fm

BRP-Rotax
ILLUSTRATED PARTS CATALOG

NOTES

d06548.fm

BRP-Rotax
ILLUSTRATED PARTS CATALOG

912 and 914 series NEW VERSION

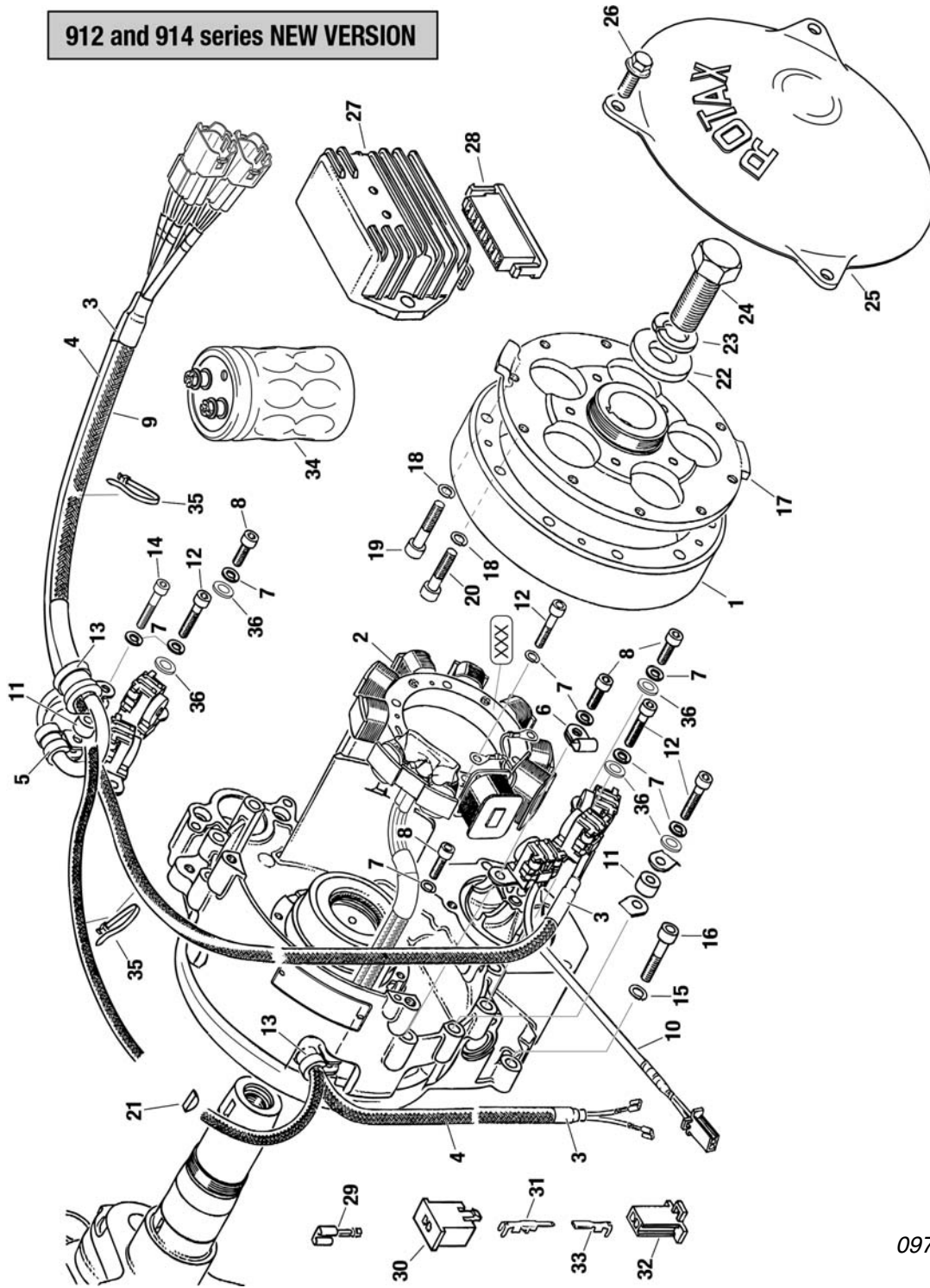


Fig. 24-20-00-1

09774

d06548.fm

BRP-Rotax

ILLUSTRATED PARTS CATALOG

Chapter) 24-20-00

MAGNETO-GENERATOR, PICK UP, RECTIFIER REGULATOR

FIG & ITEM NO.	STATUS	PART NO.	INDENT	Description	Parts per Engine						
					912 A	912 F	912 S	912 UL	912 ULS	914 F	914 UL
1 1		965192	.1	MAGNETO RING	1	1	1	1	1	1	1
2-6		891095	.1	STATOR ASSY.	1b	1b	1b	1b	1b	1b	1b
3		860530	..2	SHRINK HOSE	AR	AR	AR	AR	AR	AR	AR
4	N s.v.	956620 965623	..2	SCREENING METAL BRAID	AR	AR	AR	AR	AR	AR	AR
5		851111	.1	CABLE CLAMP 8/M5	1	1	1	1	1	1	1
6	N s.v.	851566 851565	.1	CABLE CLAMP 7/M5	1	1	1	1	1	1	1
7	N s.v.	945830 945750	.1	LOCK WASHER A5.	12	12	12	12	12	12	12
8	N s.v.	840514 840511	.1	ALLEN SCREW M5x16	4	4	4	4	4	4	4
9,36		965176	.1	TRIGGER COIL KIT 4-POLE	1d	1d	1d	1d	1d	1d	1d
9,36		965179	.1	TRIGGER COIL KIT 6-POLE	1c	1c	1c	1c	1c	1c	1c
10		264087	.1	TRIGGER COIL ASSY.	1e	1e	1e	1e	1e	1e	1e
11		847660	.1	SPACER 5.2/12/7.4	4	4	4	4	4	4	4
12	N s.v.	240187 240186	.1	ALLEN SCREW M5x25	7	7	7	7	7	7	7
13		851250	.1	CABLE CLAMP 15/M5	2	2	2	2	2	2	2
14		940881	.1	ALLEN SCREW M5x30	1	1	1	1	1	1	1
15	N s.v.	827962 827961	.1	WASHER 6.4	7	7	7	7	7	7	7
15	N s.v.	945831 945751	.1	LOCK WASHER A6	7	7	7	7	7	7	7
16		xxxxxx	.1	see Chapt. 75-20-00	7	7	7	7	7	7	7
17	s.v.	966871	.1	FLY WHEEL HUB	1	1	1	1	1		

- Items not illustrated

d06548.fm

BRP-Rotax
ILLUSTRATED PARTS CATALOG

FIG & ITEM NO.	STATUS	PART NO.	INDENT	Description	Parts per Engine						
					912 A	912 F	912 S	912 UL	912 ULS	914 F	914 UL
17		966872	.1	FLY WHEEL HUB	1a	1a	1a	1a	1a		
17		966877	.1	FLY WHEEL HUB						1	1
18		845381	.1	LOCK WASHER A6	10	10	10	10	10	10	10
19		840883	.1	ALLEN SCREW M6x30	5	5	5	5	5	5	5
20		840863	.1	ALLEN SCREW M6x25	5	5	5	5	5	5	5
21		246571	.1	WOODRUFF KEY 4x5	1	1	1	1	1	1	1
22		944073	.1	WASHER 17/36/5	1	1	1	1	1	1	1
23	N s.v.	945769 945768	.1	LOCK WASHER 16	1	1	1	1	1	1	1
24	N s.v.	841602 841601	.1	HEX. SCREW M16x1.5x40	1	1	1	1	1	1	1
25		810980	.1	IGNITION COVER	(1)	(1)	1	(1)	1	1	1
26	N s.v.	640172 640171	.1	HEX. SCHRAUBE M6x16	(3)	(3)	3	(3)	3	3	3
27- 28		965349	.1	RECTIFIER REGULATOR	1	1	1	1	1	1	1
28		965335	..2	CONNECTOR HOUSING	1	1	1	1	1	1	1
29		864011	.1	FASTON CONNECTOR 6.3x0.8	AR	AR	AR	AR	AR	AR	AR
30		265252	.1	CONNECTOR HOUSING, TWO- POLE	AR	AR	AR	AR	AR	AR	AR
31		265272	.1	FASTON CONNECTOR	AR	AR	AR	AR	AR	AR	AR
32		265250	.1	CONNECTOR HOUSING, TWO- POLE	AR	AR	AR	AR	AR	AR	AR
33		265270	.1	FASTON CONNECTOR	AR	AR	AR	AR	AR	AR	AR
34		966590	.1	CAPACITOR, 22000 MYF 25 V	1	1	1	1	1	1	1
35		866710	.1	CLAMP 142x2.5 MM	3	3	3	3	3	3	3
36		827800	.1	WASHER A 5,5	7f	7f	7f	7f	7f	7f	7f

- Items not illustrated

d06548.fm

BRP-Rotax

ILLUSTRATED PARTS CATALOG

- a With modified trigger, instead of 4° before top dead center --> -3° after top dead center
- b SI-912-013 / SI-914-016 standardization of the ignition unit
- c Trigger coil kit with elongated hole for adjustment and 6-pole connector incl. 7 pcs. part no. 827800
- d 4-pole connector and trigger coil without alignment incl. 7 pcs. part no. 827800.
Replaced trigger coil kit part no. 965177.

See Maintenance Manual Heavy of the respective engine type, current issue.

- e Trigger coil for rev. counter to part no. 965176 and part no. 965179
- f At all trigger coils with longhole

d06548.fm

BRP-Rotax
ILLUSTRATED PARTS CATALOG

NOTES

d06548.fm

BRP-Rotax
ILLUSTRATED PARTS CATALOG

NOTES

d06549.fm

BRP-Rotax
ILLUSTRATED PARTS CATALOG

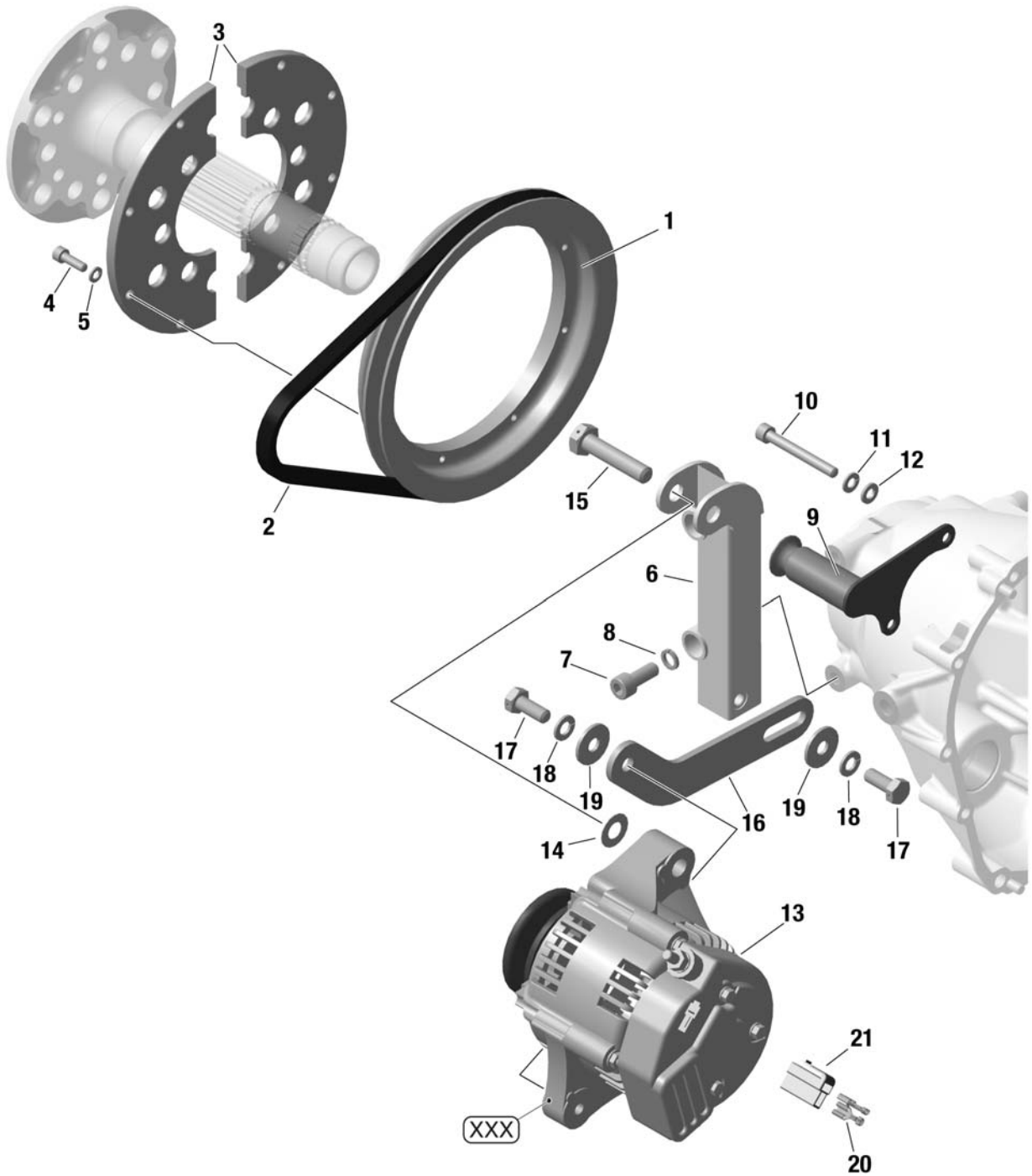


Fig. 24-30-00-1

08765

d06549.fm

BRP-Rotax
ILLUSTRATED PARTS CATALOG

Chapter) 24-30-00
EXTERNAL GENERATOR F3A (ALL PARTS OPTIONAL)

FIG & ITEM NO.	STATUS	PART NO.	INDENT	Description	Parts per Engine						
					912 A	912 F	912 S	912 UL	912 ULS	914 F	914 UL
1 1-21		887254	.1	ALTERNATORSET	1	1	1	1	1	1	1
1		980590	..2	V-BELT PULLEY	1	1	1	1	1	1	1
2		980400	..2	V-BELT 9.5X675	1	1	1	1	1	1	1
3		980605	..2	PULLEY CARRIER	2	2	2	2	2	2	2
4	N s.v.	840514 840511	..2	ALLEN SCREW M5X16	8	8	8	8	8	8	8
5	N s.v.	945830 945750	..2	LOCK WASHER A5	8	8	8	8	8	8	8
6		953222	..2	ALTERNATOR BRACKET AS- SY.	1	1	1	1	1	1	1
7	N s.v.	240072 240071	..2	ALLEN SCREW M8X20	2	2	2	2	2	2	2
8		845310	..2	LOCK WASHER VHZ 8	2	2	2	2	2	2	2
9		953232	..2	ALTERNATOR SUPPORT AS- SY.	1	1	1	1	1	1	1
10	N s.v.	241762 241761	..2	ALLEN SCREW M6X50	2	2	2	2	2	2	2
11	N s.v.	827962 827961	..2	WASHER 6.4	2	2	2	2	2	2	2
11	N s.v.	945831 945751	..2	LOCK WASHER A6	2	2	2	2	2	2	2
12	N s.v.	827962 827961	..2	WASHER 6.4	2	2	2	2	2	2	2
13		887251	..2	ALTERNATOR F3A	1a	1a	1a	1a	1a	1a	1a
14		927952	..2	THRUST WASHER 10.1/20/0.5	1	1	1	1	1	1	1
15		941636	..2	HEX. SCREW M10X45	1	1	1	1	1	1	1
16		953241	..2	TENSION BAR	1	1	1	1	1	1	1
17		940596	..2	HEX. SCREW M8X2	2	2	2	2	2	2	2

- Items not illustrated

d06549.fm

BRP-Rotax
ILLUSTRATED PARTS CATALOG

FIG & ITEM NO.	STATUS	PART NO.	INDENT	Description	Parts per Engine						
					912 A	912 F	912 S	912 UL	912 ULS	914 F	914 UL
18	N s.v.	945832 945752	..2	LOCK WASHER A8	2	2	2	2	2	2	2
19		227935	..2	WASHER 8.4	2	2	2	2	2	2	2
20		864011	..2	FASTON CONNECTOR 6.3X0.8	2	2	2	2	2	2	2
21		265255	..2	CONNECTOR HOUSING 2- POLE	1	1	1	1	1	1	1

- Items not illustrated

a Marked with S/N

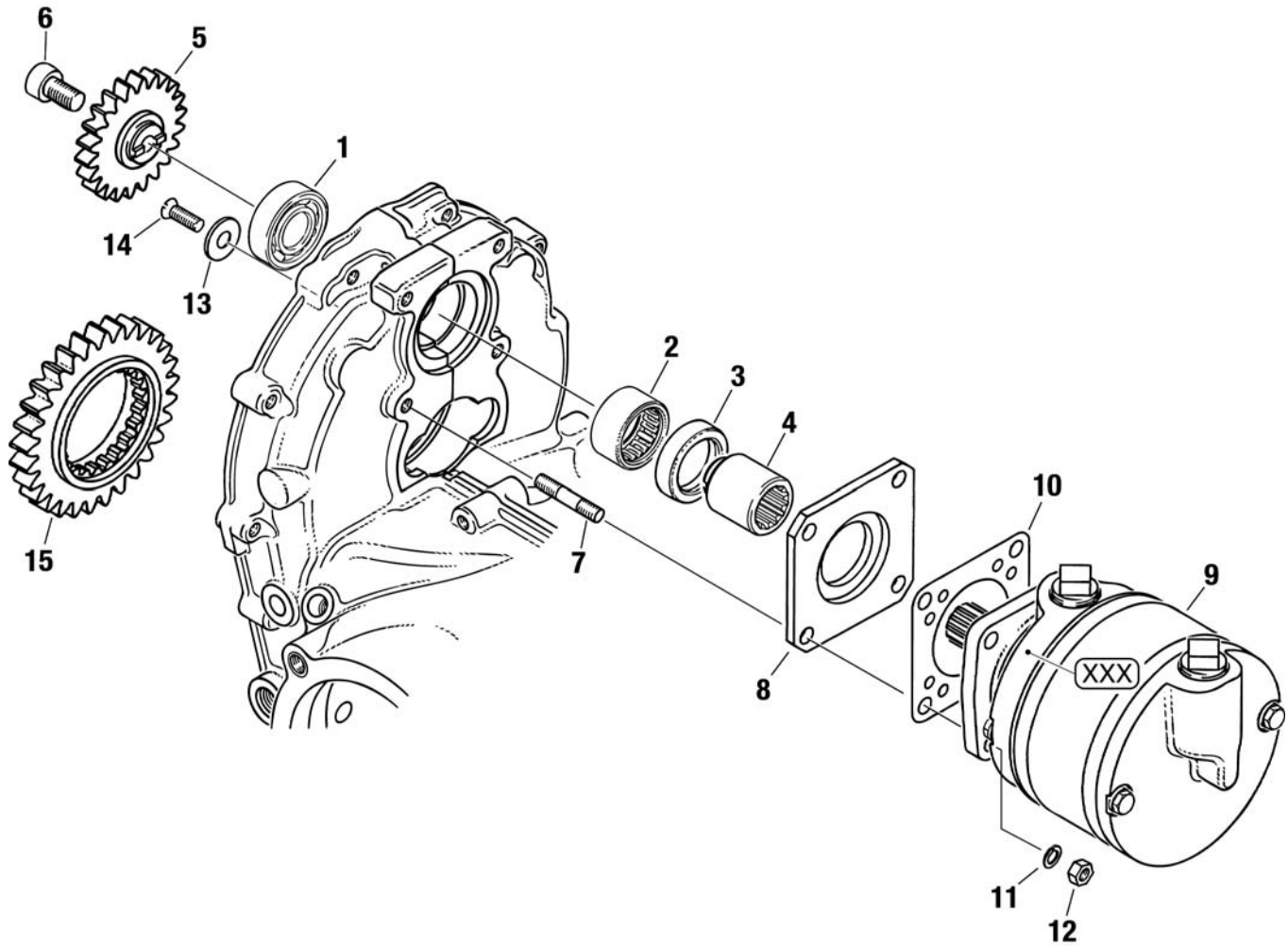
d06549.fm

BRP-Rotax
ILLUSTRATED PARTS CATALOG

NOTES

d06550.fm

BRP-Rotax
ILLUSTRATED PARTS CATALOG



09758

Fig. 37-10-00-1

BRP-Rotax

ILLUSTRATED PARTS CATALOG

Chapter) 37-10-00

VACUUM PUMP WITH DRIVE (ALL PARTS OPTIONAL)

FIG & ITEM NO.	STATUS	PART NO.	IN-DENT	Description	Parts per Engine						
					912 A	912 F	912 S	912 UL	912 ULS	914 F	914 UL
1 1-8		881690	.1	VACUUM PUMP DRIVE RETROFIT KIT	AR	AR	AR	AR	AR	AR	AR
1		832362	..2	BALL BEARING 16002 15-32-8 See chapt. 61-20-00	1	1	1	1	1	1	1
2		232925	..2	NEEDLE SLEEVE 22x28x12 See chapt. 61-20-00	1	1	1	1	1	1	1
3		831265	..2	OIL SEAL AS 22x32x7	1	1	1	1	1	1	1
4		847771	..2	DRIVE SLEEVE, SHORT	1	1	1	1	1	1	1
5		834245	..2	VACUUM PUMP GEAR 22T	1	1	1	1	1	1	1
6		941527	..2	ALLEN SCREW M8x14	1	1	1	1	1	1	1
7		941080	..2	STUD M6X20/10	4	4	4	4	4	4	4
8		810170	..2	ATTACHMENT FLANGE	1	1	1	1	1	1	1
9-10	n.a.		.1	VACUUM PUMP RA211CC	1	1	1	1	1	1	1
10	n.a.		..2	GASKET	1	1	1	1	1	1	1
11	N	827962 827961	.1	WASHER A6.4	4	4	4	4	4	4	4
11	N s.v.	945831 945751	.1	LOCK WASHER A6	4	4	4	4	4	4	4
12		242211	.1	HEX.NUT M6	4	4	4	4	4	4	4
13		xxxxxx	.1	See chapt. 72-20-00	1	1	1	1	1	1	1
14		xxxxxx	.1	See chapt. 72-20-00	1	1	1	1	1	1	1
15		xxxxxx	.1	See chapt. 72-10-00	1	1	1	1	1	1	1

- Items not illustrated

d06550.fm

BRP-Rotax
ILLUSTRATED PARTS CATALOG

NOTES

d06550.fm

BRP-Rotax
ILLUSTRATED PARTS CATALOG

NOTES

d06551.fm

BRP-Rotax
ILLUSTRATED PARTS CATALOG

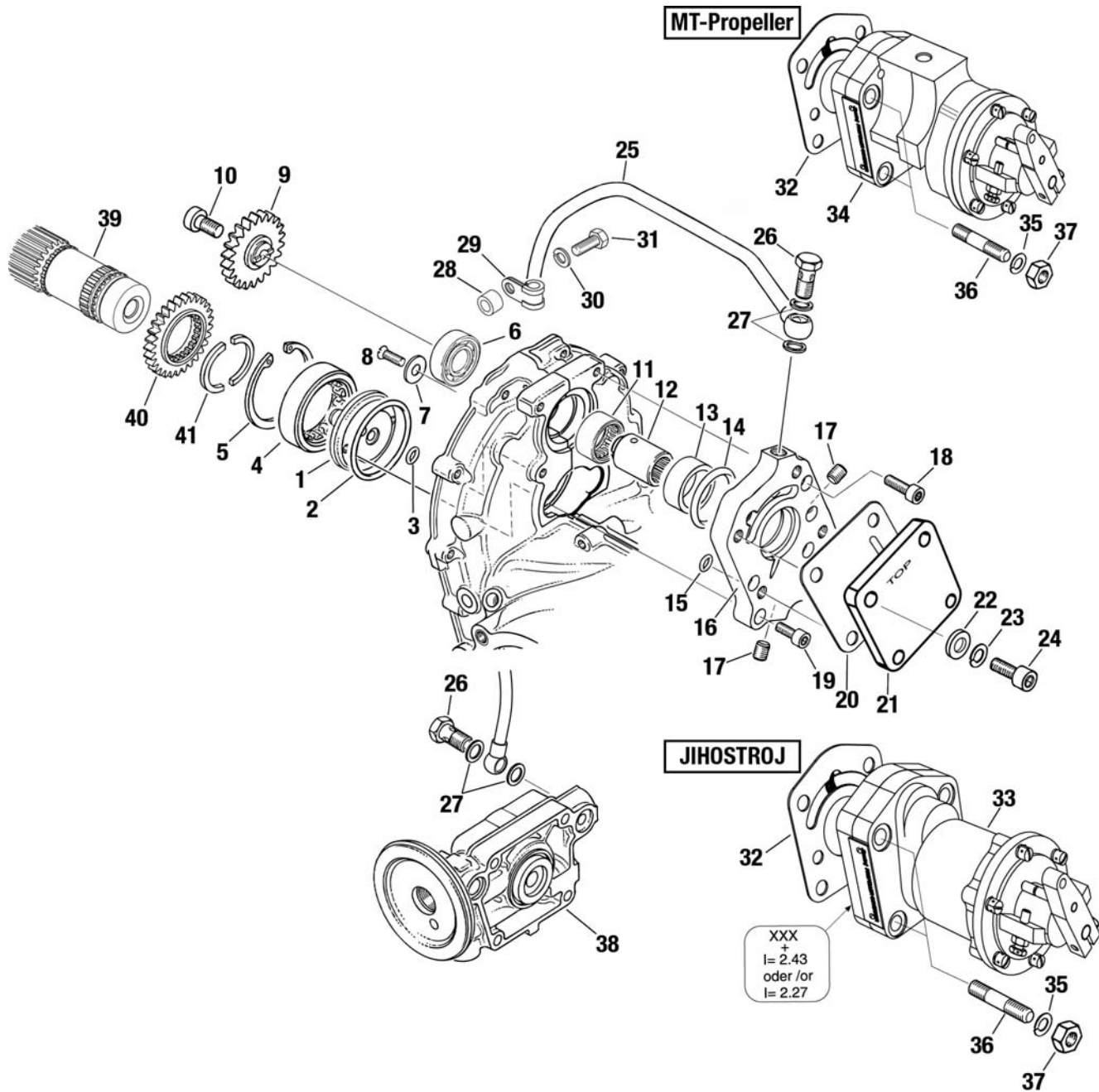


Fig. 61-20-00-1

09759

d06551.fm

BRP-Rotax

ILLUSTRATED PARTS CATALOG

Chapter) 61-20-00

HYDR. GOVERNOR ARRANGEMENT FOR CONSTANT SPEED PROPELLER (OPTIONAL)

FIG & ITEM NO.	STATUS	PART NO.	INDENT	Description	Parts per Engine						
					912 A	912 F	912 S	912 UL	912 ULS	914 F	914 UL
1 1		xxxxxx	.1	See chapt. 72-10-00	1	1	1	1	1	1	1
2		xxxxxx	.1	See chapt. 72-10-00	1	1	1	1	1	1	1
3		830415	.1	O-RING 7x2-N	2	2	2	2	2	2	2
4		xxxxxx	.1	See chapt. 72-10-00	1	1	1	1	1	1	1
5		xxxxxx	.1	See chapt. 72-10-00	1	1	1	1	1	1	1
6		832362	.1	BALL BEARING 16002. 15-32-8	1	1	1	1	1	1	1
7		xxxxxx	.1	See chapt. 72-20-00	1	1	1	1	1	1	1
8		xxxxxx	.1	See chapt. 72-20-00	1	1	1	1	1	1	1
9		834245	.1	VACUUM PUMP GEAR 22 T	1	1	1	1	1	1	1
10	N s.v.	941522 941521	.1	ALLEN SCREW M8x16	1	1	1	1	1	1	1
11		232925	.1	NEEDLE SLEEVE 22x28x12	1	1	1	1	1	1	1
12		847773	.1	DRIVE SLEEVE, LONG	1	1	1	1	1	1	1
13		847802	.1	SPACER 25/31.95/13	1	1	1	1	1	1	1
14		950380	.1	O-RING 32x4-N FPM 75	1	1	1	1	1	1	1
15		830415	.1	O-RING 7x2-N FPM 75	2	2	2	2	2	2	2
16		810294	.1	GOVERNOR FLANGE	1	1	1	1	1	1	1
17		941611	.1	PLUG SCREW M8x1	2	2	2	2	2	2	2
18	N s.v.	241935 241930	.1	ALLEN SCREW M6x20	4	4	4	4	4	4	4
19	N s.v.	241237 241236	.1	ALLEN SCREW M6x16	2	2	2	2	2	2	2
20		931770	.1	GASKET	1	1	1	1	1	1	1
21		926231	.1	COVER	1	1	1	1	1	1	1
22	s.v.	250311	.1	WASHER 8.4	4	4	4	4	4	4	4
22		250315	.1	WASHER 8.4	4	4	4	4	4	4	4

- Items not illustrated

d06551.fm

BRP-Rotax
ILLUSTRATED PARTS CATALOG

FIG & ITEM NO.	STATUS	PART NO.	INDENT	Description	Parts per Engine						
					912 A	912 F	912 S	912 UL	912 ULS	914 F	914 UL
23	N s.v.	945832 945752	.1	LOCKWASHER A8	4	4	4	4	4	4	4
24	N s.v.	240072 240071	.1	ALLEN SCREW M8x20	4	4	4	4	4	4	4
25		956460	.1	PRESSURE OIL LINE ASSY.	1	1	1	1	1	1	1
26		940874	.1	BANJO BOLT M10x1x19	2	2	2	2	2	2	2
27		230150	.1	SEALING RING A 10x14	4	4	4	4	4	4	4
28		847224	.1	DISTANCE SLEEVE 8.4/15/6	1	1	1	1	1	1	1
29		853418	.1	CABLE CLAMP	1	1	1	1	1	1	1
30	N s.v.	945832 945752	.1	LOCK WASHER A8	1	1	1	1	1	1	1
31		240276	.1	HEX. SCREW M8x25	1	1	1	1	1	1	1
32		931372	..2	GASKET	1	1	1	1	1	1	1
33	n.a.		.1	GOVERNOR JIHOSTROJ	1	1	1	1	1	1	1
34	n.a.		.1	GOVERNOR MT-PROPELLER	1	1	1	1	1	1	1
35	N s.v.	945832 945752	.1	LOCK WASHER A8	4	4	4	4	4	4	4
36		840711	.1	STUD M8x21/20	4	4	4	4	4	4	4
37		942674	.1	HEX. NUT M8 (WS 11 mm)	4	4	4	4	4	4	4
38		xxxxxx	.1	See chapt. 79-20-00	1	1	1	1	1	1	1
39		xxxxxx	.1	See chapt. 72-10-00	1	1	1	1	1	1	1
40		xxxxxx	.1	See chapt. 72-10-00	1	1	1	1	1	1	1
41		xxxxxx		See chapt. 72-10-00	1	1	1	1	1	1	1
-		881702	.1	PROP. SHAFT CONFIG. 3 RE- TROFIT KIT	a AR	a AR	a AR	a AR	a AR	a AR	a AR
-		881700	.1	GOVERNOR DRIVE RETROFIT KIT	b AR	b AR	b AR	b AR	b AR	b AR	b AR

- Items not illustrated

- a For retrofitting from version 2 to version 3.
- b For retrofitting, same as 881702 but without propeller shaft.

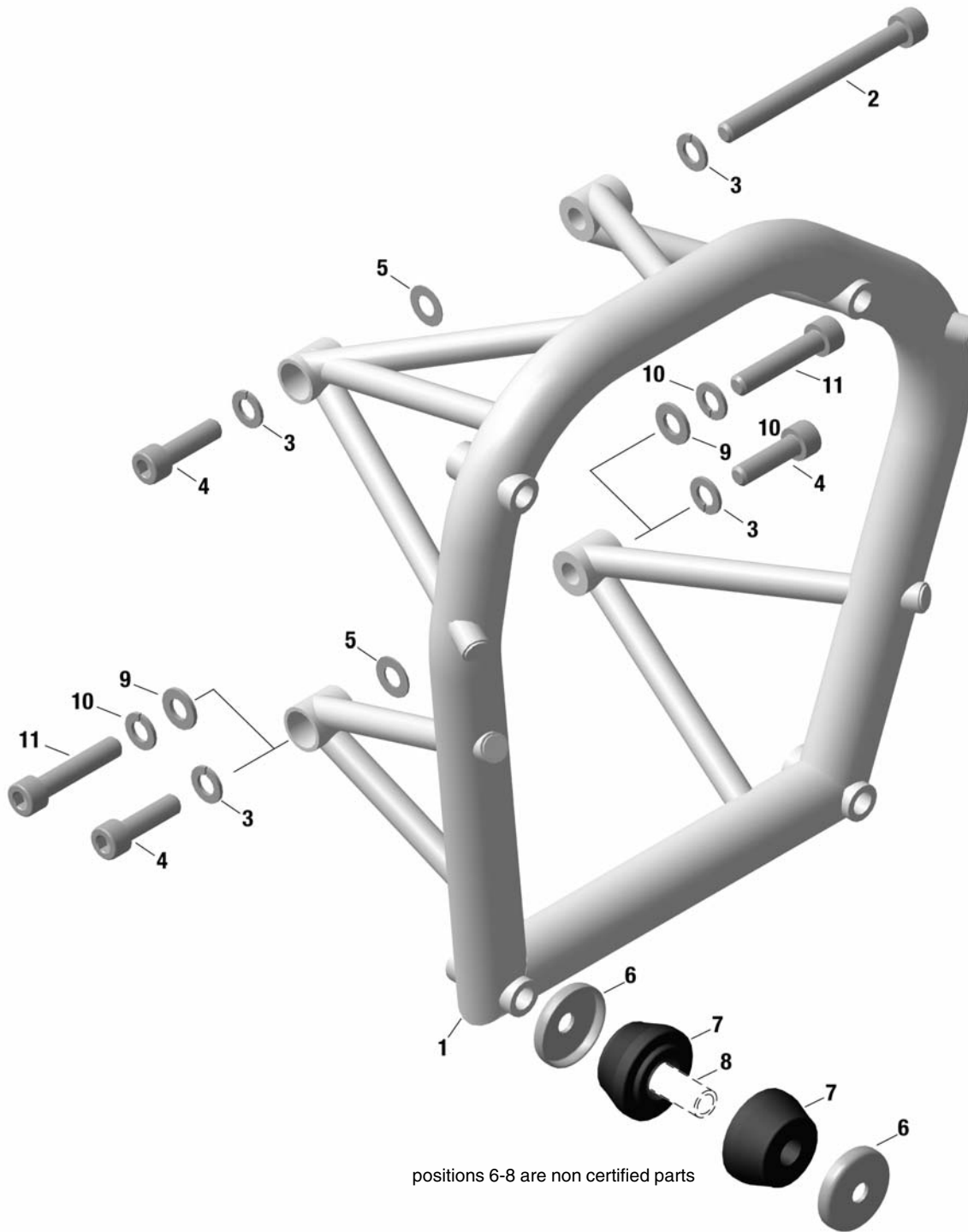
d06551.fm

BRP-Rotax
ILLUSTRATED PARTS CATALOG

NOTES

d06552.fm

BRP-Rotax
ILLUSTRATED PARTS CATALOG



09753

Fig. 71-20-00-1

d06552.fm

BRP-Rotax
ILLUSTRATED PARTS CATALOG

Chapter) 71-20-00
ENGINE SUSPENSION FRAME

FIG & ITEM NO.	STATUS	PART NO.	INDENT	Description	Parts per Engine						
					912 A	912 F	912 S	912 UL	912 ULS	914 F	914 UL
1 1	N	886563	.1	ENGINE SUSPENSION FRAME ASSY.	(1a)	(1a)	(1a)	(1a)	(1a)	(1a)	(1a)
1	s.v.	886561	.1	ENGINE SUSPENSION FRAME ASSY.	(1a)	(1a)	(1a)	(1a)	(1a)	(1a)	(1a)
2		941487	.1	ALLEN SCREW M10x110	(1)	(1)	(1)	(1)	(1)	1	1
3	N s.v.	945833 945753	.1	LOCK WASHER A10	(4)	(4)	(4)	(4)	(4)	4	4
4		840948	.1	ALLEN SCREW M10x35	(3)	(3)	(3)	(3)	(3)	1	1
5		927952	.1	THRUST WASHER 10.1/20/0.5	(AR)	(AR)	(AR)	(AR)	(AR)	AR	AR
5		927953	.1	THRUST WASHER 10.1/20/1.0	(AR)	(AR)	(AR)	(AR)	(AR)	AR	AR
6-7		860695	.1	SHOCK MOUNT SET	(1)	(1)	(1)	(1)	(1)	(1)	(1)
6		944240	..2	CUP WASHER	(8)	(8)	(8)	(8)	(8)	(8)	(8)
7		860690	..2	SHOCK-MOUNT	(8)	(8)	(8)	(8)	(8)	(8)	(8)
8	n.a.		.1	STRUT	4	4	4	4	4	4	4
9		xxxxxx		See chapt. 78-10-00.						2	2
10		xxxxxx		See chapt. 78-10-00.						2	2
11		xxxxxx		See chapt. 78-10-00.						2	2

- Items not illustrated

a See also Service Bulletin SB-912-028 / SB-914-016 current issue

d06552.fm

BRP-Rotax
ILLUSTRATED PARTS CATALOG

NOTES

d06552.fm

BRP-Rotax
ILLUSTRATED PARTS CATALOG

NOTES

d06597.fm

BRP-Rotax
ILLUSTRATED PARTS CATALOG

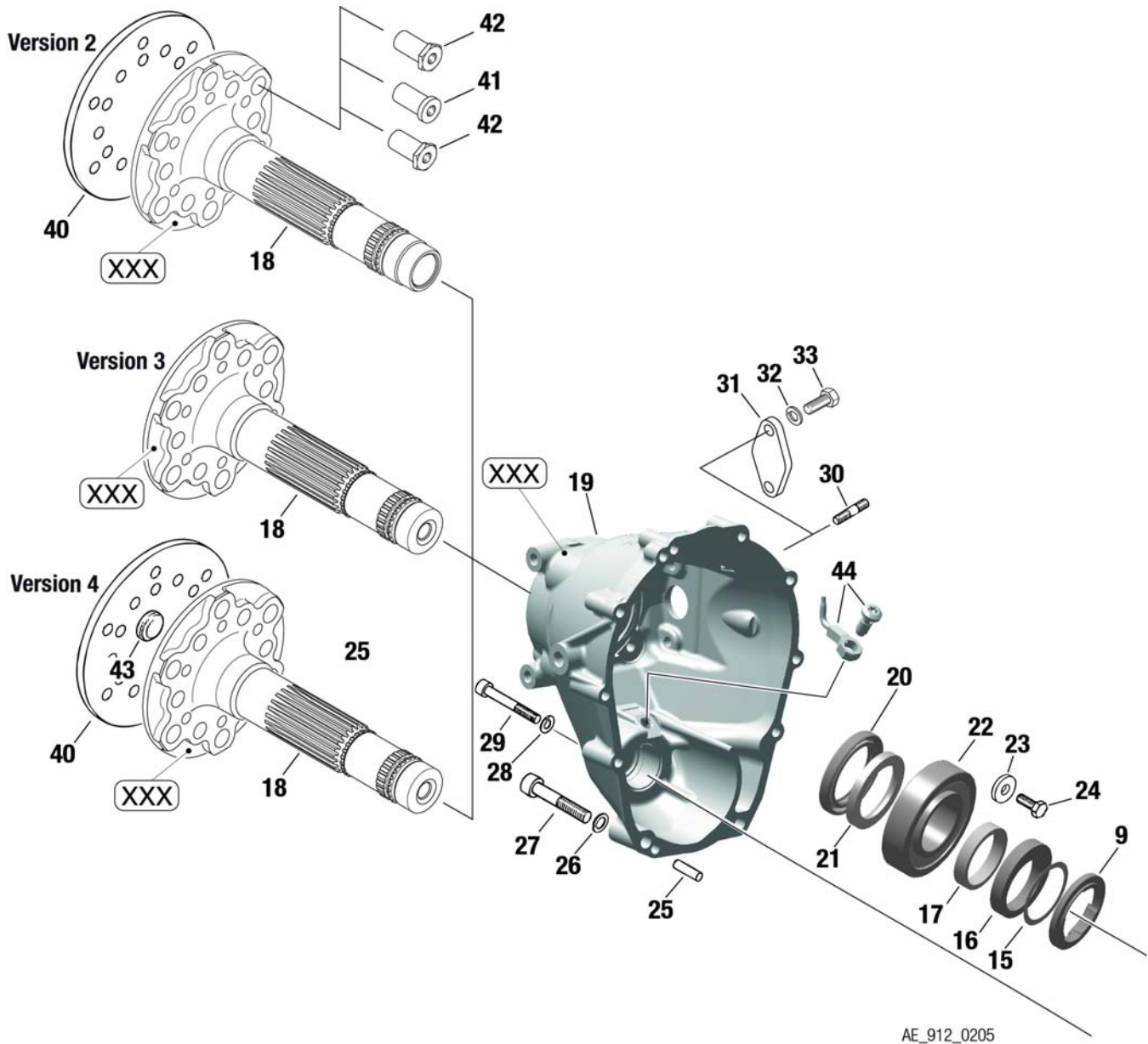


Fig. 72-10-00-1

BRP-Rotax
ILLUSTRATED PARTS CATALOG

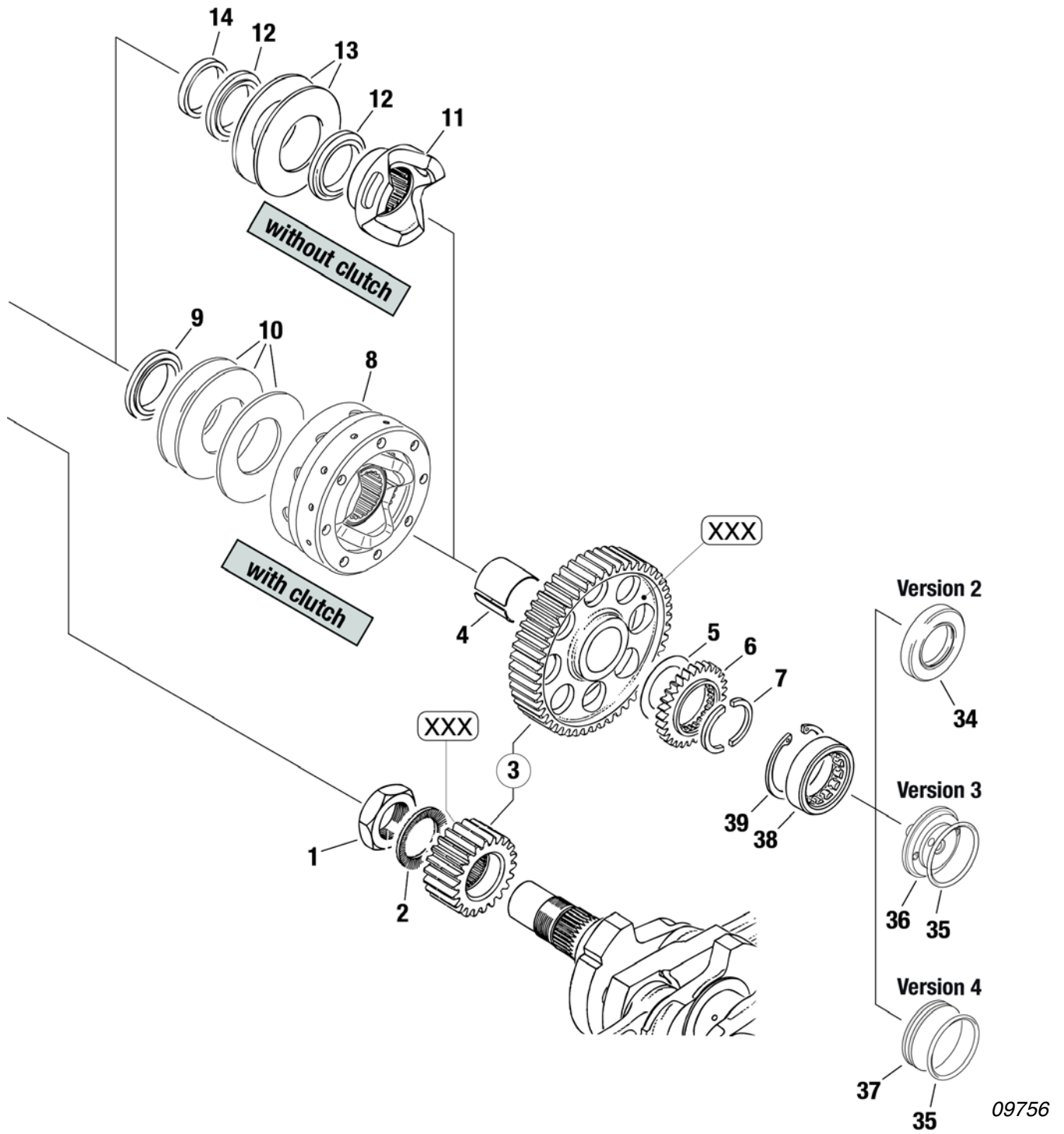


Fig. 72-10-00-2

d06597.fm

BRP-Rotax
ILLUSTRATED PARTS CATALOG

Chapter) 72-10-00
PROPELLER GEAR ASSY.

FIG. & ITEM NO.	STATUS	PART NO.	Description	Parts per Engine						
				912 A	912 F	912 S	912 UL	912 ULS	914 F	914 UL
			I = 2,27							
WITHOUT POS. 1,2,34-39		887281	GEARBOX WITH CLUTCH 2.27-2	1Ap	1Ap		1Ap			
		887271	GEARBOX WITH CLUTCH 2.27-3	1Bp	1Bp		1Bp			
		887286	GEARBOX WITH CLUTCH 2.27-4	1Cp	1Cp		1Cp			
		996605	GEARBOX WITHOUT CLUTCH 2.27-2				1Ap			
		996609	GEARBOX WITHOUT CLUTCH 2.27-4				1Cp			
			I = 2,43							
WITHOUT POS. 1,2,34-39		887708	GEARBOX WITH CLUTCH 2.43-3	1p	1p	1Ep	1p	1Ep	1Ep	1Ep
		887703	GEARBOX WITH CLUTCH 2.43-2	1p	1p	1Dp	1p	1Dp	1Dp	1Dp
		887713	GEARBOX WITH CLUTCH 2.43-4	1p	1p	1Fp	1p	1Fp	1Fp	1Fp
		888560	GEARBOX WITHOUT CLUTCH 2.43-2				1Dp	1Dp		1Dp
		888565	GEARBOX WITHOUT CLUTCH 2.43-4				1Fp	1Fp		1Fp

- Items not illustrated

BRP-Rotax

ILLUSTRATED PARTS CATALOG

FIG. & ITEM NO.	STATUS	PART NO.	Description	Parts per Engine							
				912 A	912 F	912 S	912 UL	912 ULS	914 F	914 UL	
			I = 2,43								
	n.a.	887701	GEARBOX WITH CLUTCH 2.43-2	(1)Aop	(1)Aop		(1)Aop		1Ao	1Aop	
		887703	GEARBOX WITH CLUTCH 2.43-2	(1)Gp	(1)Gp		(1)Gp		1G	1Gp	
	n.a.	887706	GEARBOX WITH CLUTCH 2.43-3	(1)Bop	(1)Bop		(1)Bop		1Bo	1Bop	
		887708	GEARBOX WITH CLUTCH 2.43-3	(1)Hp	(1)Hp		(1)Hp		1H	1Hp	
	n.a.	887711	GEARBOX WITH CLUTCH 2.43-4	(1)Cop	(1)Cop		(1)Cop		1Co	1Cop	
		887713	GEARBOX WITH CLUTCH 2.43-4	(1)lp	(1)lp		(1)lp		1l	1lp	
	n.a.	887680	GEARBOX WITHOUT CLUTCH 2.43-2				1Aop			1Aop	
		888560	GEARBOX WITHOUT CLUTCH 2.43-2				1Jp			1Jp	
	n.a.	887685	GEARBOX WITHOUT CLUTCH 2.43-4				1Cop			1Cop	
		888565	GEARBOX WITHOUT CLUTCH 2.43-4				1Kp			1Kp	

- Items not illustrated

FIG & ITEM NO.	STATUS	PART NO.	INDENT	Description	Parts per Engine						
					912 A	912 F	912 S	912 UL	912 ULS	914 F	914 UL
1, 2	1	842579	.1	HEX. NUT M30x1.5 12MM, LH	1	1	1	1	1	1	1
	2	N	.1	FRICTION WASHER VS30	1	1	1	1	1	1	1
	2	s.v.	.1	FRICTION WASHER VS30	1	1	1	1	1	1	1
	3		.1	GEAR SET I 2.27 narrow	1a	1a		1a			
	3	n.a.	.1	GEAR SET I 2.43 narrow	(1)h	(1)h		(1)h		1h	1h
	3		.1	GEAR SET I 2.43 wide, 7°	1b	1b	1b	1b	1b	1b	1b
	4		.1	BUSHING 31x33x29.8	1	1	1	1	1	1	1
	5		.1	THRUST WASHER 33.2/51/1.2	1	1	1	1	1	1	1
	6		.1	DRIVE GEAR 29 T.	1	1	1	1	1	1	1

d06597.fm

BRP-Rotax
ILLUSTRATED PARTS CATALOG

FIG & ITEM NO.	STATUS	PART NO.	INDENT	Description	Parts per Engine							
					912 A	912 F	912 S	912 UL	912 ULS	914 F	914 UL	
7-10		996888	.1	CLUTCH ASSY. RETROFIT KIT narrow				1f				1fh
7-10		996889	.1	CLUTCH ASSY. RETROFIT KIT wide, 7°					1g			1gb
7		926035	..2	RING HALF	2	2	2	2	2	2	2	2
8		996885	..2	OVERLOAD CLUTCH ASSY. narrow	1m	1m		(1)m			1fh m	1fh m
8		996910	..2	OVERLOAD CLUTCH ASSY. wide,7°	1gm	1gm	1gm	1gm	(1)g m	1g m		(1)g m
9	N s.v.	847787 847786	..2	STEP COLLAR	1p	1p	1p	1p	1p	1p	1p	1p
10		838216	..2	DISK SPRING B80, 80x41x3	3	3	3	3	3	3	3	3
11		958891	.1	DOG HUB narrow				1fl				1fl
11		958893	.1	DOG HUB wide, 7°				1gl	1gl			1gl
12		847786	.1	STEP COLLAR	2	2	2	2	2	2	2	2
13		838216	.1	DISK SPRING B80, 80x41x3	2	2	2	2	2	2	2	2
14		847689	.1	SPACER 35.2/42/6				1	1			1
15		927401	.1	SHIM 35.4/43/0.2	AR	AR	AR	AR	AR	AR	AR	AR
15		927402	.1	SHIM 35.4/43/0.5	AR	AR	AR	AR	AR	AR	AR	AR
15		927403	.1	SHIM 35.4/43/1.0	AR	AR	AR	AR	AR	AR	AR	AR
16		848225	.1	ECCENTER	1	1	1	1	1	1	1	1
17		847687	.1	SPACER 35.2/42/8	1	1	1	1	1	1	1	1
18	N n.a.	837037 837289	.1	PROPELLER SHAFT SEALED	1e	1e	1e	1e	1e	1e	1e	1e
18	N n.a.	837035 837284	.1	PROPELLER SHAFT	1d	1d	1d	1d	1d	1d	1d	1d
18	N s.v.	937036 837285	.1	PROPELLER SHAFT	1c	1c	1c	1c	1c	1c	1c	1c
19		811957	.1	GEAR COVER ASSY.	1np	1np	1np	1np	1np	1np	1np	1np
20		950470	.1	OIL SEAL AS 40x55x7	1	1	1	1	1	1	1	1
21		926022	.1	SPACER RING 36/50/5.5	1	1	1	1	1	1	1	1

d06597.fm

BRP-Rotax

ILLUSTRATED PARTS CATALOG

FIG & ITEM NO.	STATUS	PART NO.	INDENT	Description	Parts per Engine						
					912 A	912 F	912 S	912 UL	912 ULS	914 F	914 UL
22		832578	.1	BALL BEARING 6207E TN6, 35-72-17	1	1	1	1	1	1	1
23		944320	.1	WASHER 7.2/18.8/3	4	4	4	4	4	4	4
24		941760	.1	HEX. SCREW M7x16	4	4	4	4	4	4	4
25		429230	.1	DOWEL 6x20	2	2	2	2	2	2	2
26	s.v.	944131	.1	WASHER 8	2q	2q	2q	2q	2q	2q	2q
27	s.v.	841562	.1	ALLEN SCREW M8x45	2q	2q	2q	2q	2q	2q	2q
27	s.v.	841561	.1	ALLEN SCREW M8x45	2q	2q	2q	2q	2q	2q	2q
27	N	940077	.1	HEX./TORX SCREW M8x45	2	2	2	2	2	2	2
28	N	827962	.1	WASHER A6.4	8	8	8	8	8	8	8
28	s.v.	945751	.1	LOCK WASHER A6	8	8	8	8	8	8	8
29	N	241823	.1	ALLEN SCREW M6x45	8	8	8	8	8	8	8
	s.v.	241821									
30		940361	.1	STUD M8x23/14	2	2	2	2	2		
31		926151	.1	COVER						1	1
32	N	945832	.1	LOCK WASHER A8	2	2	2	2	2	2	2
	s.v.	945752									
33	N	940592	.1	HEX. SCREW M8x20						2k	2k
	s.v.	940591									
34		950200	.1	OIL SEAL 30x52x7	1	1	1	1	1	1	1
35		430175	.1	O-RING 46x3	1	1	1	1	1	1	1
36		810301	.1	OIL INLET FLANGE	1	1	1	1	1	1	1
37		810306	.1	OIL INLET COVER	1	1	1	1	1	1	1
38		232241	.1	ROLLER BEARING NJ 205 ECP C3	1	1	1	1	1	1	1
39		945820	.1	RETAINING RING 52x2	1	1	1	1	1	1	1
40		827837	.1	COVER DISK	AR	AR	AR	AR	AR	AR	AR
41		842634	.1	ROUND-NECK NUT SET M8	1i	1i	1i	1i	1i	1i	1i
42		842638	.1	ROUND-NECK NUT SET 5/16- 24 UNF	1i	1i	1i	1i	1i	1i	1i

d06597.fm

BRP-Rotax
ILLUSTRATED PARTS CATALOG

FIG & ITEM NO.	STATUS	PART NO.	INDENT	Description	Parts per Engine						
					912 A	912 F	912 S	912 UL	912 ULS	914 F	914 UL
42		842639	.1	ROUND-NECK NUT SET 5/16-20 UNF	1i	1i	1i	1i	1i	1i	1i
43		244980	.1	SEALING COVER	1	1	1	1	1	1	1
44		456520	.1	OIL SPRAY NOZZLE ASSY.	1p	1p	1p	1p	1p	1p	1p

A For version 2 with narrow dog gear (22 mm / 0.87 in.)

B For version 3 with narrow dog gear (22 mm / 0.87 in.)

C For version 4 with narrow dog gear (22 mm / 0.87 in.)

D For version 2 with wide dog gear (27 mm / 1.06 in.); For 914 use only from following engine S/N:

914 F: 4420164

914 UL: 4417791

E For version 3 with wide dog gear (27 mm / 1.06 in.); For 914 use only from following engine S/N:

914 F: 4420164

914 UL: 4417791

F For version 4 with wide dog gear (27 mm / 1.06 in.); For 914 use only from following engine S/N:

914 F: 4420164

914 UL: 4417791

G Replacement for 887701 with wide dog gear

H Replacement for 887706 with wide dog gear

I Replacement for 887711 with wide dog gear

J Replacement for 887680 with wide dog gear

K Replacement for 888565 with wide dog gear

a Drive gear 22 T. and reduction gear 50 T. are paired and must be replaced together and marked with S/N. See SL-912-002 resp. SL-914-002.

b Drive gear 21 T. and reduction gear 51 T. are paired and must be replaced together and marked with S/N. With wide dog gear (27 mm / 1.06 in.); See SL-912-002 resp. SL-914-002; For 914 use only from following engine S/N:

912 S: starting with serial production

912 ULS: starting with serial production

914 F: 4420164

914 UL: 4417791

c For model 2 marked with S/N

d For model 3 marked with S/N

e For model 4 marked with S/N

f For gear sets part no. 886125 and 886517; (narrow versions)

g For gear set part no. 886518; (wide version)

d06597.fm

BRP-Rotax

ILLUSTRATED PARTS CATALOG

h Drive gear 21 T. and reduction gear 51 T. are paired and must be replaced together and marked with S/N. With thin dog gear (22 mm / 0.87 in.); See SL-912-002 resp. SL-014-002; For 914 use only up to S/N:

914 F: 4420163

914 UL: 4417790

i Do not use at version with auxiliary alternator; only available as a set (includes 6 pieces).

j Only when a governor is used;

k Version without governor: 2x940.591; with governor: see chapt. 61-20-00

l Dog hub with extended hub

m With additional bores to drain lead

n Increased support bearing diameter

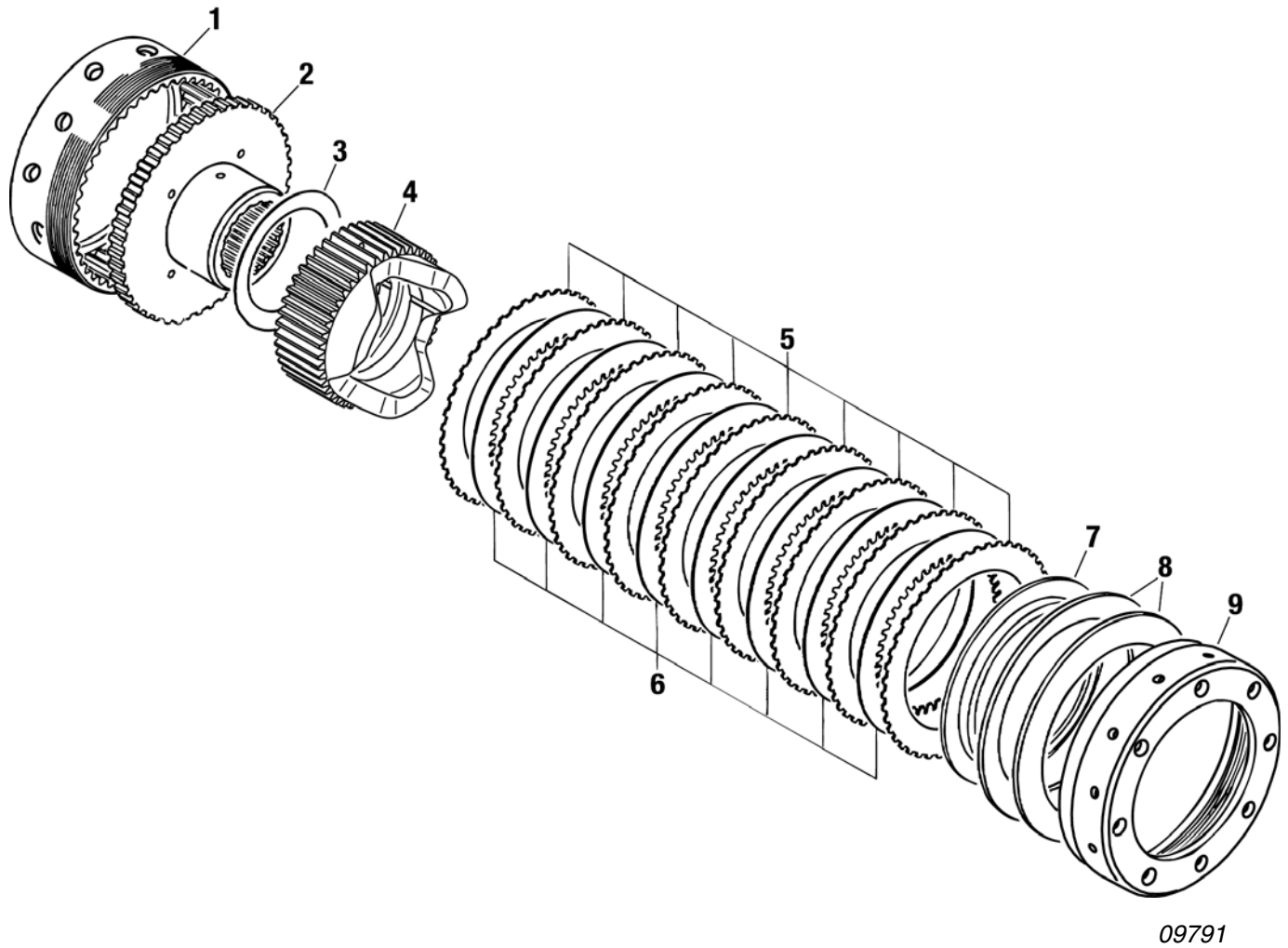
o See SL-912-002 current issue

p Gearbox with oil spray nozzle.

Starting with Gearbox SN 74000.

q Replaced by hex. torx screw part no. 940077.

BRP-Rotax
ILLUSTRATED PARTS CATALOG



09791

Fig. 72-10-00-3

BRP-Rotax

ILLUSTRATED PARTS CATALOG

Chapter) 72-10-00 OVERLOAD CLUTCH

FIG. & ITEM NO.	STATUS	PART NO.	INDENT	Description	Parts per Engine						
					912 A	912 F	912 S	912 UL	912 ULS	914 F	914 UL
3 1-9		xxxxxx	.1	OVERLOAD CLUTCH ASSY. narrow ,see chapt. 72-10-00 page 6	1	1		1		1	1
1-9		xxxxxx	.1	OVERLOAD CLUTCH ASSY. wide, 7° ,see chapt. 72-10-00 page 6	1	1	1	1	1	1	1
1		958912	..2	CLUTCH DRUM	1c	1c	1c	1c	1c	1c	1c
2		958905	..2	CLUTCH HUB	1	1	1	1	1	1	1
3		944080	..2	THRUST WASHER 45.2/60/1	1	1	1	1	1	1	1
4		958920		DOG HUB narrow	1a	1a		1a		1a	1a
4		958924	..2	DOG HUB wide, 7°	(1d)	(1d)	1b	(1d)	1b	1b	1b
5		958932	..2	STEEL FRICTION PLATE 1.0 MM	9	9	9	9	9	9	9
6		958945	..2	SINTER FRICTION PLATE 1.8 MM	8	8	8	8	8	8	8
7		958951	..2	SUPPORT RING	1	1	1	1	1	1	1
8		838161	..2	DISK SPRING 100X76X2.7	2	2	2	2	2	2	2
9		842644	..2	COLLAR NUT M102X1.5	1ce	1ce	1ce	1ce	1ce	1ce	1ce

- Items not illustrated

- a For gear sets part no. 886125, 886517; thin dog gear (22 mm / 0.87 in.)
- b For gear set part no. 886518; wide dog gear (27 mm / 1.06 in.)
- c With additional bores to drain lead
- d Option for 912 A,F, UL fitted with 2,43 gear set
- e Improved centering of disc springs.

d06597.fm

BRP-Rotax
ILLUSTRATED PARTS CATALOG

NOTES

d06597.fm

BRP-Rotax
ILLUSTRATED PARTS CATALOG

NOTES

d06598.fm

BRP-Rotax
ILLUSTRATED PARTS CATALOG

up to crankcase S/N: 27811

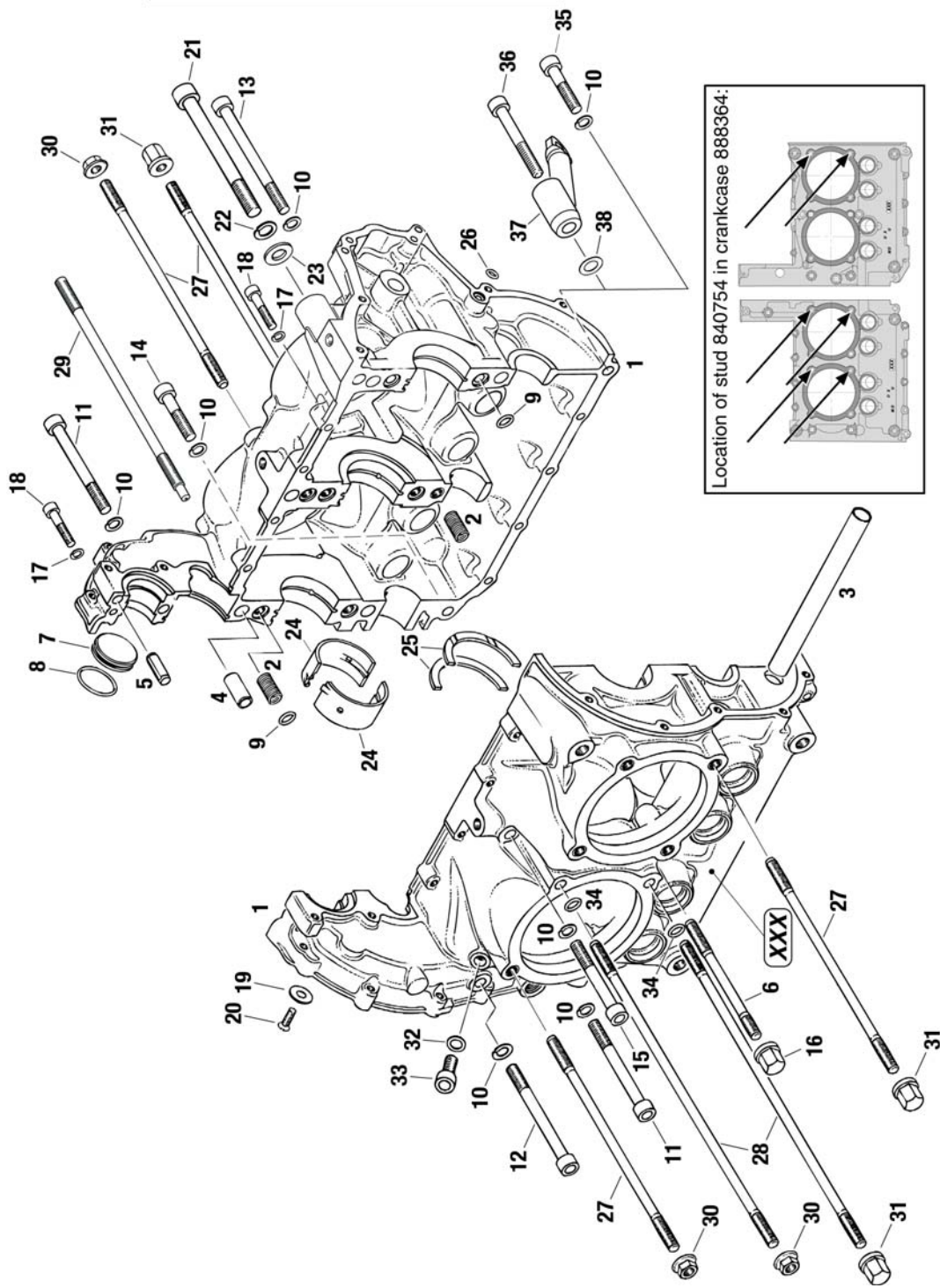


Fig. 72-20-00-1

09764

d06598.fm

BRP-Rotax

ILLUSTRATED PARTS CATALOG

**Chapter) 72-20-00
CRANKCASE**

FIG. & ITEM NO.	STATUS	PART NO.	INDENT	Description	Parts per Engine						
					912 A	912 F	912 S	912 UL	912 ULS	914 F	914 UL
1 1	n.a.	xxxxxx	.1	CRANKCASE SET	1af	1af	1af	1af	1af	1af	1af
2		842655	.1	HELI-COIL THREAD INSERT M8x20	8	8	8	8	8	8	8
3		924451	.1	OIL TUBE	1	1	1	1	1	1	1
4		929951	.1	DOWEL 10.8x25	5	5	5	5	5	5	5
5		929845	.1	PIN D8x20	1	1	1	1	1	1	1
6		840191	.1	STUD M8x105	1f	1f	1f	1f	1f	1f	1f
7		944222	.1	BLINDING SHIM	1b	1b	1b	1b	1b	1b	1b
8		430061	.1	O-RING 26.7x1.8	1b	1b	1b	1b	1b	1b	1b
9		850902	.1	O-RING 9x2	7	7	7	7	7	7	7
10	N s.v.	945832 945752	.1	LOCK WASHER A8	8	8	8	8	8	7	7
11		440217	.1	ALLEN SCREW M8x80	2	2	2	2	2	2	2
12		640932	.1	ALLEN SCREW M8x90	1	1	1	1	1	1	1
13		440427	.1	ALLEN SCREW M8x100	2	2	2	2	2	2	2
14		640942	.1	ALLEN SCREW M8x45	1f	1f	1f	1f	1f	1f	1f
15		841847	.1	ALLEN SCREW M8x65	1f	1f	1f	1f	1f	1f	1i
16		842471	.1	COLLAR CAP NUT M8	1	1	1	1	1	1	1
17	N	827962	.1	WASHER A6.4	9	9	9	9	9	9	9
17	N	945831	.1	LOCK WASHER A6	9	9	9	9	9	9	9
18		840887	.1	ALLEN SCREW M6x30	9	9	9	9	9	9	9
19		227280	.1	THRUST WASHER	1	1	1	1	1	1	1
20		940315	.1	COUNTERSUNK SCREW M5x12	1	1	1	1	1	1	1
21		941487	.1	ALLEN SCREW M10x110	1	1	1	1	1	1	1
21		941557	.1	ALLEN SCREW M10x150	(1)	(1)	(1)	(1)	(1)		

- Items not illustrated

d06598.fm

BRP-Rotax

ILLUSTRATED PARTS CATALOG

FIG. & ITEM NO.	STATUS	PART NO.	INDENT	Description	Parts per Engine						
					912 A	912 F	912 S	912 UL	912 ULS	914 F	914 UL
22	N s.v.	945833 945753	.1	LOCK WASHER A10	1	1	1	1	1	1	1
23	N s.v.	927411 927410	.1	WASHER 10.5	1	1	1	1	1	1	1
24		933870	.1	PLAIN BEARING "C"	6c	6c	6c	6c	6c	6c	6c
24		933871	.1	PLAIN BEARING "D"	6d	6d	6d	6d	6d	6d	6d
25		933335	.1	RING HALF	2	2	2	2	2	2	2
26		831929	.1	O-RING 5x2	1	1	1	1	1	1	1
27		840752	.1	STUD M8x201	14e	14e	14e	14e	14e	14e	14e
28		840757	.1	STUD M8x291	2	2	2	2	2	2	2
29		840754	.1	STUD M8x210	6e	6e	6e	6e	6e	6e	6e
30	s.v.	842610	.1	HEX. NUT M8	8	8	8	8	8	8	8
30		942301	.1	COLLAR NUT M8	8j	8j	8j	8j	8j	8j	8j
31	s.v.	842471	.1	COLLAR CAP NUT M8	8	8	8	8	8	8	8
31		842476	.1	COLLAR CAP NUT M8	8j	8j	8j	8j	8j	8j	8j
32		950141	.1	GASKET RING A 8x13	1	1	1	1	1	1	1
33	N s.v.	240072 240071	.1	ALLEN SCREW M8x20	1	1	1	1	1	1	1
34		830415	.1	O-RING 7x2	2g	2g	2	2g	2	2g	2g
35		640942	.1	ALLEN SCREW M8x45	1	1	1	1	1		
36		440107	.1	ALLEN SCREW M8x50						1	1
37		xxxxxx	.1	See chapt. 78-10-00 fig. 3						1	1
38		926400	.1	WASHER 8.4/15/0.5						AR	AR
38		926401	.1	WASHER 8.4/15/1						AR	AR
38		926402	.1	WASHER 8.4/15/1.5						AR	AR

- Items not illustrated

d06598.fm

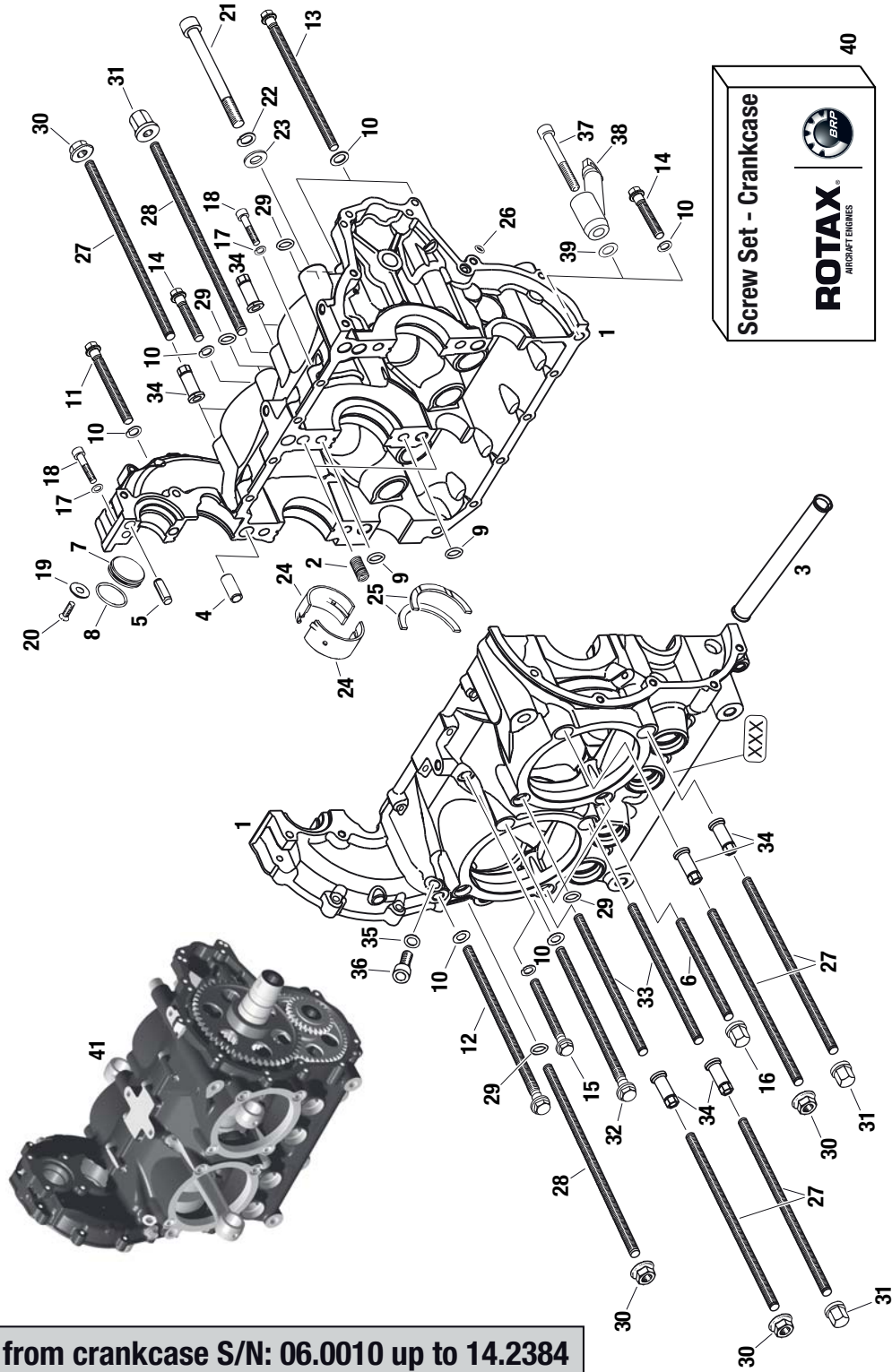
BRP-Rotax
ILLUSTRATED PARTS CATALOG

NOTES

d06598.fm

BRP-Rotax

ILLUSTRATED PARTS CATALOG



from crankcase S/N: 06.0010 up to 14.2384

Fig. 72-20-00-2

09765

d06598.fm

BRP-Rotax

ILLUSTRATED PARTS CATALOG

Chapter) 72-20-00

CRANKCASE

FIG. & ITEM NO.	STATUS	PART NO.	INDENT	Description	Parts per Engine						
					912 A	912 F	912 S	912 UL	912 ULS	914 F	914 UL
2 1		892653	.1	CRANKCASE SET	1hf	1hf	1hf	1hf	1hf	1hf	1hf
2		842655	..2	HELI-COIL THREAD INSERT M8x20	2	2	2	2	2	2	2
3		924451	..2	OIL TUBE	1	1	1	1	1	1	1
4		929951	..2	DOWEL 10.8x25	5	5	5	5	5	5	5
5		929845	..2	PIN D8x20	1	1	1	1	1	1	1
6		840191	..2	STUD M8x105	1	1	1	1	1	1	1
7		944222	..2	BLINDING SHIM	1b	1b	1b	1b	1b	1b	1b
8		430061	..2	O-RING 26.7x1.8	1b	1b	1b	1b	1b	1b	1b
9		850902	..2	O-RING 9x2	2	2	2	2	2	2	2
10		944131	..2	WASHER 8	8f	8f	8f	8f	8f	7f	7f
11		840061	..2	ALLEN SCREW M8x80	1	1	1	1	1	1	1
12		840091	..2	HEX. COLLAR SCREW M8x140-SW10	1	1	1	1	1	1	1
13		840101	..2	HEX. COLLAR SCREW M8x150-SW10	2	2	2	2	2	2	2
14		940071	..2	HEX. COLLAR SCREW M8x45-SW10	2	2	2	2	2	2	2
15		440406	..2	HEX. COLLAR SCREW M8x65-SW10	1	1	1	1	1	1	1
16		842476	..2	COLLAR CAP NUT M8	1	1	1	1	1	1	1
17	N	827962	..2	WASHER A6.4	9	9	9	9	9	9	9
17	s.v.	945751	..2	LOCK WASHER A6	9	9	9	9	9	9	9
18		840887	..2	ALLEN SCREW M6x30	9	9	9	9	9	9	9
19		227280	..2	THRUST WASHER	1	1	1	1	1	1	1
20		940315	..2	COUNTERSUNK SCREW M5x12	1	1	1	1	1	1	1

- Items not illustrated

d06598.fm

BRP-Rotax

ILLUSTRATED PARTS CATALOG

FIG. & ITEM NO.	STATUS	PART NO.	INDENT	Description	Parts per Engine						
					912 A	912 F	912 S	912 UL	912 ULS	914 F	914 UL
21		941487	..2	ALLEN SCREW M10x110	1	1	1	1	1	1	1
21		941557	..2	ALLEN SCREW M10x150	(1)	(1)	(1)	(1)	(1)		
22	N s.v.	945833 945753	..2	LOCK WASHER A10	1	1	1	1	1	1	1
23	N s.v.	927411 927410	..2	WASHER 10.5	1	1	1	1	1	1	1
24		933870	.1	PLAIN BEARING "C"	6cf	6cf	6cf	6cf	6cf	6cf	6cf
24		933871	.1	PLAIN BEARING "D"	6df	6df	6df	6df	6df	6df	6df
25		933335	.1	RING HALF	2	2	2	2	2	2	2
26		831929	.1	O-RING 5x2	1	1	1	1	1	1	1
27		840141	.1	STUD M8x186	8	8	8	8	8	8	8
28		840171	.1	STUD M8x200	8	8	8	8	8	8	8
29		431570	.1	O-RING 10.82x1,78	8i	8i	8i	8i	8i	8i	8i
29		431411	.1	GASKET	ARh	ARh	ARh	ARh	ARh	ARh	ARh
30	s.v.	842610	.1	HEX. NUT M8	8	8	8	8	8	8	8
30		942301	.1	COLLAR NUT M8	8j	8j	8j	8j	8j	8j	8j
31	s.v.	842471	.1	COLLAR CAP NUT M8	8	8	8	8	8	8	8
31		842476	.1	COLLAR CAP NUT M8	8j	8j	8j	8j	8j	8j	8j
32		440686	..2	HEX. COLLAR SCREW M8x130	1	1	1	1	1	1	1
33		840131	..2	STUD M8x138	2	2	2	2	2	2	2
34		929116	..2	THREAD SLEEVE M8	8	8	8	8	8	8	8
35		950141	.1	GASKET RING A 8x13	1	1	1	1	1	1	1
36	N s.v.	240072 240071	.1	ALLEN SCREW M8x20	1	1	1	1	1	1	1
37		440107	..2	ALLEN SCREW M8x50						1f	1f
38		xxxxxx	.1	See chapt. 78-10-00 fig. 3						1	1
39		926400	.1	WASHER 8.4/15/0.5						AR	AR

- Items not illustrated

d06598.fm

BRP-Rotax

ILLUSTRATED PARTS CATALOG

FIG. & ITEM NO.	STATUS	PART NO.	INDENT	Description	Parts per Engine						
					912 A	912 F	912 S	912 UL	912 ULS	914 F	914 UL
39		926401	.1	WASHER 8.4/15/1						AR	AR
39		926402	.1	WASHER 8.4/15/1.5						AR	AR
40		881120	.1	SCREW SET-CRANKCASE	1f	1f	1f	1f	1f	1f	1f
41		300091202	.1	ENGINE BLOCK			1		1		
41		300091401		ENGINE BLOCK	1	1		1		1	1

- Items not illustrated

- a marked with S/N
- b Only for model 2 and 4
- c Tolerance group „C“ 1.820 - 1.829 mm
- d Tolerance group „D“ 1.830 - 1.839 mm
- e depending on configuration use 14 studs part no. 840752 M8x201 or 8 studs M8x201 and 6 studs part no. 840754 M8x210.
- f see Overhaul Manual of the respective engine type, current issue.
- g only for use with new cylinders 913221 with countersunk.
With the cylinder 913225 the countersunk was already introduced starting from beginning of the production.
- h following Service Instruction has to be noticed:
SI-912-019 current issue
SI-914-021
- i 431570 introduced as per engine S/N as follows:
912 UL: S/N 06,770.893
914 UL: S/N 07,682.596
912 A: S/N 04,410.977
912 S: S/N 04,924,497
912 F: S/N 04,413.018
912 ULS: S/N 06,781.191
914 F: S/N 04,421.170
- j Wrench size A/F 11

d06598.fm

BRP-Rotax
ILLUSTRATED PARTS CATALOG

from crankcase S/N: 14.0000

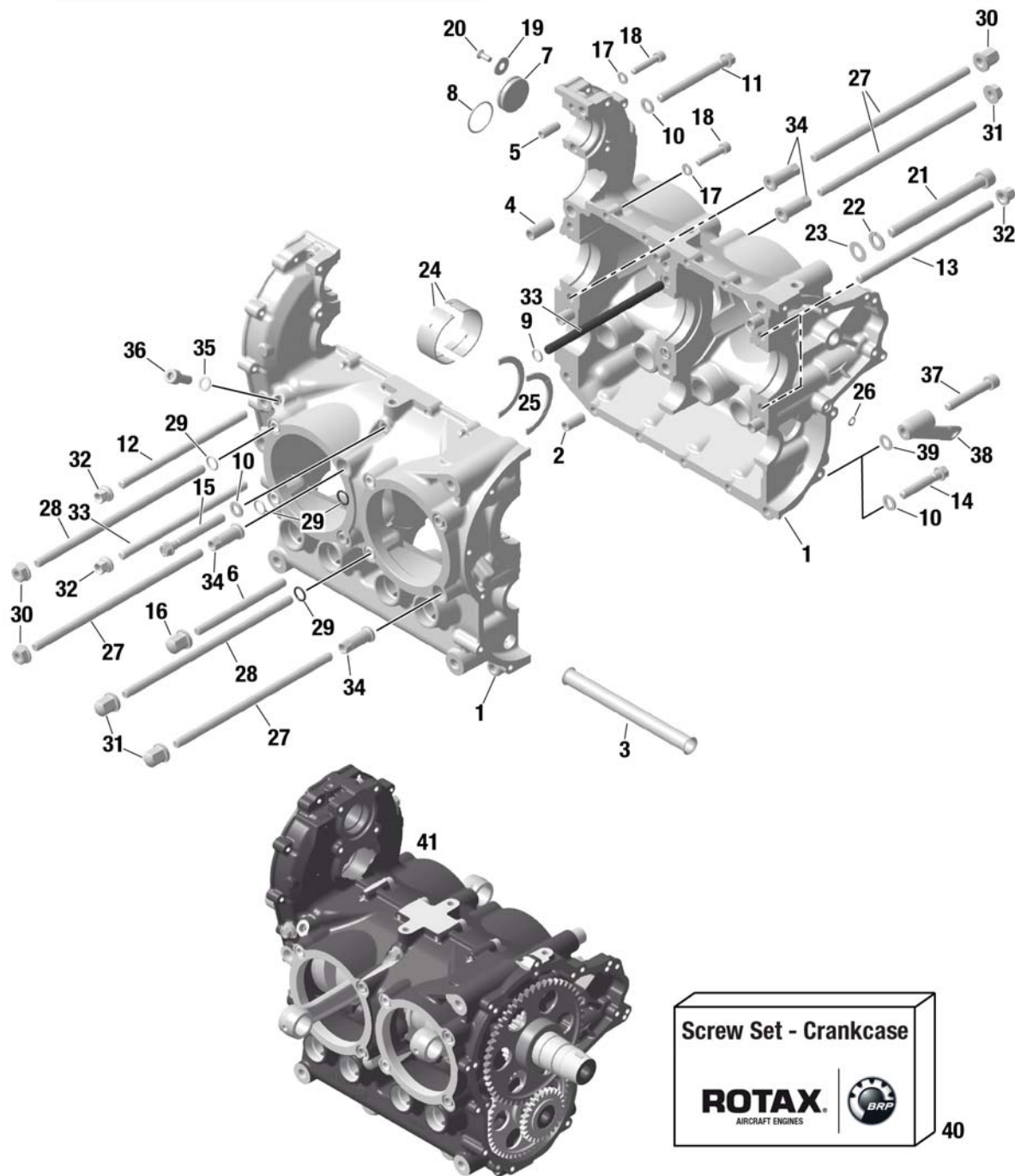


Fig. 72-20-00-3

10005

BRP-Rotax

ILLUSTRATED PARTS CATALOG

Chapter) 72-20-00 CRANKCASE

FIG. & ITEM NO.	STATUS	PART NO.	INDENT	Description	Parts per Engine						
					912 A	912 F	912 S	912 UL	912 ULS	914 F	914 UL
3	1	893862	.1	CRANKCASE SET	1d	1d	1d	1d	1d	1d	1d
	2	842655	..2	HELI-COIL THREAD INSERT M8x20	2	2	2	2	2	2	2
	3	924451	..2	OIL TUBE	1	1	1	1	1	1	1
	4	929951	..2	DOWEL 10.8x25	5	5	5	5	5	5	5
	5	929845	..2	PIN D8x20	1	1	1	1	1	1	1
	6	840191	..2	STUD M8x105	1	1	1	1	1	1	1
	7	944222	..2	BLINDING SHIM	1a	1a	1a	1a	1a	1a	1a
	8	430061	..2	O-RING 26.7x1.8	1a	1a	1a	1a	1a	1a	1a
	9	850902	..2	O-RING 9x2	2	2	2	2	2	2	2
	10	944131	..2	WASHER 8	4d	4d	4d	4d	4d	4d	4d
	11	840061	..2	ALLEN SCREW M8x80	1	1	1	1	1	1	1
	12	840092	..2	STUD M8x1x153	1d	1d	1d	1d	1d	1d	1d
	13	840102	..2	STUD M8x1x163	2d	2d	2d	2d	2d	2d	2d
	14	940071	..2	HEX.COLLAR SCREW M8x45-A/F10	2	2	2	2	2	2	2
	15	440406	..2	HEX.COLLAR SCREW M8x65-A/F10	1	1	1	1	1	1	1
	16	842471	..2	COLLAR CAP NUT M8	1	1	1	1	1	1	1
	17	N	..2	WASHER A6.4	9	9	9	9	9	9	9
	17	s.v.	..2	LOCK WASHER A6	9	9	9	9	9	9	9
	18	840887	..2	ALLEN SCREW M6x30	9	9	9	9	9	9	9
	19	227280	..2	THRUST WASHER	1	1	1	1	1	1	1
	20	940315	..2	COUNTERSUNK SCREW M5x12	1	1	1	1	1	1	1
	21	941487	..2	ALLEN SCREW M10x110	1	1	1	1	1	1	1

- Items not illustrated

d06598.fm

BRP-Rotax

ILLUSTRATED PARTS CATALOG

FIG. & ITEM NO.	STATUS	PART NO.	INDENT	Description	Parts per Engine						
					912 A	912 F	912 S	912 UL	912 ULS	914 F	914 UL
21		941557	..2	ALLEN SCREW M10x150	(1)	(1)	(1)	(1)	(1)		
22	N s.v.	945833 945753	..2	LOCK WASHER A10	1	1	1	1	1	1	1
23	N s.v.	927411 927410	..2	WASHER 10.5	1	1	1	1	1	1	1
24		933870	.1	PLAIN BEARING "C"	6bd	6bd	6bd	6bd	6bd	6bd	6bd
24		933871	.1	PLAIN BEARING "D"	6cd	6cd	6cd	6cd	6cd	6cd	6cd
25		933335	.1	RING HALF	2	2	2	2	2	2	2
26		831929	.1	O-RING 5x2	1	1	1	1	1	1	1
27		840141	.1	STUD M8x186	8	8	8	8	8	8	8
28		840171	.1	STUD M8x200	8	8	8	8	8	8	8
29		431570	.1	O-RING 10,82x1,78	8	8	8	8	8	8	8
30		842610	.1	HEX. NUT M8	8	8	8	8	8	8	8
31		842471	.1	COLLAR CAP NUT M8	8	8	8	8	8	8	8
32		842860	..2	COLLAR NUT M8	8d	8d	8d	8d	8d	8d	8d
33		840132	..2	STUD M8x1x139	3d	3d	3d	3d	3d	3d	3d
34		929117	..2	THREAD SLEEVE M8x1	8d	8d	8d	8d	8d	8d	8d
35		950141	.1	GASKET RING A 8x13	1	1	1	1	1	1	1
36	N s.v.	240072 240071	.1	ALLEN SCREW M8x20	1	1	1	1	1	1	1
37		440107	..2	ALLEN SCREW M8x50						1d	1d
38		xxxxxx	.1	See chapt. 78-00-00 fig.3						1	1
39		926400	.1	WASHER 8.4/15/0.5						AR	AR
39		926401	.1	WASHER 8.4/15/1							
39		926402	.1	WASHER 8.4/15/1.5						AR	AR
40		881121	.1	SCREW SET CRANKCASE	1d	1d	1d	1d	1d	1d	1d
41		300091202	.1	ENGINE BLOCK			1		1		
41		300091401	.1	ENGINE BLOCK	1	1		1		1	1

- Items not illustrated

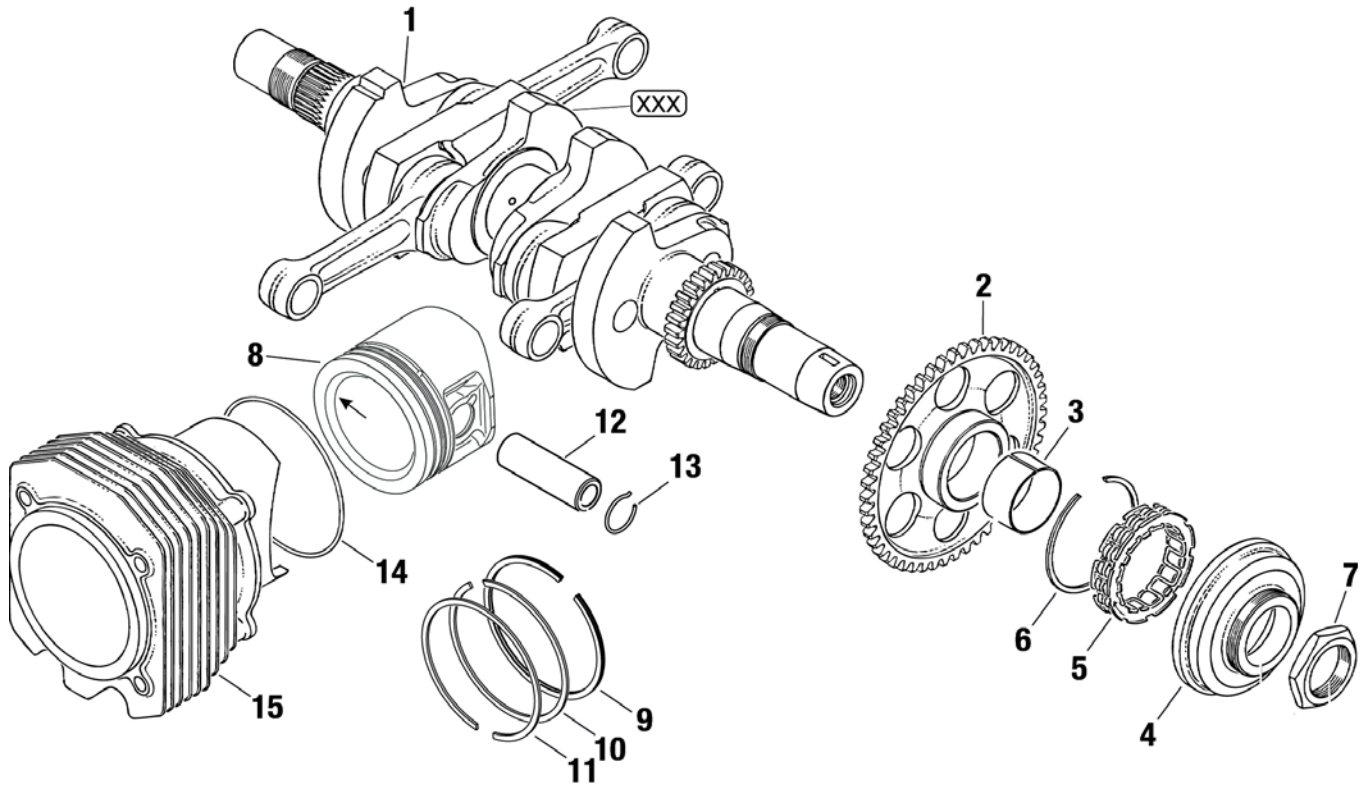
d06598.fm

BRP-Rotax

ILLUSTRATED PARTS CATALOG

- a Only for model 2 and 4
- b Tolerance group "C" 1.820 -1.829 mm
- c Tolerance group "D" 1.830 -1.839 mm
- d See Overhaul Manual of the respective engine type, current issue.

BRP-Rotax
ILLUSTRATED PARTS CATALOG



09766

Fig. 72-20-00-4

BRP-Rotax

ILLUSTRATED PARTS CATALOG

Chapter) 72-20-00

CRANKSHAFT, PISTON, CYLINDER, SPRAG CLUTCH

FIG. & ITEM NO.	STATUS	PART NO.	INDENT	Description	Parts per Engine						
					912 A	912 F	912 S	912 UL	912 ULS	914 F	914 UL
4 1	s.v.	996583	.1	CRANKSHAFT SET	1g	1g		1g		1g	1g
1		888164	.1	CRANKSHAFT SET	1g	1g	1g	1g	1g	1g	1g
2		834122	.1	FREE WHEEL GEAR 50 T	1	1	1	1	1	1	1
3		933311	.1	BEARING BUSHING	1	1	1	1	1	1	1
4	N	852406	.1	SPRAG CLUTCH HOUSING	1hj	1hj	1hj	1hj	1hj	1hj	1hj
	s.v.	852405			1h	1h	1h	1h	1h	1h	1h
5		958856	.1	SPRAG CLUTCH 51.70x68.377x13	1	1	1	1	1	1	1
6		845425	.1	CIRCLIP 70	1	1	1	1	1	1	1
7		842574	.1	HEX. NUT M34x1.5 LH	1	1	1	1	1	1	1
8-11		996542	.1	PISTON ASSY. 79.50/79.51 MM	4a	4a		4a		4a	4a
8-11		888382	.1	PISTON ASSY. 84/84.01 MM			4b		4b		
9		215400	..2	OIL SCRAPER RING 79.5 MM	4	4		4		4	4
9		815230	..2	OIL SCRAPER RING 84 MM			4g		4g		
10		215420	..2	TAPERED COMPRESSION RING 79.5 MM	4	4		4		4	4
10		815280	..2	TAPERED COMPRESSION RING 84			4e		4e		
11		215590	..2	RECTANGULAR RING 79.5/ 72.9x1.5	4	4		4		4	4
11		815251	..2	RECTANGULAR RING 84/77x1.5			4e		4e		
12		916420	.1	PISTON PIN 20x12x56						4g	4g
12		916356	.1	PISTON PIN 20x12x55.3	4g	4g	4g	4g	4g	4g	4g
13		845106	.1	MONOHOOK CIRCLIP 20	8	8	8	8	8	8	8
14		250510	.1	O-RING 87x2	4	4	4	4	4	4	4
15		913222	.1	CYLINDER	4cf	4cf		4cf		4cf	4cf
15		913226	.1	CYLINDER			4df		4df		

- Items not illustrated

d06598.fm

BRP-Rotax

ILLUSTRATED PARTS CATALOG

FIG. & ITEM NO.	STATUS	PART NO.	INDENT	Description	Parts per Engine						
					912 A	912 F	912 S	912 UL	912 ULS	914 F	914 UL
16		881540	.1	PISTON SET	1i	1i		1i		1i	1i
17		881542	.1	PISTON SET			1i		1i		

- Items not illustrated

- a red 79.50 mm, green 79.51 mm
- b red 84 mm, green 84.01 mm
- c **A** 79.50 - 79.512, **B** 79.513 - 79.524
- d **A** 84.00 - 84.012, **B** 84.012 - 84.024
- e at 912 ULS the complete piston with rings has to be exchanged up to S/N 4,425.123
- f with countersunk for O-ring 830415.

Introduced as per following engine S/N:

912 A: 4,410.393

912 F: 4,412.799

912 S: starting with serial production

912 UL: 4,403.679

912 ULS: starting with serial production

914 F: 4,420.207

914 UL: 4,417.868

- g following Service Letter has to be noticed
SL-912-002 current issue
SL-914-002 current issue
- h with expanded space of sprag clutch

Introduced as per following engine S/N:

912 A: 4,410.807

912 F: 4,412.949

912 S: 4,923.671

912 UL: 4,409.089

912 ULS: 5,650.835

914 F: 4,420.805

914 UL: 6,772.727

- i Balanced piston set: max. difference 3 g
- j with drain holes

d06598.fm

BRP-Rotax
ILLUSTRATED PARTS CATALOG

NOTES

d06598.fm

BRP-Rotax
ILLUSTRATED PARTS CATALOG

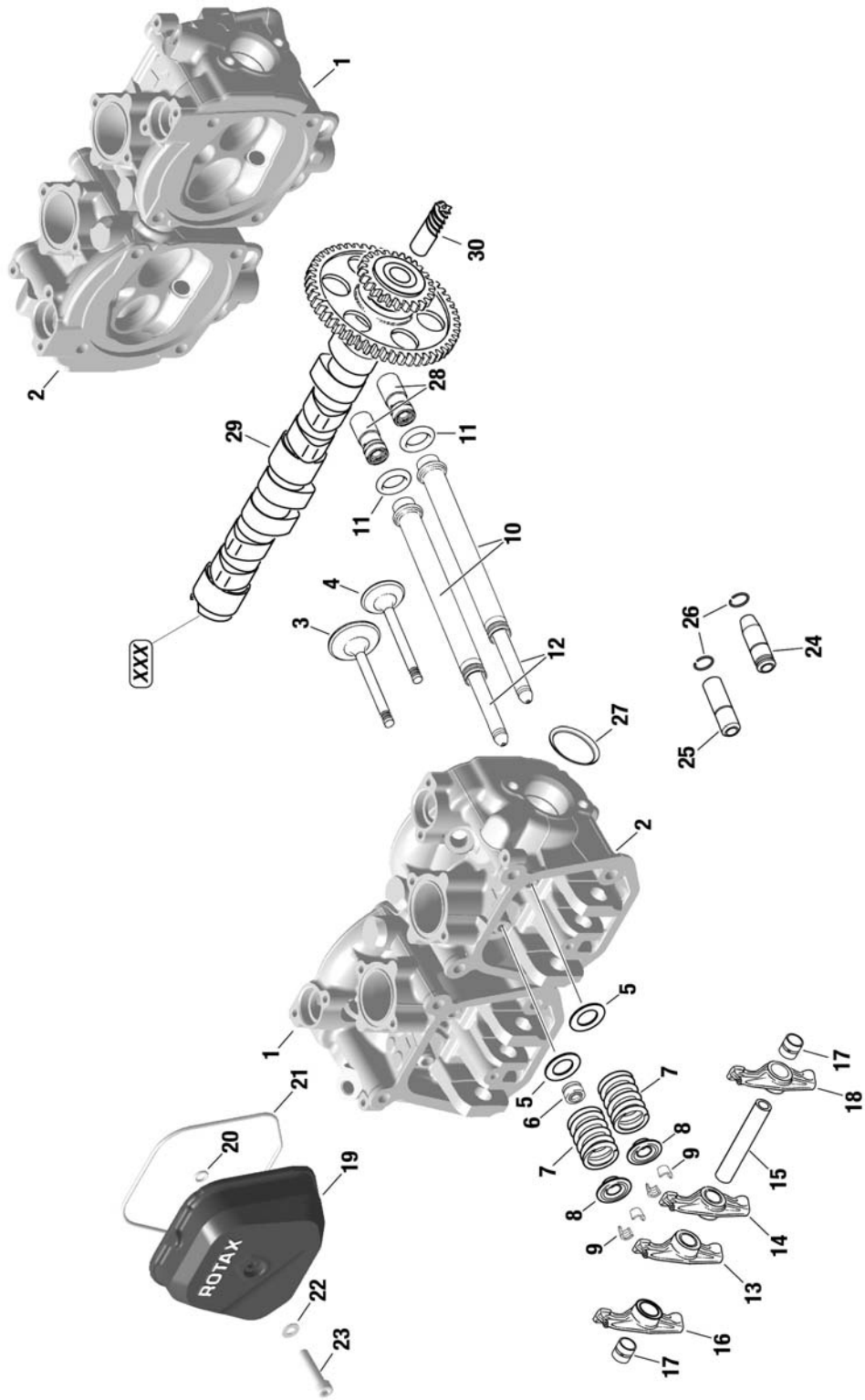


Fig. 72-20-00-5

10023

d06598.fm

BRP-Rotax

ILLUSTRATED PARTS CATALOG

Chapter) 72-20-00

CYLINDERHEAD, VALVE TRAIN, VALVE COVER

FIG. & ITEM NO.	STATUS	PART NO.	INDENT	Description	Parts per Engine						
					912 A	912 F	912 S	912 UL	912 ULS	914 F	914 UL
5 1	n.a.	413236 413235	.1	CYLINDER HEAD 2/3 ASSY.	2ao	2ao		2ao		2ao	2ao
1		413185	.1	CYLINDER HEAD 2/3 ASSY.			2ao		2ao		
2		413195	.1	CYLINDER HEAD 1/4 ASSY.			2b		2b		
2	n.a.	413246 413245	.1	CYLINDER HEAD 1/4 ASSY.	2b	2b		2b		2b	2b
3	n.a.	854101 854108	.1	INTAKE VALVE 38 MM	4	4	4	4	4	4	4
4	N	854113	.1	EXHAUST VALVE 32 MM						4p	4p
4	n.a.	854111 854118	.1	EXHAUST VALVE 32 MM	4	4	4	4	4	4	4
5		926210	.1	SHIM 16/27.9/1	8d	8d	8	8d	8	8d	8d
6		230810	.1	VALVE STEM SEAL	4	4	4	4	4	4	4
7	N n.a.	838156 838155	.1	VALVE SPRING	8d	8d	8	8d	8	8d	8d
8		854186	.1	VALVE SPRING RETAI- NER	8	8	8	8	8	8	8
9	n.a.	253092 253090	.1	VALVE COTTER	16	16	16	16	16	16	16
10		924440	.1	OIL RETURN TUBE	8	8	8	8	8	8	8
11		850930	.1	O-RING 16x5	8	8	8	8	8	8	8
12	N s.v.	854862 854861	.1	VALVE PUSH-ROD ASSY.	8	8	8	8	8	8	8
13	n.a.		.1	ROCKER ARM LEFT ASSY.	4e	4e	4e	4e	4e	4e	4e
14	n.a.		.1	ROCKER ARM RIGHT ASSY.	4e	4e	4e	4e	4e	4e	4e

- Items not illustrated

d06598.fm

BRP-Rotax

ILLUSTRATED PARTS CATALOG

FIG. & ITEM NO.	STATUS	PART NO.	INDENT	Description	Parts per Engine						
					912 A	912 F	912 S	912 UL	912 ULS	914 F	914 UL
15	s.v.	854195	.1	ROCKER ARM SHAFT	4	4	4	4	4	4	4
15		854193	.1	ROCKER ARM SHAFT	4	4	4	4	4	4	4
15		854197	.1	ROCKER ARM SHAFT	(4)f	(4)f	(4)f	(4)f	(4)f	(4)f	(4)f
16		854383	.1	ROCKER ARM LEFT ASSY.	4g	4g	4g	4g	4g	4g	4g
17		933396	.1	VESPEL BUSHING VESPEL	8g	8g	8g	8g	8g	8g	8g
18		854393	.1	ROCKER ARM RIGHT ASSY.	4g	4g	4g	4g	4g	4g	4g
19		612263	.1	VALVE COVER BLACK	4	4		4			
19		612262	.1	VALVE COVER RED						4	4
19		612260	.1	VALVE COVER GRUEN			4		4		
19	s.v.	612180	.1	VALVE COVER BLAU			4		4		
20-21		881920	.1	O-RING SET	1	1	1	1	1	1	1
20		430205	..2	O-RING 6.4x1.8	4	4	4	4	4	4	4
21		250285	..2	O-RING 105x2.5	4	4	4	4	4	4	4
22	N s.v.	927942 927941	.1	WASHER 6.0/12/1	4	4	4	4	4	4	4
23		840887	.1	ALLEN SCREW M6x30	4	4	4	4	4	4	4
24		253114	.1	INLET VALVE GUIDE	4h	4h	4h	4h	4h	4h	4h
25		854224	.1	INLET VALVE GUIDE	4i	4i	4i	4i	4i	4i	4i
26		245440	.1	RETAINING RING	8j	8j	8j	8j	8j	8j	8j
27		931920	.1	GASKET RING	ARk	ARk	ARk	ARk	ARk	ARk	ARk
28		881832	.1	HYDRAULIC VALVE TAPPET SET	1n	1n	1n	1n	1n	1n	1n
29		837196	.1	CAMSHAFT 227° ASSY.	1lm	1lm		1lm		1lm	1lm
29		837418	.1	CAMSHAFT 230° ASSY.			1lm		1lm		
30		xxxxxx	.1	See chapt. 75-20-00 fig. 1	1	1	1	1	1	1	1

- Items not illustrated

d06598.fm

BRP-Rotax

ILLUSTRATED PARTS CATALOG

- a for cylinder 2 and 3
- b for cylinder 1 and 4
- c Up to engine S/N
912 A: 4,410.203
912 F: 4,412.756
912 UL: 4,401.879
914 F: 4,420.038
914 UL: 4,417.597
Single valve springs and double valve springs if required are allowed to be mounted in one engine.
- d From engine S/N
912 A: 4,410.204
912 F: 4,412.757
912 UL: 4,401.880
914 F: 4,420.039
914 UL: 4,417.598
- e With sintered bronze bushing
- f Oversize +0.2 mm (0.008 in.)
- g Rocker arm version with vespel bushing
From engine S/N
912 A: 4,410.472
912 F: 4,412.817
912 S: 4,922.768
912 UL: 4,404.621
912 ULS: 4,427.487
914 F: 4,420.314
914 UL: 4,418.104
- h for inlet valve, chafe up to new measurement
- i for outlet valve, chafe up to new measurement
- j

NOTICE

Use only once!

- k for rework of exhaust port
See Overhaul Manual of the respective engine type, current issue.
- l Marked with S/N
- m Without worm gear
- n pre-filled, 8 parts per set
- o Cylinder heads where the coolant temperature is measured.
- p see SI-914-30

BRP-Rotax
ILLUSTRATED PARTS CATALOG

NOTES

d06598.fm

BRP-Rotax
ILLUSTRATED PARTS CATALOG

NOTES

d06555.fm

BRP-Rotax
ILLUSTRATED PARTS CATALOG

Chapter) 73-00-00

BING CONSTANT SPEED DEPRESSION CARBURETOR - SINGLE PARTS

Config.	STATUS	PART NO.	INDENT	Description	Parts per Engine						
					912 A	912 F	912 S	912 UL	912 ULS	914 F	914 UL
Airfilter		892500	.1	CONSTANT DEPRESSION CARB. ASSY 1/3	1	1		1			
		892505	.1	CONSTANT DEPRESSION CARB. ASSY 2/4	1	1		1			
Airbox		892500	.1	CONSTANT DEPRESSION CARB. ASSY 1/3	(1)a	(1)a		(1)a			
		892505	.1	CONSTANT DEPRESSION CARB. ASSY 2/4	(1)a	(1)a		(1)a			
Airbox or Airfilter		892530	.1	CONSTANT DEPRESSION CARB. ASSY 1/3			1		1		
		892535	.1	CONSTANT DEPRESSION CARB. ASSY 2/4			1		1		
Airbox	s.v.	887093	.1	CONSTANT DEPRESSION CARB. ASSY 1/3						1b	1b
	s.v.	887098	.1	CONSTANT DEPRESSION CARB. ASSY 2/4						1c	1c
		892520	.1	CONSTANT DEPRESSION CARB. ASSY 1/3						1b	1b
		892525	.1	CONSTANT DEPRESSION CARB. ASSY 2/4						1c	1c

- Items not illustrated

d06555.fm

BRP-Rotax

ILLUSTRATED PARTS CATALOG

	912 UL/A/F		912 ULS/ULSFR/S		914 UL/F	
Version	59.6 kW (81 hp)		73.5 kW (100 hp)		84.5 kW (115 hp)	
Location	Carburetor part no.		Carburetor part no.		Carburetor part no.	
	1/3	2/4	1/3	2/4	1/3	2/4
Airbox part no. 667355					X	
BING no.						
Main jet	892500	892505	892530 ⁴⁾	892535 ⁵⁾		
Needle position	64/32/416A-02 HD 158 ¹¹⁾ NP 3	64/32/417A-02 HD 158 ¹¹⁾ NP 3	64/32/421A-02 HD 155 NP 3	64/32/422A-02 HD 155 NP 3		
Air filter					X	
BING no.						
Main jet	892500 ²⁾	892505 ³⁾				
Needle position	64/32/416A-02 HD 158 NP 3	64/32/417A-02 HD 158 NP 3				
Airbox part no. 867753					X	
BING no.						
Main jet					887093 ⁶⁾	
Needle position					64/32/418/01 HD 160 ¹⁰⁾ NP 2	
Airbox part no. 667162					X	
BING no.						
Main jet					887098	
Needle position					64/32/419/01 HD 164 ¹⁰⁾ NP 2	
Airbox part no. 667167					X	
BING no.						
Main jet					892520 ⁸⁾	
Needle position					64/32/418A-05 HD 156 ¹⁰⁾ NP 2	
Airbox part no. 667574					X	
BING no.						
Main jet					892525 ⁹⁾	
Needle position					64/32/419A-05 HD 158 ¹⁰⁾ NP 3	
Needle jet					892520	
Diffusor					64/32/418A-05 HD 156 ¹⁰⁾ NP 2	
Jet needle					892525	
Idle jet					64/32/419A-05 HD 158 ¹⁰⁾ NP 3	
Cold start jet					ND 2,70	
Float needle valve / viton tipped					961202	
Idle mixture screw					961215	
					LD 35	
					SD 85 ¹⁾	
					261708	
					LS 1.5	

09481

Fig. 73-00-00-1

d06555.fm

BRP-Rotax

ILLUSTRATED PARTS CATALOG

- a For airbox
See SB-912-044
- b 64/32/398F/06, for cylinder 1/3;
See SI-914-015 current issue
- c 64/32/399F/06, for cylinder 2/4 incl. throttle potentiometer - see chapter 73-00-00/Fig. 3;
See SI-914-015 current issue
- 1 See Service Instruction SI-03-1998
- 2 Replace part no. 887262 (64/32/394F/04) / 887264 (64/32/394/08) / 888802 (64/32/416/01) / 888803 (64/32/416A/00)
- 3 Replace part no. 887267 (64/32/395F/04) / 887269 (64/32/395/08) / 888807 (64/32/417/01) / 888808 (64/32/417A/00)
- 4 Replace part no. 888370 (64/32/409F/01) / 888372 (64/32/412/00) / 888373 (64/32/421/01) / 888374 (64/32/421A/00)
- 5 Replace part no. 888375 (64/32/410F701) / 888377 (64/32/411/00) / 888378 (64/32/422/01) / 888379 (64/32/422A700)
- 6 Replace part no. 887092 (64/32/398F-06)
- 7 Replace part no. 887097 (64/32/399F-07)
- 8 Replace part no. 887094 (64/32/418A-00)
- 9 Replace part no. 887099 (64/32/419A-00)
- 10 Depends on airbox version;
See SI-914-013 and SI-914-015 current issue
- 11 Depends on airbox version;
See SB-914-044 current issue

d06555.fm

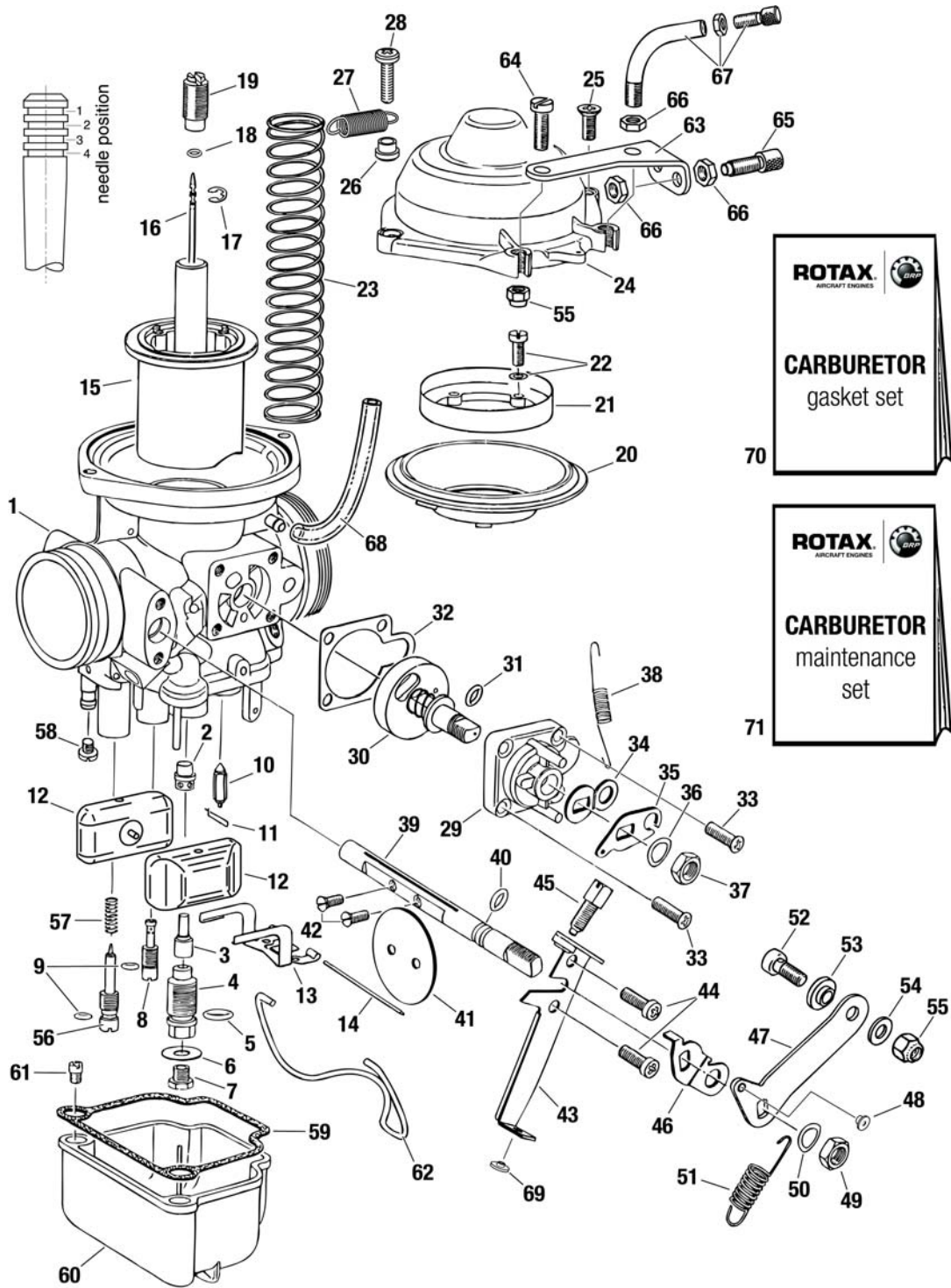
BRP-Rotax
ILLUSTRATED PARTS CATALOG

NOTES

d06555.fm

BRP-Rotax

ILLUSTRATED PARTS CATALOG



912 Series

09778

Fig. 73-00-00-2

d06555.fm

BRP-Rotax

ILLUSTRATED PARTS CATALOG

Chapter) 73-00-00

CARBURETOR - SINGLE PARTS 912 SERIES

FIG. & ITEM NO.	STATUS	PART NO.	INDENT	Description	Parts per carburetor						
					912 A	912 F	912 S	912 UL	912 ULS	914 F	914 UL
2 1		-	.1	CARBURETOR HOUSING	1c	1c	1c	1c	1c		
2		961200	.1	DIFFUSER	1	1		1			
2		961202	.1	DIFFUSER			1		1		
3		261607	.1	NEEDLE JET 2.72	1	1		1			
3		261608	.1	NEEDLE JET 2.70			1		1		
4		963130	.1	MIXING TUBE	1	1	1	1	1		
5		430800	.1	O-RING 8x2	1	1	1	1	1		
6		827160	.1	SHIM	1	1	1	1	1		
7		268985	.1	MAIN JET 160			1i		1i		
7		268984	.1	MAIN JET 155	(1)f	(1)f	1	(1)f	1		
7		268996	.1	MAIN JET 158	1	1		1			
8		963141	.1	IDLE JET 30	1	1	1	1	1		
8		963143	.1	IDLE JET 35	1	1	1	1	1		
9		831713	.1	O-RING 3.2x1.8	2g	2g	2g	2g	2g		
10		261708	.1	FLOAT NEEDLE VALVE W. VITON TIP	1g	1g	1g	1g	1g		
11		261710	.1	FLOAT NEEDLE CLIP	1	1	1	1	1		
12	N	861188	.1	FLOATS PAIR	1h	1h	1h	1h	1h		
12	s.v.	861187	.1	FLOATS PAIR	1h	1h	1h	1h	1h		
13		861192	.1	FLOAT BRACKET	1	1	1	1	1		
14		929702	.1	PIN	1	1	1	1	1		
15		961230	.1	CARBURETOR PISTON	1	1	1	1	1		
16		961215	.1	JET NEEDLE	1	1	1	1	1		
17		945785	.1	CIRCLIP	1	1	1	1	1		
18		950430	.1	O-RING 2.5x1.5-N	1	1	1	1	1		

- Items not illustrated

d06555.fm

BRP-Rotax
ILLUSTRATED PARTS CATALOG

FIG. & ITEM NO.	STATUS	PART NO.	INDENT	Description	Parts per carburetor						
					912 A	912 F	912 S	912 UL	912 ULS	914 F	914 UL
19		961293	.1	FIXATION SCREW	1e	1e	1e	1e	1e		
20		861116	.1	DIAPHRAGM	1	1	1	1	1		
21		961240	.1	RETAINING RING	1	1	1	1	1		
22		841210	.1	COMBINED SCREW M4x12	4	4	4	4	4		
23		938365	.1	THROTTLE VALVE SPRING	1	1	1	1	1		
24		961250	.1	CHAMBER TOP	1	1	1	1	1		
25		841341	.1	COUNTERSUNK SCREW M5x12	1	1	1	1	1		
26		847910	.1	DISTANCE SLEEVE	1	1	1	1	1		
27		838242	.1	SPRING	1	1	1	1	1		
28		640251	.1	OVAL HEAD SCREW M5x20	1	1	1	1	1		
29		961280	.1	CHOKE HOUSING	1	1	1	1	1		
30		961273	.1	CHOKE VALVE ASSY. 1/3	1a,g	1a,g	1a,g	1a,g	1a,g		
30		961278	.1	CHOKE VALVE ASSY. 2/4	1b,g	1b,g	1b,g	1b,g	1b,g		
31		950420	.1	O-RING 5x1.5	1	1	1	1	1		
32		950030	.1	GASKET	1	1	1	1	1		
33		841360	.1	PHILLIPS HEAD SCREW M4x14	4	4	4	4	4		
34		848241	.1	CHOKE LEVER INSIDE	1	1	1	1	1		
35		848245	.1	CHOKE LEVER OUTSIDE	1	1	1	1	1		
36		845035	.1	SPRING WASHER 8.3/13.6/0.4	2	2	2	2	2		
37		942290	.1	HEX. NUT M8x1	2	2	2	2	2		
38		938287	.1	RETURN SPRING	1	1	1	1	1		
39		963992	.1	THROTTLE SHAFT	1	1	1	1	1		
40		950020	.1	O-RING 6x1.9	1	1	1	1	1		
41		963666	.1	THROTTLE VALVE	1	1	1	1	1		
42		941200	.1	SLOTTED HEAD SCREW M3x6	2	2	2	2	2		
43		961262	.1	CABLE SUPPORT 1/3	1a,g	1a,g	1a,g	1a,g	1a,g		
43		961267	.1	CABLE SUPPORT 2/4	1b,g	1b,g	1b,g	1b,g	1b,g		

- Items not illustrated

d06555.fm

BRP-Rotax

ILLUSTRATED PARTS CATALOG

FIG. & ITEM NO.	STATUS	PART NO.	INDENT	Description	Parts per carburetor						
					912 A	912 F	912 S	912 UL	912 ULS	914 F	914 UL
44		240357	.1	OVAL HEAD SCREW M4x10	2	2	2	2	2		
45		963162	.1	THROTTLE VALVE STOP SCREW	1	1	1	1	1		
46		848232	.1	STOP LEVER 2/4	1b	1b	1b	1b	1b		
46		848230	.1	STOP LEVER 1/3	1a	1a	1a	1a	1a		
47-48		963026	.1	THROTTLE VALVE LEVER 1/3	1a,g	1a,g	1a,g	1a,g	1a,g		
47-48		963021	.1	THROTTLE VALVE LEVER 2/4	1b,g	1b,g	1b,g	1b,g	1b,g		
48		963015	..2	SLEEVE	1	1	1	1	1		
49		942290	.1	HEX. NUT M8x1	2	2	2	2	2		
50		845035	.1	SPRING WASHER 8.3/13.6/0.4	2	2	2	2	2		
51		938289	.1	RETURN SPRING	1	1	1	1	1		
52		241847	.1	ALLEN SCREW M5x12	1	1	1	1	1		
53		847740	.1	GRADUATED SLEEVE	1	1	1	1	1		
54		827800	.1	WASHER A5.5	1	1	1	1	1		
55		842030	.1	LOCK NUT M5	2	2	2	2	2		
56		961222	.1	IDLE MIXTURE SCREW	1	1	1	1	1		
57		239463	.1	COMPRESSION SPRING	1g	1g	1g	1g	1g		
58		941740	.1	SLOTTED HEAD SCREW M3.5x5	1	1	1	1	1		
59	N s.v.	830721	.1	GASKET (rubber)	1	1	1	1	1		
		830724	.1	GASKET (cork)	1	1	1	1	1		
60-61		963230	.1	FLOAT CHAMBER ASSY. 1/3	1	1	1	1	1		
60-61		963232	.1	FLOAT CHAMBER ASSY. 2/4	1	1	1	1	1		
61		268758	..2	JET 85	1	1	1	1	1		
61		268762	..2	JET 105	(1)d	(1)d	(1)d	(1)d	(1)d		
61		268857	..2	JET 120	(1)d	(1)d	(1)d	(1)d	(1)d		
61		268763	..2	JET 130	(1)d	(1)d	(1)d	(1)d	(1)d		
61		268765	..2	JET 140	(1)d	(1)d	(1)d	(1)d	(1)d		

- Items not illustrated

d06555.fm

BRP-Rotax
ILLUSTRATED PARTS CATALOG

FIG. & ITEM NO.	STATUS	PART NO.	INDENT	Description	Parts per carburetor						
					912 A	912 F	912 S	912 UL	912 ULS	914 F	914 UL
62		963180	.1	SPRING CLIP	1	1	1	1	1		
63		851071	.1	SUPPORT 1/3	1a	1a	1a	1a	1a		
63		851073	.1	SUPPORT 2/4	1b	1b	1b	1b	1b		
64		240761	.1	SLOTTED HEAD SCREW M5x16	1	1	1	1	1		
65		241440	.1	ADJUSTMENT SCREW M6x0.75	1	1	1	1	1		
66		942541	.1	HEX. NUT M6x0.75 HIGHT 3 MM	3	3	3	3	3		
67		861640	.1	BENT TUBE ASSY.	1	1	1	1	1		
68		256035	.1	AIR VENT LINE 120 MM	1	1	1	1	1		
69		963010	.1	SLEEVE	1	1	1	1	1		
70		996946	.1	GASKET SET CARBURETOR	1jl	1jl	1jl	1jl	1jl		
71		889534	.1	MAINTENANCE SET CARBURETOR	2kl	2kl	2kl	2kl	2kl		

- Items not illustrated

- a For cylinder 1/3
- b For cylinder 2/4
- c Carburetor housing not available as spare part. use carburetor assy.;
- d Refer to service instruction SI-03-1998 current issue
- e With clearance for O-Ring (use only together with O-Ring Pos. 18 (part no. 950430));
- f For airbox part no. 867758 / part no. 867756
See therefore SB-912-044
- g See therefore SI-912-012 / SI-914-014
- h Package including two floats
- i Special jetting according to instructions of the manufacturer
- j Contain parts requirement for 2 carburetors
- k Maintenance set for 1 carburetor
- l with rubber gasket

d06555.fm

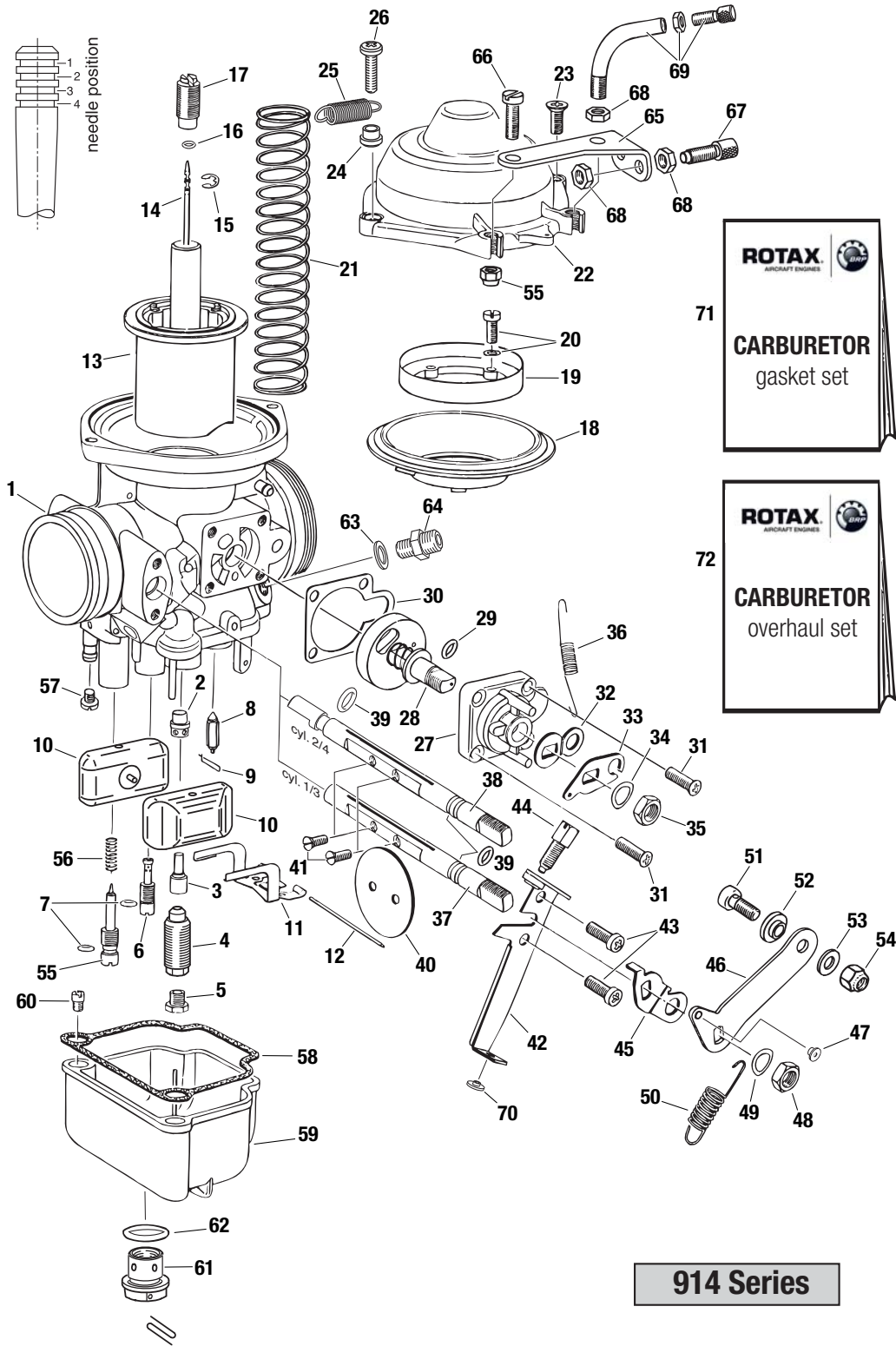
BRP-Rotax
ILLUSTRATED PARTS CATALOG

NOTES

d06555.fm

BRP-Rotax

ILLUSTRATED PARTS CATALOG



914 Series

09779_a

Fig. 73-00-00-3

d06555.fm

BRP-Rotax

ILLUSTRATED PARTS CATALOG

Chapter) 73-00-00

CARBURETOR - SINGLE PARTS 914 SERIES

FIG. & ITEM NO.	STATUS	PART NO.	INDENT	Description	Parts per carburetor						
					912 A	912 F	912 S	912 UL	912 ULS	914 F	914 UL
3 1		-	.1	CARBURETOR HOUSING						1c	1c
2		961200	.1	DIFFUSER						1	1
3		261607	.1	NEEDLE JET 2.72						1	1
4		963135	.1	MIXING TUBE						1	1
5		268997	.1	MAIN JET 156						1g	1g
5		268996	.1	MAIN JET 158						1b,g	1b,g
5		268985	.1	MAIN JET 160						1h	1h
5		268993	.1	MAIN JET 164						1b,h	1b,h
6		963141	.1	IDLE JET 30						1	1
6		963143	.1	IDLE JET 35						1	1
7		831713	.1	O-RING 3.2x0.8						2f	2f
8		261708	.1	FLOAT NEEDLE VALVE W. VITON TIP						1f	1f
9		261710	.1	FLOAT NEEDLE CLIP						1	1
10	N	861188	.1	FLOATS PAIR						1i	1i
11		861192	.1	FLOAT BRACKET						1	1
12		929702	.1	PIN						1	1
13		961230	.1	CARBURETOR PISTON						1	1
14		961215	.1	JET NEEDLE						1	1
15		945785	.1	CIRCLIP						1	1
16		950430	.1	O-RING 2.5x1.5-N						1	1
17		961293	.1	FIXATION SCREW						1e	1e
18		861116	.1	DIAPHRAGM						1	1
19		961240	.1	RETAINING RING						1	1
20		841210	.1	COMBINED SCREW M4x12						4	4

- Items not illustrated

d06555.fm

BRP-Rotax

ILLUSTRATED PARTS CATALOG

FIG. & ITEM NO.	STATUS	PART NO.	INDENT	Description	Parts per carburetor						
					912 A	912 F	912 S	912 UL	912 ULS	914 F	914 UL
21		938365	.1	THROTTLE VALVE SPRING						1	1
22		961250	.1	CHAMBER TOP						1	1
23		841341	.1	COUNTERSUNK SCREW M5x12						1	1
24		847910	.1	DISTANCE SLEEVE						1	1
25		838242	.1	SPRING						1	1
26		640251	.1	OVAL HEAD SCREW M5x20						1	1
27		961280	.1	CHOKE HOUSING						1	1
28		961273	.1	CHOKE VALVE ASSY. 1/3						1a,f	1a,f
28		961278	.1	CHOKE VALVE ASSY. 2/4						1b,f	1b,f
29		950420	.1	O-RING 5x1.5						1	1
30		950030	.1	GASKET						1	1
31		841360	.1	SLOTTED HEAD SCREW M4x14						4	4
32		848241	.1	CHOKE LEVER INSIDE						1	1
33		848245	.1	CHOKE LEVER OUTSIDE						1	1
34		845035	.1	SPRING WASHER 8.3/13.6/0.4						2	2
35		942290	.1	HEX. NUT M8x1						2	2
36		938287	.1	RETURN SPRING						1	1
37		963992	.1	THROTTLE SHAFT						1a	1a
38		963994	.1	THROTTLE SHAFT (long)						1b	1b
39		950020	.1	O-RING 6x1.9						2j	2j
40		963666	.1	THROTTLE VALVE						1	1
41		941200	.1	SLOTTED HEAD SCREW M3x6						2	2
42		961262	.1	CABLE SUPPORT 1/3						1a,f	1a,f
42		961267	.1	CABLE SUPPORT 2/4						1b,f	1b,f
43		240357	.1	OVAL HEAD SCREW M4x10						2	2
44		963162	.1	THROTTLE VALVE STOP SCREW						1	1
45		848232	.1	STOP LEVER 2/4						1b	1b

- Items not illustrated

d06555.fm

BRP-Rotax

ILLUSTRATED PARTS CATALOG

FIG. & ITEM NO.	STATUS	PART NO.	INDENT	Description	Parts per carburetor						
					912 A	912 F	912 S	912 UL	912 ULS	914 F	914 UL
45		848230	.1	STOP LEVER 1/3						1a	1a
46-47		963026	.1	THROTTLE VALVE LEVER 1/3						1a,f	1a,f
46-47		963021	.1	THROTTLE VALVE LEVER 2/4						1b,f	1b,f
47		963015	..2	SLEEVE						1	1
48		942290	.1	HEX. NUT M8x1						2	2
49		845035	.1	SPRING WASHER 8.3/13.6/0.4						2	2
50		938289	.1	RETURN SPRING						1	1
51		241847	.1	ALLEN SCREW M5x12						1	1
52		847740	.1	GRADUATED SLEEVE						1	1
53		827800	.1	WASHER A5.5						1	1
54		842030	.1	LOCK NUT M5						2	2
55		961222	.1	IDLE MIXTURE SCREW						1	1
56		239463	.1	COMPRESSION SPRING						1f	1f
57		941740	.1	SLOTTED HEAD SCREW M3.5x5						1	1
58	N	830721	.1	GASKET (rubber)						1 n	1 n
58	s.v.	830728	.1	GASKET (paper)						1m	1m
59-60		963235	.1	FLOAT CHAMBER ASSY. 1/3						1	1
59-60		963237	.1	FLOAT CHAMBER ASSY. 2/4						1	1
60		268758	..2	JET 85						1	1
60		268762	..2	JET 105						(1)d	(1)d
60		268857	..2	JET 120						(1)d	(1)d
60		268763	..2	JET 130						(1)d	(1)d
60		268765	..2	JET 140						(1)d	(1)d
61-62		963281	.1	ATTACHMENT SCREW ASSY.						1f	1f
62		631771	..2	O-RING 15.6x1.78						1f	1f
63		950141	.1	GASKET RING A 8x13						1	1
64		941853	.1	FUEL LINE CONNECTOR						1	1

- Items not illustrated

d06555.fm

BRP-Rotax
ILLUSTRATED PARTS CATALOG

FIG. & ITEM NO.	STATUS	PART NO.	INDENT	Description	Parts per carburetor						
					912 A	912 F	912 S	912 UL	912 ULS	914 F	914 UL
65		851071	.1	SUPPORT 1/3						1a	1a
65		851073	.1	SUPPORT 2/4						1b	1b
66		240761	.1	SLOTTED HEAD SCREW M5x16						1	1
67		241440	.1	ADJUSTMENT SCREW M6x0.75						1	1
68		942541	.1	HEX. NUT M6x0.75 HIGHT 3 MM						3	3
69		861640	.1	BENT TUBE ASSY.						1	1
70		963010	.1	SLEEVE						1	1
71	N	996946	.1	GASKET SET CARBURETOR 914						1kn	1kn
	s.v.	996947									1km
72	N	889534	.1	OVERHAUL-KIT CARBURETOR 914						2 ln	2 ln
	s.v.	889536									2 lm

- Items not illustrated

- a For cylinder 1/3
- b For cylinder 2/4
- c Carburetor housing not available as spare part. use carburetor assy.;
- d Refer to service instruction SI-03-1998 current issue
- e With clearance for O-Ring (use only together with O-Ring Pos. 16 (part no. 950430));
- f See therefore SI-912-012 / SI-914-014 current issue
- g For use of airbox part no. 667167
See therefore SI-914-015 current issue
For engine S/N:
914 F: 4,420.409
914 UL: 4,418.634
- h For use of airbox part no. 867753 or 667162
See therefore SI-914-013 and SI-914-002 current issue
- i Package including two floats
- j at carburetor 1/3 only 1 piece
- k Contain parts requirement for 2 carburetors
- l Overhaul-kit for 1 carburetor
- m with paper gasket
- n with rubber gasket/ standardized with 912 engine

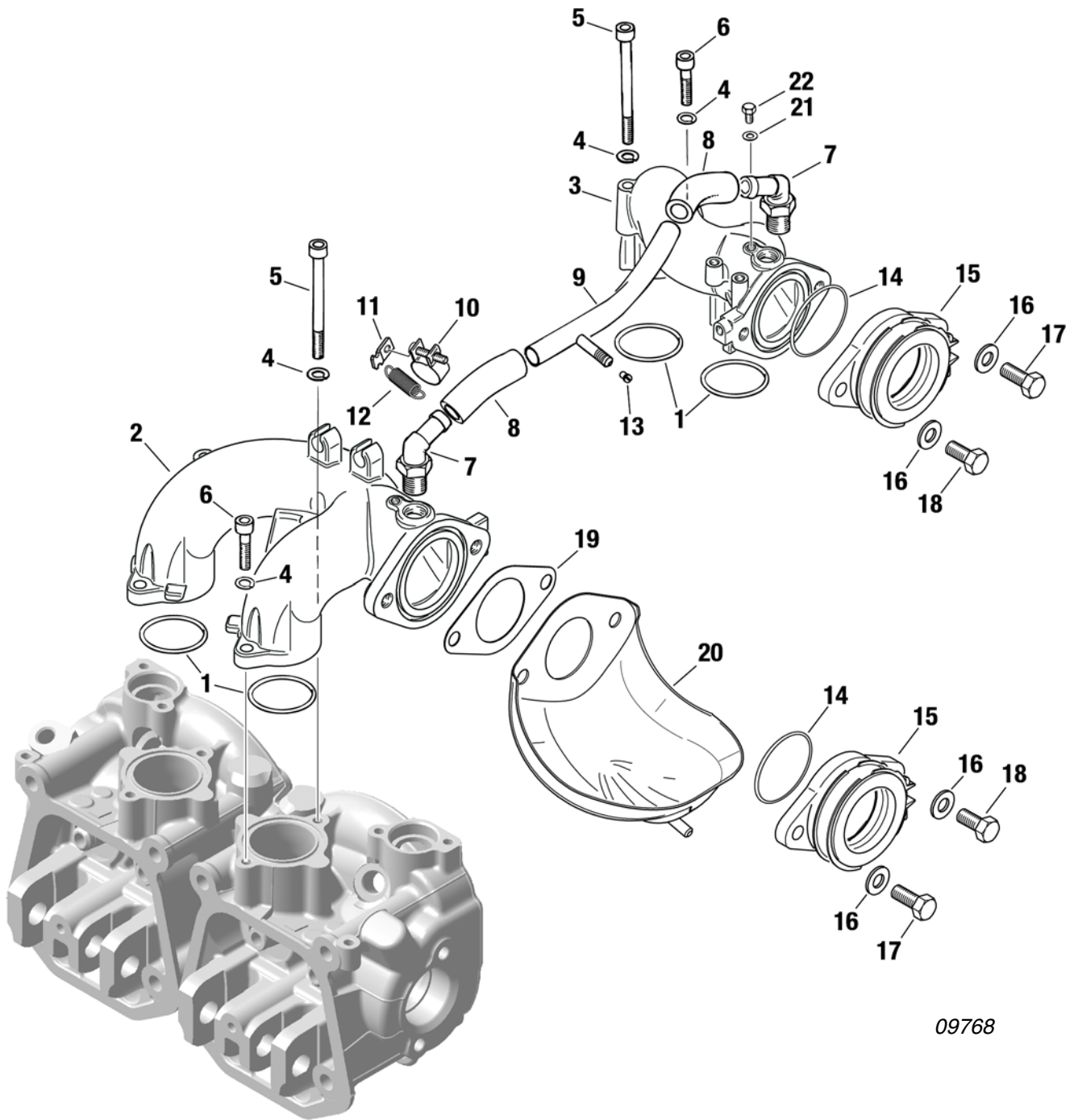
d06555.fm

BRP-Rotax
ILLUSTRATED PARTS CATALOG

NOTES

d06556.fm

BRP-Rotax
ILLUSTRATED PARTS CATALOG



09768

Fig. 73-10-00-1

BRP-Rotax

ILLUSTRATED PARTS CATALOG

Chapter) 73-10-00

INTAKE MANIFOLD, COMPENSATING TUBE ASSY., RUBBER FLANGE ASSY.

FIG. & ITEM NO.	STATUS	PART NO.	INDENT	Description	Parts per Engine						
					912 A	912 F	912 S	912 UL	912 ULS	914 F	914 UL
1 1		230910	.1	O-RING 34x2	4	4	4	4	4	4	4
2		867932	.1	INTAKE MANIFOLD	1al	1al	1al	1al	1al	1al	1al
3		867935	.1	INTAKE MANIFOLD	1kl	1kl	1kl	1kl	1kl	1kl	1kl
4		827962	.1	WASHER 6.4	8	8	8	8	8	8	8
4	N s.v.	945831 945751	.1	LOCK WASHER A6	8	8	8	8	8	8	8
5		241871	.1	ALLEN SCREW M6x70	4d	4d		4d		4d	4d
5		240531	.1	ALLEN SCREW M6x75	4c	4c	4	4c	4	4c	4c
6	N s.v.	840866 840861	.1	ALLEN SCREW M6x25	4	4	4	4	4	4	4
7		922242	.1	ANGULAR TUBE 1/4-18NPT	2	2	2	2	2	2	2
8		956143	.1	TUBE 66 MM	2j	2j	2j	2j	2j	2j	2j
8		956141	.1	TUBE 81 MM	1j	1j	1j	1j	1j	1j	1j
8		956142	.1	TUBE	2i	2i	2i	2i	2i	2i	2i
9		924541	.1	COMPENSATING TUBE ASSY.	1j	1j	1j	1j	1j	1j	1j
10		853515	.1	CLAMP 16/9	2	2	2	2	2	2	2
11		953400	.1	BRACKET	2	2	2	2	2	2	2
12		xxxxxx	.1	See chapt. 73-00-00 fig. 1	1	1	1	1	1	1	1
13		940980	.1	SCREW M3.5	1j	1j	1j	1j	1j	1j	1j
14		230290	.1	O-RING 44x2	2b	2b		2b		2b	2b
14		230300	.1	O-RING 47x2	2c	2c	2	2c	2	2c	2c
15		267789	.1	RUBBER FLANGE ASSY.	2f	2f	2f	2f	2f	2f	2f
16	s.v.	250315 250311	.1	WASHER 8.4	4	4	4	4	4	4	4
17		940481	.1	HEX. SCREW M8x30	2j	2j	2j	2j	2j		
18		240276	.1	HEX. SCREW M8x25	2j	2j	2j	2j	2j	4	4

- Items not illustrated

d06556.fm

BRP-Rotax
ILLUSTRATED PARTS CATALOG

FIG. & ITEM NO.	STATUS	PART NO.	INDENT	Description	Parts per Engine						
					912 A	912 F	912 S	912 UL	912 ULS	914 F	914 UL
19		931640	.1	GASKET	2e	2e		2e		2e	2e
20		874300	.1	DRIP TRAY	(2g)	(2g)	(2g)	(2g)	(2g)	2	2
21		230415	.1	GASKET A 6x10	2	2	2	2	2	2	2
22		641071	.1	HEX. SCREW M6x6	2	2	2	2	2	2	2

- Items not illustrated

- a For cylinder 2 and 4
- b From engine S/N up to engine S/N
912 A: 4,410.169 up to 4,410.335
912 F: 4,412.720 up to 4,412.782
912 UL: 4,401.595 up to 4,402.978
914 F: 4,420.011 up to 4,420.128
914 UL: 4,417.708 up to 4,417.727
- c From engine S/N
912 A: 4,410.336
912 F: 4,412.783
912 UL: 4,402.979
914 F: 4,420.129
914 UL: 4,417.728
- d up to engine S/N (only if the engine was not refitted with intake manifolds 867683 and 867688)
912 A: 4,410.336
912 F: 4,412.783
912 UL: 4,402.978
914 F: 4,420.128
914 UL: 4,417.727
- e Only at intake manifold without O-ring
- f Following Service Bulletin has to be noticed:
SB-912-030 letzte gültige Ausgabe/current issue
SB-914-019
- g Intended for airboxes without drip tray.
- h For rework of exhaust port
See Maintenance Manual Heavy of the respective engine type, current issue.
- i in a roll
- j Following Service Instruction has to be noticed:
SI-912-020 current issue
SI-914-022
- k For cylinder 1 and 3

d06556.fm

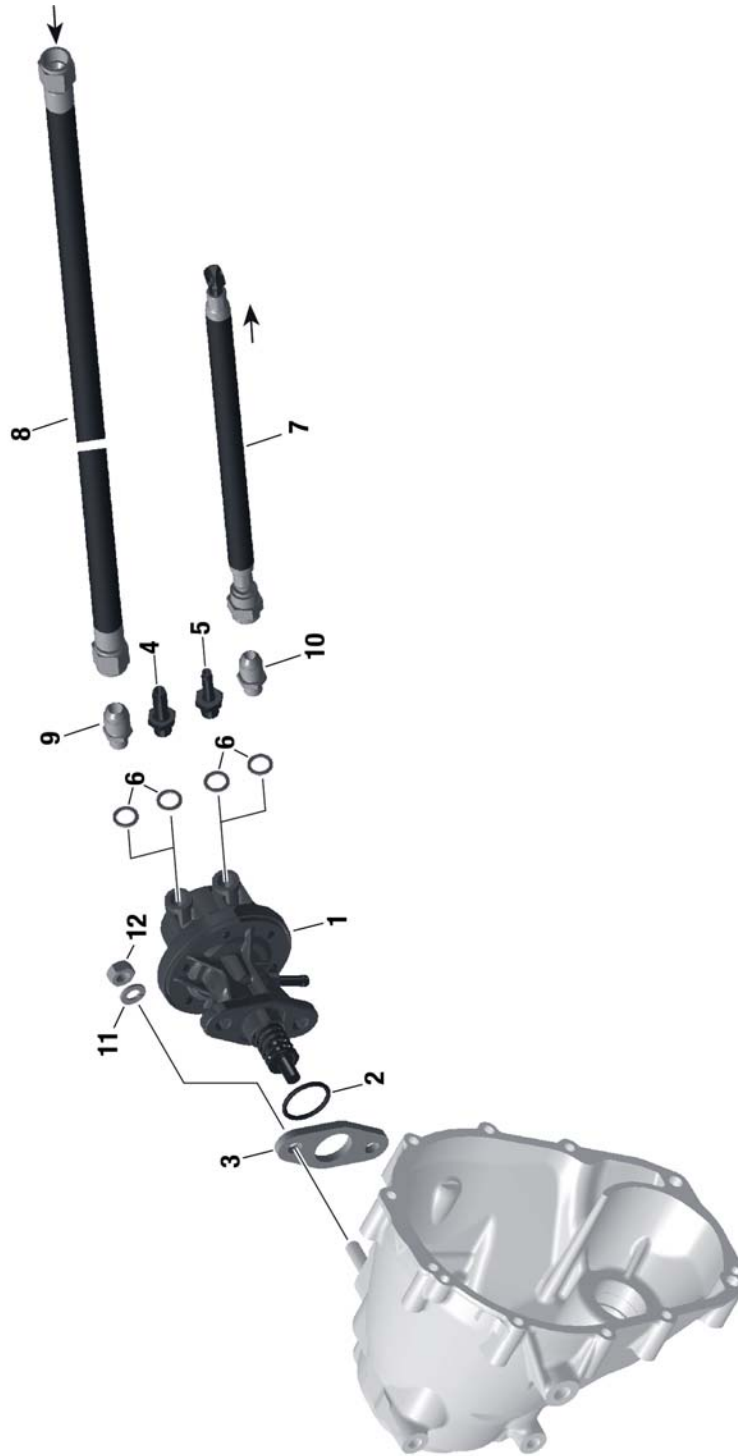
BRP-Rotax

ILLUSTRATED PARTS CATALOG

- I Intake manifold with connection boss for pneumatic carburetor-synchronisation.
 - From engine S/N
 - 912 A: 4,410.420
 - 912 F: 4,412.808
 - 912 S: 4,922.624
 - 912 UL: 4,404.045
 - 912 ULS: 4,426.475
 - 912 ULSFR: 4,429.593
 - 914 F: 4,420.239
 - 914 UL: 4,417.956

d06556.fm

BRP-Rotax
ILLUSTRATED PARTS CATALOG



09769_1

Fig. 73-10-00-2

d06556.fm

BRP-Rotax
ILLUSTRATED PARTS CATALOG

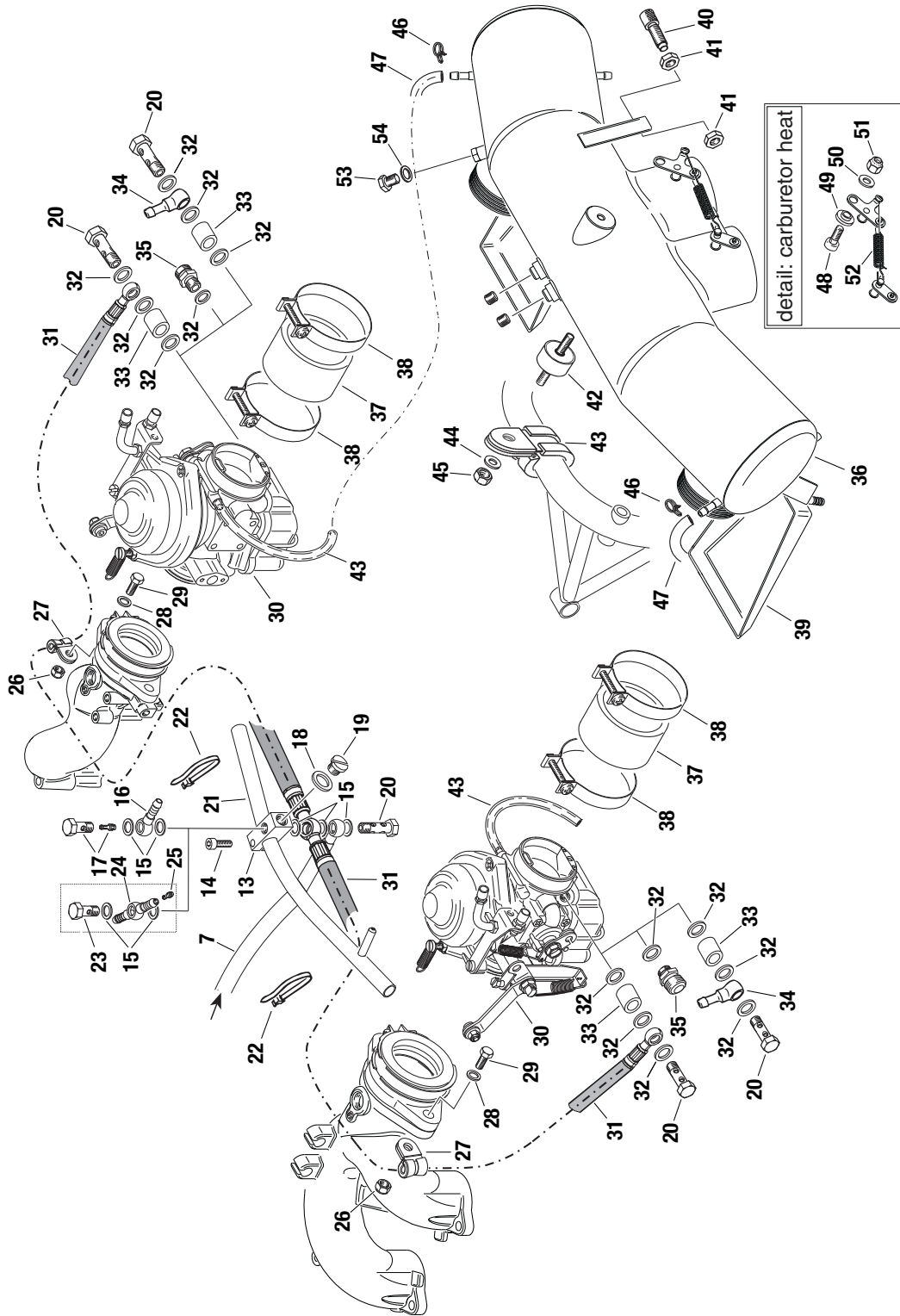


Fig. 73-10-00-2

09769_a

d06556.fm

BRP-Rotax
ILLUSTRATED PARTS CATALOG

Chapter) 73-10-00
FUEL PUMP ASSY., FUEL HOSE ASSY., AIRBOX ASSY.

FIG. & ITEM NO.	STATUS	PART NO.	INDENT	Description	Parts per Engine						
					912 A	912 F	912 S	912 UL	912 ULS	914 F	914 UL
2 1-3, 6-10	n.a.	893114	.1	FUEL PUMP ASSY.	(1)a	1a	1a	(1)a	(1)a		
2 1-3		893115	.1	FUEL PUMP ASSY.	1bi	1bi	1bi	1bi	1bi		
2		631870	..2	O-RING 23.47x2.62	1	1	1	1	1		
3		950227	..2	ISOLATING FLANGE	1	1	1	1	1		
4		840745	..2	NIPPLE 9/5.7	1i	1i	1i	1i	1i		
5		840740	..2	NIPPLE 7/3.8	1i	1i	1i	1i	1i		
6		250425	..2	GASKET RING 10.2x15x1.5	2i	2i	2i	2i	2i		
7		874337	..2	FUEL HOSE ASSY.	1i	1i	1i	1i	1i		
8		874347	..2	FUEL HOSE ASSY.	1i	1i	1i	1i	1i		
9		840770	..2	ADAPTER 9/16-18 UNF/ M10x1	1i	1i	1i	1i	1i		
10		840775	..2	ADAPTER 1/2-20 UNF/ M10x1	1i	1i	1i	1i	1i		
11	N s.v.	945832 945752	..2	LOCK WASHER A8	2	2	2	2	2		
12		942674	.1	HEX. NUT M8 SW11	2	2	2	2	2		
13	n.a.	851328 851327	.1	FUEL DISTRIBUTION BLOCK	(1)	1	1	(1)	(1)		
14		840518	.1	ALLEN SCREW M5x16	(1)	1	1	(1)	(1)		
15		950143	.1	SEALING RING A 8x13	(5)	5	5	(5)	(5)		
16		956312	.1	HOSE NIPPLE 3/4	(1)	(1)	(1)	(1)	(1)		
17		840737	.1	BANJO BOLT ASSY.	(1)d	1d	1d	(1)d	(1)d		
18		230150	.1	SEALING RING 10x14	(1)	1	1	(1)	(1)		
19		641733	.1	SLOTTED HEAD SCREW M10x1x8	(1)	1	1	(1)	(1)		
20		940872	.1	BANJO BOLT M8x1x27	3	3	3	(3)	(3)		
21		xxxxxx	.1	See fig. 1 / pos. 9	1	1	1	1	1		
22		866716	.1	CABLE TIE 203x7.6	2	2	2	(2)	(2)		

d06556.fm

BRP-Rotax

ILLUSTRATED PARTS CATALOG

FIG. & ITEM NO.	STATUS	PART NO.	INDENT	Description	Parts per Engine						
					912 A	912 F	912 S	912 UL	912 ULS	914 F	914 UL
23	s.v. N	941780 840735	.1	BANJO BOLT M8x1x17	(1)	1	1	(1)	(1)		
24- 25		956602	.1	DOUBLE HOSE NIPPLE ASSY.	(1)c	1c	1c	(1)c	(1)c		
25		963820	..2	PILOT JET 35	(1)	1	1	(1)	(1)		
26		942671	.1	HEX. NUT M8	2	2	2	2	2		
27		651430	.1	CABLE CLAMP 12/M8	2	2	2	(2)	(2)		
28		xxxxxx	.1	See fig. 1 / pos. 16	1	1	1	(1)	(1)		
29		xxxxxx	.1	See fig. 1 / pos. 17	6	6	6	(6)	(6)		
30		xxxxxx	.1	See chapt. 73-00-00 fig. 1	1	1	1	1	1	1	1
31		874911	.1	FUEL HOSE ASSY.	1	1	1	(1)	(1)		
32		950141	.1	GASKET RING A 8x13	6	6	6	(6)	(6)		
33		847796	.1	DISTANCE SLEEVE 8.4/12/7.5	2	2	2	(2)	(2)		
34		956312	.1	HOSE NIPPLE 3/4	2h	2h	2h	2h	2h		
35		941853	.1	FUEL LINE CONNECTOR	1j	1j	1j	1j	1j		
36- 52		667355	.1	AIRBOX ASSY.	1bg	1bg	(1)b g	(1)b g	(1)b g		
37		860985	..2	CONNECTING HOSE 35 MM	(2)	(2)	(2)	(2)	(2)		
38		853595	..2	CLAMP 59	(4)	(4)	(4)	(4)	(4)		
39		874308	..2	DRIP TRAY SET			(1f)		(1f)		
39		874680	..2	DRIP TRAY SET	(1e)	(1e)	(1e)	(1e)	(1e)		
40		241440	..2	ADJUSTMENT SCREW M6x0.75	(1)	(1)	(1)	(1)	(1)		
41		942541	..2	HEX. NUT M6x0.75 HIGHT 3 MM	(2)	(2)	(2)	(2)	(2)		
42		960151	..2	RUBBER PUFFER 20x15xM6	(1)	(1)	(1)	(1)	(1)		
43		853010	..2	CABLE CLAMP 32/M6	(1)	(1)	(1)	(1)	(1)		
44		927941	..2	WASHER 6.0/12/1	(1)	(1)	(1)	(1)	(1)		
45	N n.a.	842041 842040	..2	LOCK NUT M6	(1)	(1)	(1)	(1)	(1)		
46		851370	..2	CLAMP 8	(4)	(4)	(4)	(4)	(4)		

d06556.fm

BRP-Rotax
ILLUSTRATED PARTS CATALOG

FIG. & ITEM NO.	STATUS	PART NO.	INDENT	Description	Parts per Engine						
					912 A	912 F	912 S	912 UL	912 ULS	914 F	914 UL
47		860660	..2	HOSE 4x7, IN A ROLL, 200 MM	(2)	(2)	(2)	(2)	(2)		
48		241847	..2	ALLEN SCREW M5x12	(1)	(1)	(1)	(1)	(1)		
49		847741	..2	GRADUATED SLEEVE	(1)	(1)	(1)	(1)	(1)		
-		881980	..2	RETROFIT KIT FLEX. FUEL LINES	1i	1i	1i	1i	1i		
50		827800	..2	WASHER A 5.5	(1)	(1)	(1)	(1)	(1)		
51		842030	..2	LOCK NUT M5	(1)	(1)	(1)	(1)	(1)		
52		938030	.1	SPRING	(1)	(1)	(1)	(1)	(1)		
53		240771	.1	HEX. SCREW M6x10	(1)	(1)	(1)	(1)	(1)		
54		230415	.1	SEALING RING A 6x10	(1)	(1)	(1)	(1)	(1)		

- a Marked with S/N. Inclusive suction- and pressure line;
- b Marked with S/N.
- c With fuel pressure gauge connection; At conversion from 956312 to 956602 remove jet 963820 from banjo bolt.
- d Marked with yellow dot, with orifice;
- e Drip tray for airbox part no. 867758, 667162 and 667167
- f Drip tray for airbox part no. 867758
- g For retrofitting following Service Bulletin has to be noticed SB-912-044 current issue
- h Optional with connection flexible fuel lines;
- i See SI 912-020 current issue
- j For steel pipe

d06556.fm

BRP-Rotax
ILLUSTRATED PARTS CATALOG

NOTES

d06556.fm

BRP-Rotax
ILLUSTRATED PARTS CATALOG

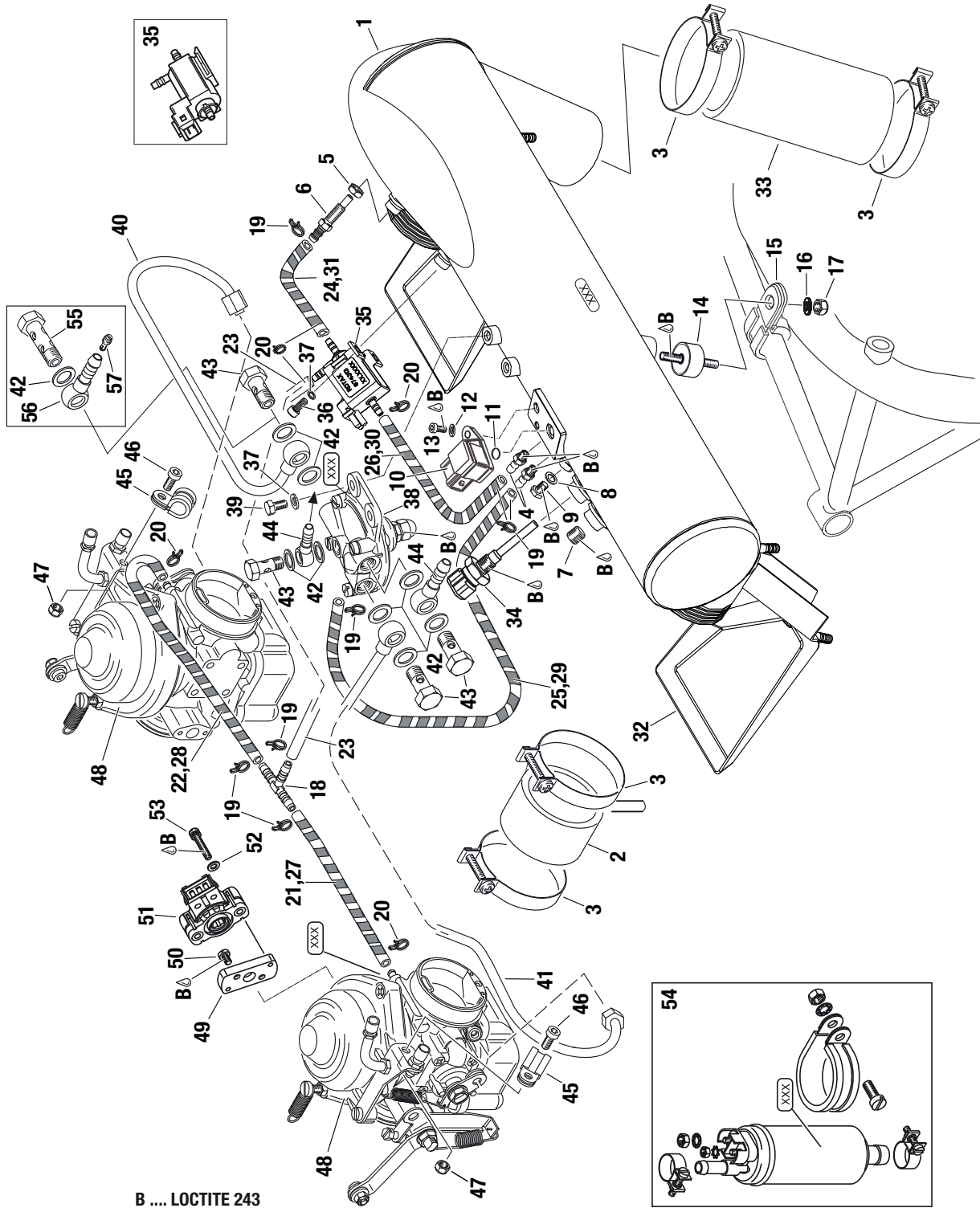


Fig. 73-10-00-3

09770

d06556.fm

BRP-Rotax

ILLUSTRATED PARTS CATALOG

Chapter) 73-10-00

AIRBOX ASSY., 3-WAY SOLENOID VALVE ASSY., FUEL PRESSURE REGULATOR ASSY.

FIG. & ITEM NO.	STATUS	PART NO.	INDENT	Description	Parts per Engine						
					912 A	912 F	912 S	912 UL	912 ULS	914 F	914 UL
3 1-33		667574	.1	AIRBOX ASSY.						1ai	1ai
1		-	..2	AIRBOX						1	1
2		860985	..2	CONNECTING HOSE 35 MM						(2)	(2)
3		853595	..2	CLAMP 59						6	6
4		940551	..2	HOSE NIPPLE M6						2	2
5	N s.v.	242032 242031	..2	HEX NUT BM6						1	1
6		940555	..2	HOSE NIPPLE M6						1	1
7	s.v.	240481 240480	..2	PLUG SCREW 1/8-27NPT						1	1
8		230415	..2	SEALING RING A 6x10						1	1
9		641071	..2	HEX. SCREW M6x6-8.8						1	1
10		xxxxxx	..2	See chapt. 76-10-00						1	1
11		430205	..2	O-RING 6.4x1.8						1	1
12		244216	..2	WASHER 6.2/14/1						1	1
13		840392	..2	ALLEN SCREW M6x14						1	1
13	s.v.	840391	..2	ALLEN SCREW M6x14						1	1
14		960151	..2	RUBBER PUFFER 20x15xM6						1	1
15		853010	..2	CABLE CLAMP 32/M6						1	1
16		927941	..2	WASHER 6.0/12/1						3	3
17	n.a.	842041 842040	..2	LOCK NUT M6						1	1
18		874270	..2	T-PEACE 6-6-6						2	2
19		851370	..2	CLAMP 8						7	7
20		951595	..2	CLAMP 7.3						5	5

- Items not illustrated

d06556.fm

BRP-Rotax
ILLUSTRATED PARTS CATALOG

FIG. & ITEM NO.	STATUS	PART NO.	INDENT	Description	Parts per Engine						
					912 A	912 F	912 S	912 UL	912 ULS	914 F	914 UL
21-26		860660	.2	HOSE 4x7						AR	AR
21			...3	IN A ROLL, HOSE 270 MM						1hi	1hi
22			...3	IN A ROLL, HOSE 310 MM						2j	2j
22			...3	IN A ROLL, HOSE 235 MM						1hi	1hi
23			...3	IN A ROLL, HOSE 110 MM						1j	1j
23			...3	IN A ROLL, HOSE 40 MM						1hi	1hi
24			...3	IN A ROLL, HOSE 130 MM						1hi	1hi
24			...3	IN A ROLL, HOSE 145 MM						1i	1i
25			...3	IN A ROLL, HOSE 160 MM						1hi	1hi
26			...3	IN A ROLL, HOSE 130 MM						1j	1j
26			...3	IN A ROLL, HOSE 190 MM						1hi	1hi
27-31		966060	.2	SPIRAL HOSE 6.5x8.5x0.6						AR	AR
27			...3	IN A ROLL SPIRAL HOSE, 270 MM						1hi	1hi
28			...3	IN A ROLL SPIRAL HOSE, 225 MM						1hi	1hi
29			...3	IN A ROLL SPIRAL HOSE, 130 MM						1hi	1hi
30			...3	IN A ROLL SPIRAL HOSE, 165 MM						1hi	1hi
31			...3	IN A ROLL SPIRAL HOSE, 125 MM						1hi	1hi
32		874680	.1	DRIP TRAY SET						(1g)	(1g)
33		860984	.1	AIR INTAKE HOSE 250 MM ± 3						1	1
34		966435	.1	RESISTANCE THERMOMETER						1n	1n
34		966430	.1	RESISTANCE THERMOMETER						1b	1b
35	n.a.	874310	.1	3-WAY SOLENOID VALVE ASSY.						1l	1l
35		874313	.1	3-WAY SOLENOID VALVE ASSY.						1l	1l
35		881040	.1	3-WAY SOLENOID VALVE RE-TROFIT KIT						1l	1l
36		840392	.1	ALLEN SCREW M6x14						2	2

- Items not illustrated

d06556.fm

BRP-Rotax
ILLUSTRATED PARTS CATALOG

FIG. & ITEM NO.	STATUS	PART NO.	INDENT	Description	Parts per Engine						
					912 A	912 F	912 S	912 UL	912 ULS	914 F	914 UL
37	N s.v.	945831 945751	.1	LOCK WASHER A6						4	4
38		887130	.1	FUEL PRESSURE REGULATOR ASSY.						1	1
39	N n.a.	241187 241186	.1	HEX. SCREW M6x16						2	2
40		874290	.1	FUEL HOSE ASSY. 1/3						1d	1d
41		874280	.1	FUEL HOSE ASSY.2/4						1c	1c
42		230150	.1	GASKET RING 10x14						9	9
43		940874	.1	BANJO BOLT M10x1x19						4	4
44		956314	.1	HOSE NIPPLE 4/6						2	2
45		851115	.1	CABLE CLAMP 5/M5						2	2
46	N s.v.	241842 241841	.1	ALLEN SCREW M5x12						2	2
47		842030	.1	LOCK NUT M5						2	2
48		xxxxxx	.1	See chapt. 73-00-00 fig. 1						2	2
49		861931	.1	ADAPTOR						1k	1k
50		640181	.1	SLOTTED HEAD SCREW M4x7						2f	2f
51		966482	.1	THROTTLE VALVE POSITION SENSOR						1k	1k
52		244073	.1	WASHER 4.3						2f	2f
53		841030	.1	COMBINED SCREW M4x22						2f	2f
54		996738	.1	FUEL PUMP						2	2
55		940873	.1	BANJO BOLT M10x1x30						(1m) o	(1m) o
56		956314	.1	HOSE NIPPLE 4/6						(1m)	(1m)
57		963143	.1	IDLE JET 35						1 (mo)	1 (mo)

- Items not illustrated

- a Marked with S/N.
- b Only for TCU part no. 966470;

d06556.fm

BRP-Rotax

ILLUSTRATED PARTS CATALOG

- c For cylinder 2/4
- d For cylinder 1/3
- e Used as water trap
- f Also included in carburetor for 914 Cyl. 2/4.
- g Drip tray for airbox part no. 867758, 667162 and 667167
- h For use of airbox part no. 667162
See therefore SI-914-013 current issue
- i For use of airbox part no. 667167
See therefore SI-914-015 current issue
- j For use of airbox part no. 867753
- k New adapter flange use only together with throttle valve position sensor. See therefore SI-25-1997
- l See Service Instruction SI-914-022 current issue
- m Optional for fuel pressure gauge connection
- n Not for TCU - part no. 966470
- o Press into part at pos. 56.

d06556.fm

BRP-Rotax
ILLUSTRATED PARTS CATALOG

NOTES

d06556.fm

BRP-Rotax
ILLUSTRATED PARTS CATALOG

**CHAPTER INCLUDES ONLY
NOT CERTIFIED PARTS**

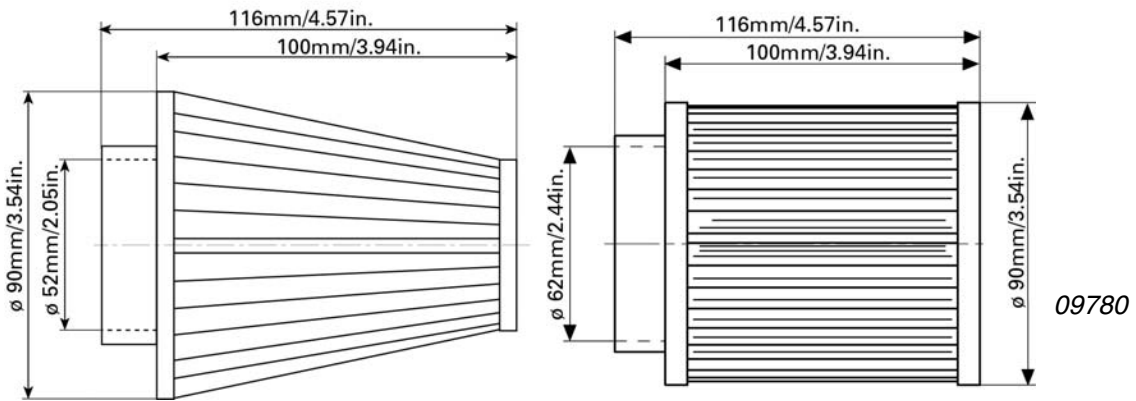
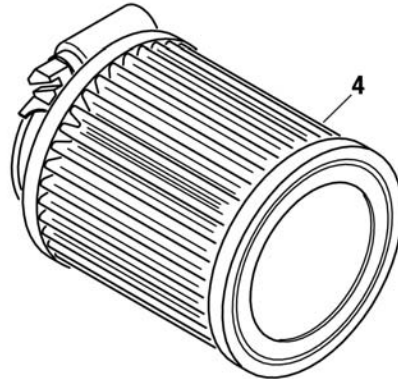
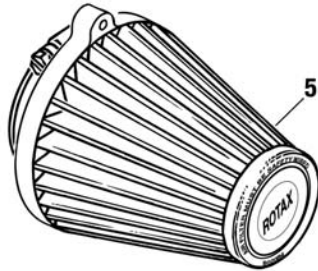
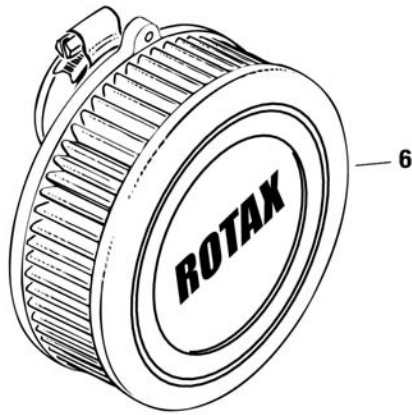
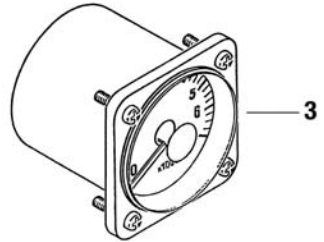
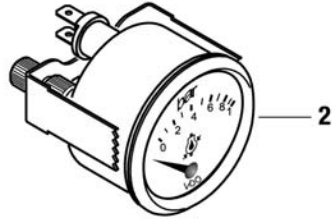
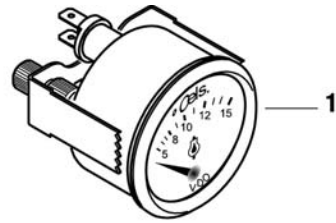


Fig. 73-10-00-4

d06556.fm

BRP-Rotax
ILLUSTRATED PARTS CATALOG

Chapter) 73-10-00
INSTRUMENTS, AIR FILTER

FIG. & ITEM NO.	STATUS	PART NO.	INDENT	Description	Parts per Engine						
					912 A	912 F	912 S	912 UL	912 ULS	914 F	914 UL
4 1	n.a	956525	.1	TEMPERATURE GAUGE 50-150 DEG.	(1)a	(1)a	(1)a	(1)a	(1)a	(1)a	(1)a
2		956520	.1	PRESSURE GAUGE (0-146 psi) (0-10 bar)	(1)b	(1)b	(1)b	(1)b	(1)b	(1)b	(1)b
3		966408	.1	REV COUNTER 0-7000 1/MIN	(1)c	(1)c	(1)c	(1)c	(1)c	(1)c	(1)c
4		825750	.1	AIR FILTER						(1)	(1)
5		825551	.1	AIR FILTER	(2)	(2)	(2)	(2)	(2)		
6		825711	.1	AIR FILTER	(2)d	(2)d	(2)d	(2)d	(2)d		

- Items not illustrated

- a For oil temperature and / or cylinder head temperature
- b For oil pressure; for old VDO sensor, not usable with part no. 456180
- c For engine speed;
- d Following Service Instruction has to be noticed
SI-912-017 current issue

d06556.fm

BRP-Rotax
ILLUSTRATED PARTS CATALOG

NOTES

d06556.fm

BRP-Rotax
ILLUSTRATED PARTS CATALOG

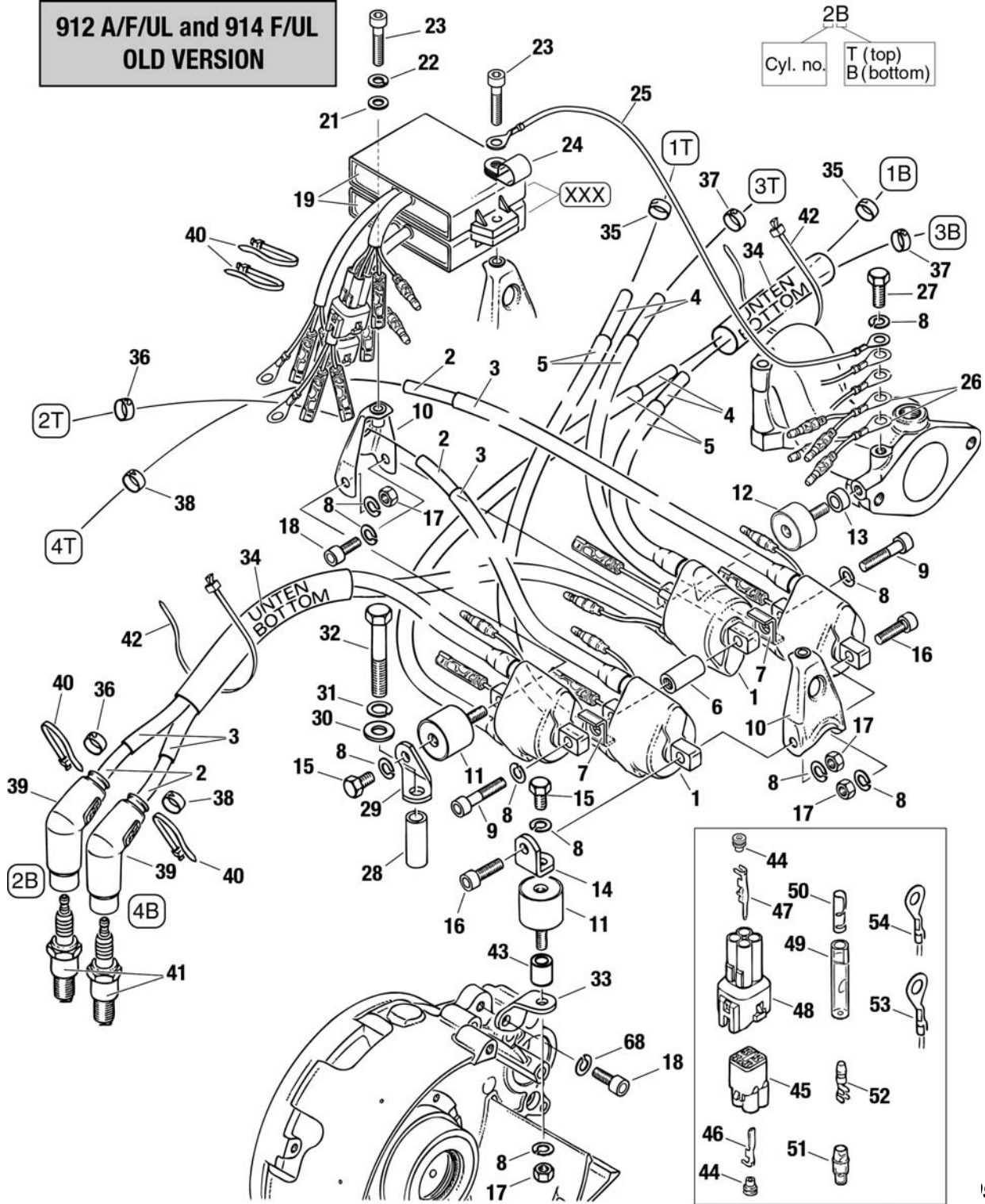
NOTES

d06599.fm

BRP-Rotax

ILLUSTRATED PARTS CATALOG

**912 A/F/UL and 914 F/UL
OLD VERSION**



Bild/fig. 74-20-00-1

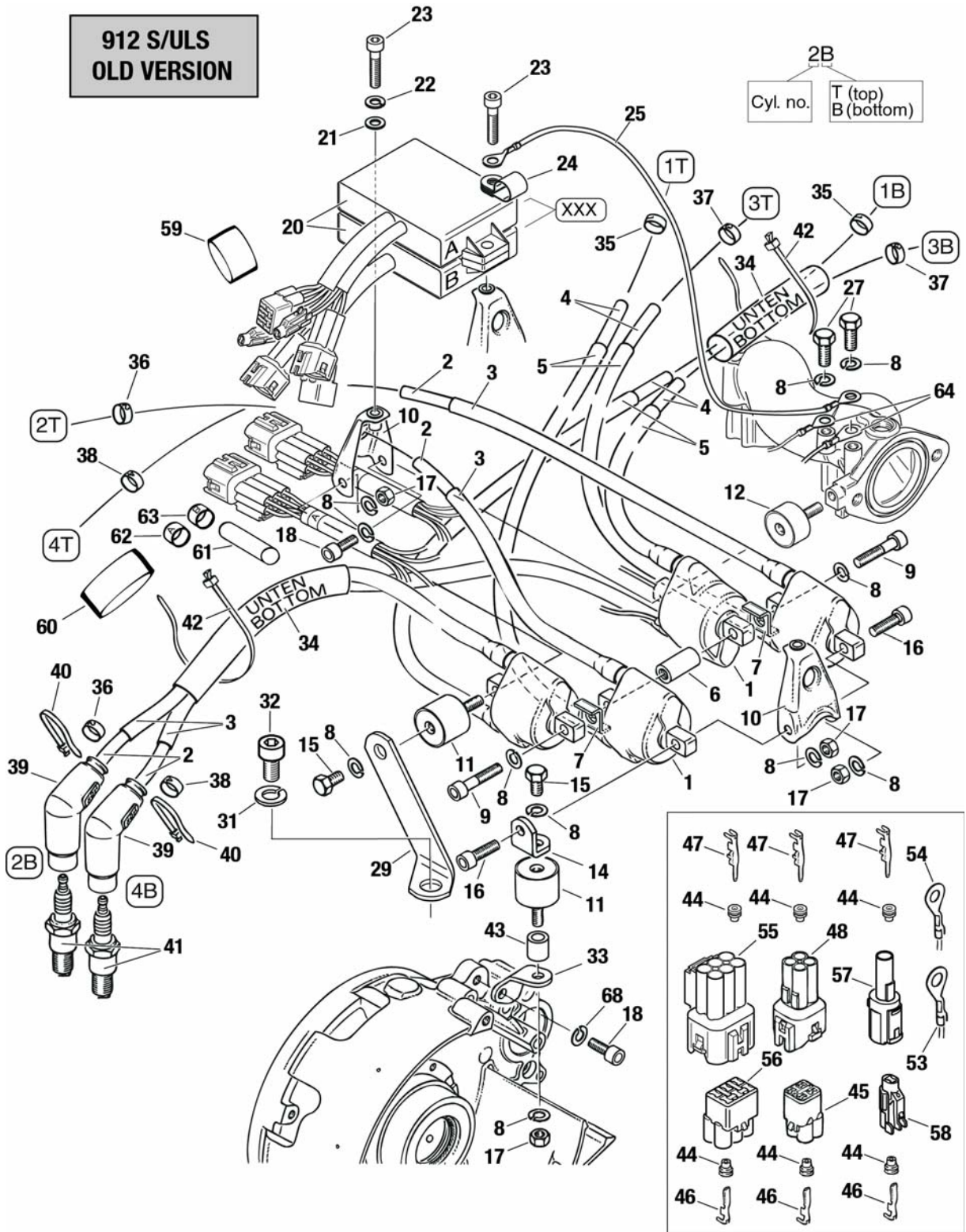
19775

d06599.fm

BRP-Rotax

ILLUSTRATED PARTS CATALOG

**912 S/ULS
OLD VERSION**



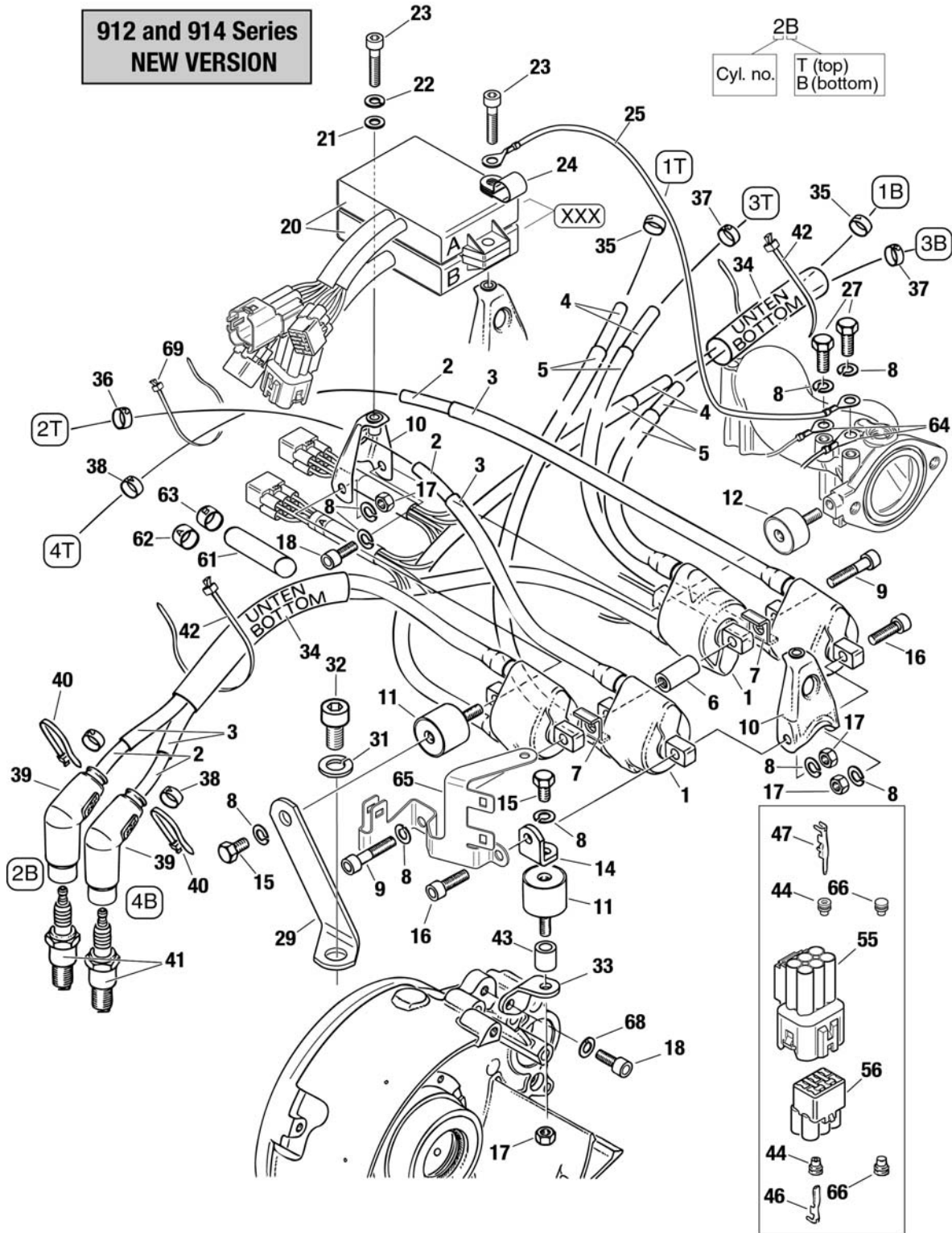
Bild/fig. 74-20-00-2

d06599.fm

BRP-Rotax

ILLUSTRATED PARTS CATALOG

**912 and 914 Series
NEW VERSION**



Bild/fig. 74-20-00-3

09777

d06599.fm

BRP-Rotax

ILLUSTRATED PARTS CATALOG

Chapter) 74-20-00

DOUBLE IGNITION COIL ASSY., SMD- ELECTRONIC MODULE

FIG. & ITEM NO.	STATUS	PART NO.	INDENT	Description	Parts per Engine						
					912 A	912 F	912 S	912 UL	912 ULS	914 F	914 UL
1, 2, 3	N s.v.	966219 966215	.1	DOUBLE IGNITION COIL	4s	4s		4s		4s	4s
1-5		966218	.1	DOUBLE IGNITION COIL ASSY.	4m	4m	4m	4m	4m	4m	4m
2		865710	..2	IGNITION CABLE 7 MM	ARa	ARa	ARa	ARa	ARa	ARa	ARa
3		860990	..2	PROTECTION HOSE 8x1	ARb	ARb	ARb	ARb	ARb	ARb	ARb
4		865710	..2	IGNITION CABLE 7 MM	ARc	ARc	ARc	ARc	ARc	ARc	ARc
5		860990	..2	PROTECTION HOSE 8x1	ARd	ARd	ARd	ARd	ARd	ARd	ARd
6		842740	.1	DISTANCE NUT M6x24	1	1		1			
6		842742	.1	DISTANCE NUT M6x22.5	(1)l	(1)l	1	(1)l	1	1	1
7		953390	.1	SEPARATING PLATE	(2)l	(2)l	2	(2)l	2	2	2
8	N s.v.	945831 945751	.1	LOCK WASHER A6	9p	9p	10p	9p	10p	9p	9p
9		840883	.1	ALLEN SCREW M6x30	2	2	2	2	2	2	2
10		953127	.1	IGNITION COIL BRACKET ASSY.	2	2	2	2	2	2	2
11		860710	.1	RUBBER BUFFER 25x19xM6	2	2	2	2	2	2	2
12		960060	.1	RUBBER BUFFER 25x15xM6	1	1	1	1	1	1	1
12		860710	.1	RUBBER BUFFER 25x19xM6	1i	1i		1i		1i	1i
13		247700	.1	SPACER 6.4/10/5	ARe	ARe	ARe	ARe	ARe	ARe	ARe
14		851260	.1	IGNITION COIL BRACKET 1	1	1	1	1	1	1	1
15	s.v.	240772 240771	.1	HEX. SCREW M6x10	2	2	2	2	2	2	2
16	N s.v.	241935 241930	.1	ALLEN SCREW M6x20	2	2	2	2	2	2	2
17		242211	.1	HEX. NUT M6	4	4	4	4	4	4	4

- Items not illustrated

d06599.fm

BRP-Rotax

ILLUSTRATED PARTS CATALOG

FIG. & ITEM NO.	STATUS	PART NO.	INDENT	Description	Parts per Engine						
					912 A	912 F	912 S	912 UL	912 ULS	914 F	914 UL
18	N s.v.	241237 241236	.1	ALLEN SCREW M6x16	3	3	3	3	3	3	3
19	n.a. N	965359 965446	.1	SMD-ELECTRONIC MODULE (4p+single con.)	2	2		2		2	2
20	n.a. N	966724 965440	.1	SMD-ELECTRONIC MODULE (6p+4p+single con.)			2f		2f		
20	n.a. N	966728 965442	.1	SMD-ELECTRONIC MODULE (6p+6p+single con.)						2m	2m
20	n.a. N	966729 965444	.1	SMD-ELECTRONIC MODULE (6p+6p+single con.)	2o	2o	2o	2o	2o		
21		827800	.1	WASHER A 5.5	1	1	1	1	1	1	1
22	N	945830	.1	LOCK WASHER A5	1	1	1	1	1	1	1
22	s.v.	945750	.1	LOCK WASHER A5	1	1	1	1	1	1	1
23		240186	.1	ALLEN SCREW M5x25	2	2	2	2	2	2	2
24		851118	.1	CABLE CLAMP 11.3/M5	1	1	1	1	1	1	1
25		965788	.1	MASS CABLE ASSY.	1	1	1	1	1	1	1
26		965781	.1	MASS CABLE ASSY.	2	2		2		2	2
27	N	241187	.1	HEX. SCREW M6x16	1	1	2	1	2	1	1
27	n.a.	241186	.1	HEX. SCREW M6x16	1	1	2	1	2	1	1
28		847792	.1	SPACER 8.4/12/30	1g	1g	1g	1g	1g	1g	1g
29		851266	.1	BRACKET	1g	1g	1g	1g	1g	1g	1g
29		851481	.1	BRACKET	1h	1h	1h	1h	1h	1h	1h
30		250311	.1	WASHER 8.4	1g	1g	1g	1g	1g	1g	1g
31	N s.v.	945832 945752	.1	LOCK WASHER A8	1g	1g	1g	1g	1g	1g	1g
32		240281	.1	HEX. SCREW M8x50	1g	1g	1g	1g	1g	1g	1g
32	N s.v.	440192 440191	.1	ALLEN SCREW M8x16	1h	1h	1h	1h	1h	1h	1h
33		851267	.1	BRACKET	1	1	1	1	1	1	1

- Items not illustrated

d06599.fm

BRP-Rotax
ILLUSTRATED PARTS CATALOG

FIG. & ITEM NO.	STATUS	PART NO.	INDENT	Description	Parts per Engine						
					912 A	912 F	912 S	912 UL	912 ULS	914 F	914 UL
34		860734	.1	GLASS FIBER-SILICON SHEATING 120	2	2	2	2	2	2	2
35		860741	.1	MARKING SLEEVE 1	2	2	2	2	2	2	2
36		860742	.1	MARKING SLEEVE 2	2	2	2	2	2	2	2
37		860743	.1	MARKING SLEEVE 3	2	2	2	2	2	2	2
38		860744	.1	MARKING SLEEVE 4	2	2	2	2	2	2	2
39	s.v.	265249 265248	.1	SPARK PLUG SOCKET	8	8	8	8	8	8	8
40		866710	.1	CLAMP 142x2.5 MM	8	8	8	8	8	8	8
41	s.v.	897255	.1	SPARK PLUG 12 MM	8	8		8			
41	s.v.	297940	.1	SPARK PLUG 12 MM			8		8		
41	s.v.	881330	.1	SPARK PLUG 12 MM						8	8
41		297656	.1	SPARK PLUG 12 MM	8	8	8	8	8	8	8
42		251920	.1	CLAMP 279x3.6 MM	2	2	2	2	2	2	2
43		847701	.1	SPACER 6.5/10/11	(1)j	(1)j	(1)j	(1)j	(1)j	1	1
44		260130	.1	CABLE GROMMET	AR	AR	AR	AR	AR	AR	AR
45		265260	.1	CONNECTOR HOUSING 4-POLE	AR	AR	AR	AR	AR	AR	AR
46		265275	.1	FASTON CONNECTOR	AR	AR	AR	AR	AR	AR	AR
47		265210	.1	FLAT PIN TERMINAL	AR	AR	AR	AR	AR	AR	AR
48		265262	.1	CONNECTOR HOUSING 4-POLE	AR	AR	AR	AR	AR	AR	AR
49		964072	.1	INSULATION SHEATH	AR	AR		AR		AR	AR
50		964067	.1	FASTON CONNECTOR 3.96	AR	AR		AR		AR	AR
51		964077	.1	INSULATION SHEAT	AR	AR		AR		AR	AR
52		964062	.1	FASTON CONNECTOR 3.96	AR	AR		AR		AR	AR
53		964059	.1	CABLE SHOE M6	AR	AR	AR	AR	AR	AR	AR
54		964055	.1	CABLE SHOE M5	AR	AR	AR	AR	AR	AR	AR

- Items not illustrated

d06599.fm

BRP-Rotax

ILLUSTRATED PARTS CATALOG

FIG. & ITEM NO.	STATUS	PART NO.	INDENT	Description	Parts per Engine						
					912 A	912 F	912 S	912 UL	912 ULS	914 F	914 UL
55		265269	.1	CONNECTOR HOUSING 6-POLE	AR	AR	AR	AR	AR	AR	AR
56		265265	.1	CONNECTOR HOUSING 6-POLE	AR	AR	AR	AR	AR	AR	AR
57		265204	.1	CONNECTOR HOUSING 1-POLE	AR	AR	AR	AR	AR	AR	AR
58		265207	.1	CONNECTOR HOUSING 1-POLE	AR	AR	AR	AR	AR	AR	AR
59		960260	.1	SHRINK TUBE COATED			ARI		ARI		
59		-	.1	SHRINK TUBE 20 MM			1k		1k		
60		960300	.1	SHRINK TUBE COATED 48/16			ARk		ARk		
60		-	.1	SHRINK TUBE 20 MM			1k		1k		
61	n.a	-	.1	PROTECTION HOSE 60 MM	2	2	2	2	2	2	2
62		960010	.1	SHRINKABLE HOSE IMPRINTED A	1	1	1	1	1	1	1
63		960015	.1	SHRINKABLE HOSE IMPRINTED B	1	1	1	1	1	1	1
64		965782	.1	MASS CABLE ASSY.	2	2	2	2	2	2	2
64		965784	.1	MASS CABLE ASSY.	2m	2m	2m	2m	2m	2m	2m
65		853125	.1	CONNECTOR BRACKET	1m	1m	1m	1m	1m	1m	1m
66		260135	.1	DUMMY PLUG	1m	1m	1m	1m	1m	1m	1m
67		881280	.1	SOFT START SET	1q	1q	1q	1q	1q	1q	1q
68	N s.v.	827962 827961	.1	WASHER 6.4	1	1	1	1	1	1	1
68	N s.v.	945831 945751	.1	LOCK WASHER A6	1	1	1	1	1	1	1
69		866714	.1	TIE WRAP 142x3,2 MM	2r	2r	2r	2r	2r	2r	2r
-	N s.v.	964081 964090	.1	EASY START UNLOCK CABLE ASSY.	1	1	1	1	1		

- Items not illustrated

a In a roll, Ignition cable 620 mm;

d06599.fm

BRP-Rotax

ILLUSTRATED PARTS CATALOG

- b In a roll, Protection hose 560 mm
- c In a roll, Protection hose 500 mm
- d In a roll, Protection hose 450 mm
- e Not necessary at intake manifold part no. 867688;
- f Marked with S/N;

Introduced as per S/N as follows:

- 04.0388 with altered insulation only for spare parts
- g for crankcase part no. 886354, part no. 886358 and older;
- h At crankcase part no. 888364 or newer crankcase;
- i Not suitable for intake manifold part no. 867688;
- j Necessary at version with ring mount;
- k In a roll
- l Use part no. 842742 and 953390 only together;
- m SI-912-013 / SI-914-016 current issue

See Maintenance Manual Heavy of the respective engine type, current issue.

- n In a roll, silicone hose 120 mm
- o SI-912-020 / SI-914-022 current issue
- p 1x lock washer A6 part no. 945751 is not needed after production-year 2010 on position between the bracket 2 part no. 851267 and the hex. nut M6.
- q Without magneto wheel consisting of 20, 21, 22, 23, 44, 46
- r Required for the following cylinders: 413235 / 413236 / 413245 / 413246 / 413185 / 413195. Danger of abrasion!
- s Short lines connected with 965359 and 965446. Length = 85 mm (instead of 70 mm).

BRP-Rotax
ILLUSTRATED PARTS CATALOG

NOTES

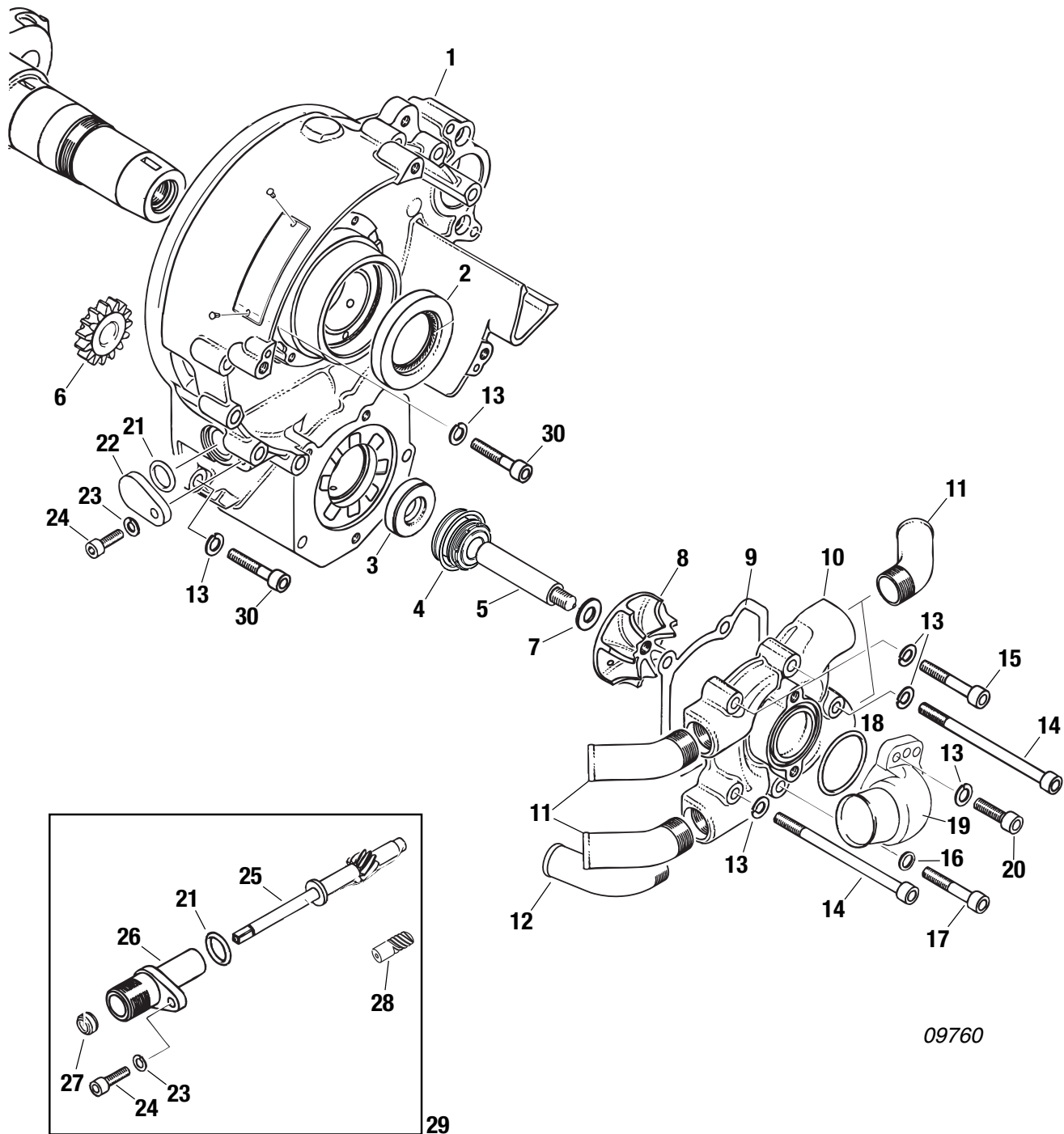
d06599.fm

BRP-Rotax
ILLUSTRATED PARTS CATALOG

NOTES

d06558.fm

BRP-Rotax
ILLUSTRATED PARTS CATALOG



09760

Fig. 75-20-00-1

d06558.fm

BRP-Rotax
ILLUSTRATED PARTS CATALOG

Chapter) 75-20-00
WATER PUMP WITH DRIVE

FIG. & ITEM NO.	STATUS	PART NO.	INDENT	Description	Parts per Engine						
					912 A	912 F	912 S	912 UL	912 ULS	914 F	914 UL
1 1		612047	.1	IGNITION HOUSING ASSY.	1d	1d	1d	1d	1d	1d	1d
1		612046		IGNITION HOUSING ASSY.	1g	1g	1g	1g	1g	1g	1g
2		850965	.1	OIL SEAL 32x52x7	1	1	1	1	1	1	1
3		850977	.1	OIL SEAL A 12x30x7 FPM	1	1	1	1	1	1	1
4	n.a.	850946 850945	.1	ROTARY SEAL	1c	1c	1c	1c	1c	1c	1c
5		837111	.1	PUMP SHAFT	1	1	1	1	1	1	1
6		834135	.1	WATER PUMP GEAR 15 T	1	1	1	1	1	1	1
7		926274	.1	WASHER 8.2/12.5/1.5	1ac	1ac	1ac	1ac	1ac	1ac	1ac
8		922224	.1	IMPELLER	1	1	1	1	1	1	1
9		850981	.1	GASKET	1	1	1	1	1	1	1
10		922202	.1	WATER PUMP HOUSING	1	1	1	1	1	1	1
11		922233	.1	BENT SOCKET 45 DEGREES	3	3	3	3	3	3	3
12		922231	.1	BENT SOCKET 80 DEGREES	1b	1b	1b	1b	1b	1b	1b
13	N	827962	.1	WASHER A6.4	13	13	13	13	13	13	13
13	s.v.	945751	.1	LOCK WASHER A6	13	13	13	13	13	13	13
14	N s.v.	241482 241481	.1	ALLEN SCREW M6x90	2	2	2	2	2	2	2
15	N s.v.	241814 241811	.1	ALLEN SCREW M6x35	2	2	2	2	2	2	2
16		230415	.1	GASKET RING A6x10	1	1	1	1	1	1	1
17		241813	.1	ALLEN SCREW M6x35 STAINLESS	1a	1a	1a	1a	1a	1a	1a
18		230020	.1	O-RING 32x2	1	1	1	1	1	1	1
19		922218	.1	WATER INLET ELBOW	1	1	1	1	1	1	1
20	N	241935	.1	ALLEN SCREW M6x20	2	2	2	2	2	2	2

- Items not illustrated

d065584n

BRP-Rotax
ILLUSTRATED PARTS CATALOG

FIG. & ITEM NO.	STATUS	PART NO.	INDENT	Description	Parts per Engine						
					912 A	912 F	912 S	912 UL	912 ULS	914 F	914 UL
20	s.v.	241930	.1	ALLEN SCREW M6x20	2	2	2	2	2	2	2
21		230880	.1	O-RING 13.3-2.4	1	1	1	1	1	1	1
22		810620	.1	COVER PLATE	1	1	1	1	1	1	1
23	N s.v.	945830 945750	.1	LOCK WASHER A5	1	1	1	1	1	1	1
24	N s.v.	840514 840511	.1	ALLEN SCREW M5x16	1	1	1	1	1	1	1
25		837150	.1	REV COUNTER SHAFT	1	1	1	1	1	1	1
26		912191	.1	REV COUNTER HOUSING	1h	1h	1h	1h	1h	1h	1h
27		930500	.1	OIL SEAL 6x11x3/4.5	1	1	1	1	1	1	1
28		834182	.1	WORM GEAR 5 T.	1f	1f	1f	1f	1f	1f	1f
29+1-8, 13, 30		881692	.1	MECH. REV COUNTER DRIVE RETROFIT KIT	(1f)	(1f)	(1f)	(1f)	(1f)	(1f)	(1f)
30	N s.v.	840888 840880	.1	ALLEN SCREW M6x30	7	7	7	7	7	7	7

- Items not illustrated

- a Stainless
- b Optional for engine suspension frame
- c The rotary seal has been introduced as from following S/N. Up to this S/N the rotary seal has to be exchanged together with part no. 926274 / 922224:
912 A: 4,410.366
912 F: 4,412.791
912 S: starting with serial production
912 UL: 4,403.283
912 ULS: starting with serial production
914 F: 4,420.157
914 UL: 4,417.783
- d For mech. rev counter drive without centering bore for pick up.
For engines without mech. rev. counter drive part no. 230880, 945830 and part no. 840514 has to be mounted additional.
- e See therefore
SB-912-037 current issue
SB-914-023
- f See Maintenance Manual Heavy of the respective engine type, current issue
- g Without processing for mech. rev counter drive
- h Will be delivered in circle shape

d06558.fm

BRP-Rotax
ILLUSTRATED PARTS CATALOG

NOTES

d06558.fm

BRP-Rotax
ILLUSTRATED PARTS CATALOG

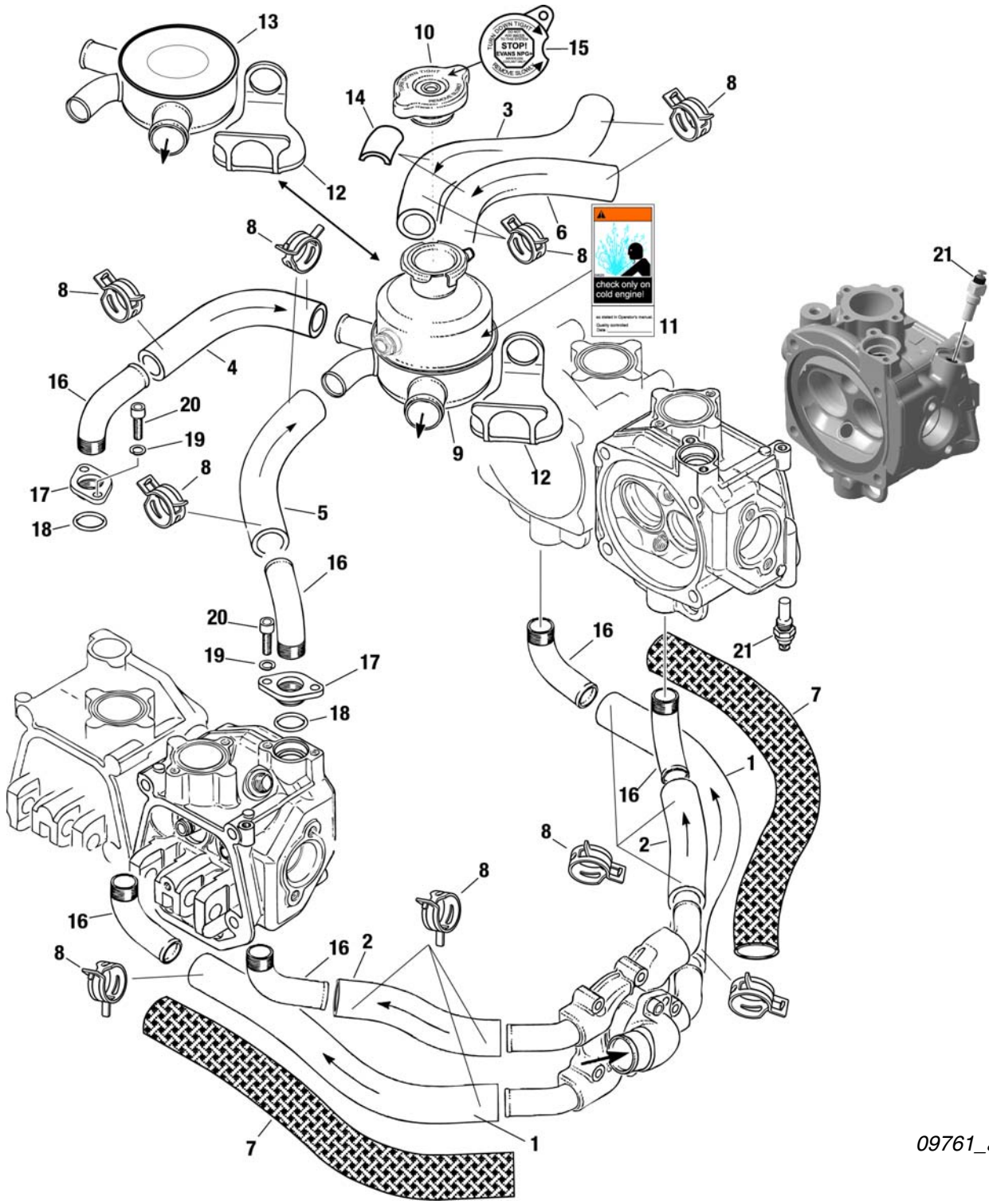


Fig. 75-20-00-2

09761_a

d06558.fm

BRP-Rotax

ILLUSTRATED PARTS CATALOG

Chapter) 75-20-00

EXPANSION TANK WITH HOSES AND CONNECTIONS

FIG. & ITEM NO.	STATUS	PART NO.	INDENT	Description	Parts per Engine						
					912 A	912 F	912 S	912 UL	912 ULS	914 F	914 UL
2 1-5		922250	.1	WATER TUBE	ARh	ARh	ARh	ARh	ARh	ARh	ARh
1		922362	..2	WATER TUBE 280 MM	2a	2a	2a	2a	2a	2a	2a
2		922360	..2	WATER TUBE 180 MM	2b	2b	2b	2b	2b	2b	2b
3		922361	..2	WATER TUBE 285 MM	1c	1c	1c	1c	1c	1c	1c
4		922363	..2	WATER TUBE 200 MM	1f	1f	1f	1f	1f	1f	1f
5		922364	..2	WATER TUBE 85 MM	1g	1g	1g	1g	1g	1g	1g
6		922192	.1	FORM HOSE 90	1e	1e	1e	1e	1e	1e	1e
7		860650	.1	PROTECTION TUBE (HEAT RESISTANT)						ARh	ARh
8		851645	.1	SELF COMPENSATING CLAMP 25	16j	16j	16j	16j	16j	16j	16j
9-12		922666	.1	EXPANSION TANK ASSY.	1j	1j	1j	1j	1j	1j	1j
10	N n.a.	922072 922070	..2	RADIATOR CAP WITH GASKET 1.2 BAR	1j	1j	1j	1j	1j	1j	1j
11		897506	..2	WARNING LABEL	1	1	1	1	1	1	1
12		860826	..2	RUBBER PLATE	1	1	1	1	1	1	1
13		922263	.1	WATER DISTRIBUTOR ASSY.	(1i)	(1i)	(1i)	(1i)	(1i)	(1i)	(1i)
14		922543	.1	SCHUTZSCHLAUCH 30 MM PROTECTION HOSE 30 MM	1d	1d	1d	1d	1d	1d	1d
15		898490	.1	WARNING LABEL EVANS COOLANT	ARk	ARk	ARk	ARk	ARk	ARk	ARk
16		922231	.1	BENT SOCKET 80 DEGREES	8	8	8	8	8	8	8
16		922233	.1	BENT SOCKET 45 DEGREES	(8)	(8)	(8)	(8)	(8)	(8)	(8)
17		922303	.1	FLANGE	4	4	4	4	4	4	4
18		950180	.1	O-RING 19x2	4	4	4	4	4	4	4

- Items not illustrated

d06558.fm

BRP-Rotax
ILLUSTRATED PARTS CATALOG

FIG. & ITEM NO.	STATUS	PART NO.	INDENT	Description	Parts per Engine						
					912 A	912 F	912 S	912 UL	912 ULS	914 F	914 UL
19	N	827962	.1	WASHER A6.4	8	8	8	8	8	8	8
19	N	945831	.1	LOCK WASHER A6	8	8	8	8	8	8	8
	s.v.	945751									
20	N	241935	.1	ALLEN SCREW M6x20	8	8	8	8	8	8	8
	s.v.	241930									
21		965531	.1	TEMPERATURE SENSOR	2j	2j	2j	2j	2j	2j	2j

- Items not illustrated

- a Supply to cylinder 1 and 2
- b Supply to cylinder 3 and 4
- c Discharge Cylinder 1
- d As scrab-protector for version 3
- e Discharge Cylinder 3
- f Discharge Cylinder 2
- g Discharge Cylinder 4
- h In a roll use
- i Expansion tank for radiator installation above engine;
- j See SI-912-020 + SI-914-022 current issue
- k See SB-914-043 current issue

d06558.fm

BRP-Rotax
ILLUSTRATED PARTS CATALOG

NOTES

d06558.fm

BRP-Rotax

ILLUSTRATED PARTS CATALOG

Chapter) 75-20-00

COOLING AIR BAFFLE, OVERFLOW BOTTLE WITH CAP, RADIATOR

FIG. & ITEM NO.	STATUS	PART NO.	INDENT	Description	Parts per Engine						
					912 A	912 F	912 S	912 UL	912 ULS	914 F	914 UL
3 1-2	n.a.	922312	.1	EXPANSION TANK ASSY. 90 DEGREE	(1)	(1)	(1)	(1)	(1)	(1)	(1)
1-2		922313	.1	EXPANSION TANK ASSY. 90 DEGREE	(1)	(1)	(1)	(1)	(1)	(1)	(1)
2-3	n.a.	922317	.1	EXPANSION TANK ASSY. 180 DEGREE	(1)	(1)	(1)	(1)	(1)	(1)	(1)
2-3		922318	.1	EXPANSION TANK ASSY. 180 DEGREE	(1)	(1)	(1)	(1)	(1)	(1)	(1)
2	n.a.	922072 922070	..2	RADIATOR CAP WITH GASKET 1.2 BAR	1c	1c	1c	1c	1c	1c	1c
4		641071	.1	HEX. SCREW ISO M6x6	AR	AR	AR	AR	AR	AR	AR
5		922327	.1	OVERFLOW BOTTLE WITH CAP	(1)d	(1)d	(1)d	(1)d	(1)d	(1)d	(1)d
6		995698	.1	RADIATOR - STANDARD 12 fins	(1)	(1)	(1)	(1)	(1)	(1)	(1)
7	N n.a.	997084 997083	.1	RADIATOR - ADVANCED 13 fins	(1)f	(1)f	(1)f	(1)f	(1)f	(1)f	(1)f
8		975795	.1	COOLING AIR BAFFLE	(1)a	(1)a	(1)a	(1)a	(1)a	(1)a	(1)a
8		975799	.1	COOLING AIR BAFFLE	(1)j	(1)j	(1)j	(1)j	(1)j	(1)j	(1)j
9	n.a.		.1	COOLING AIR BAFFLE	(1)b	(1)b	(1)b	(1)b	(1)b	(1)b	(1)b
10		897506	.1	WARNING LABEL	1	1	1	1	1	1	1
11		898490	.1	WARNING LABEL EVANS COOLANT	(NB)	(NB)	(NB)	(NB)	(NB)	(NB)	(NB)
12		940557	.1	HOSE NIPPLE M6	1d	1d	1d	1d	1d	1d	1d
13		242213	.1	HEX. NUT M6	1d	1d	1d	1d	1d	1d	1d
14		881530	.1	RADIATOR RETROFIT KIT	1g	1g	1g	1g	1g	1g	1g
15-16		975792	.1	COOLING AIR BAFFLE	(1)h	(1)h	(1)h	(1)h	(1)h	(1)h	(1)h

- Items not illustrated

d06558.fm

BRP-Rotax
ILLUSTRATED PARTS CATALOG

FIG. & ITEM NO.	STATUS	PART NO.	INDENT	Description	Parts per Engine						
					912 A	912 F	912 S	912 UL	912 ULS	914 F	914 UL
15-16		975798	.1	COOLING AIR BAFFLE	(1)i	(1)i	(1)i	(1)i	(1)i	(1)i	(1)i
16		975799	..2	RUBBER GUMMET	(1)	(1)	(1)	(1)	(1)	(1)	(1)

- Items not illustrated

- a Short version; marked with S/N; tractor, white
- b Edition Diamond
Marked with S/N;
- c See Service Instruction SI-912-020 / SI-914-022 current issue
- d See Service Bulletin SB-912-039 / SB-914-029 current issue
- e See Service Bulletin SB-912-043 / SB-914-029 current issue
- f Same outline dimensions and brackets as TNr. 995698, but with improved cooling performance (18 % bigger cooling surface)
- g Use together with part no. 997083
For retrofitting instead of radiator part no. 997082
- h Cooling air baffle for pusher, color white
- i Cooling air baffle for pusher, color black
- j Cooling air baffle for tractor, color black

d06558.fm

BRP-Rotax
ILLUSTRATED PARTS CATALOG

NOTES

d06559.fm

BRP-Rotax

ILLUSTRATED PARTS CATALOG

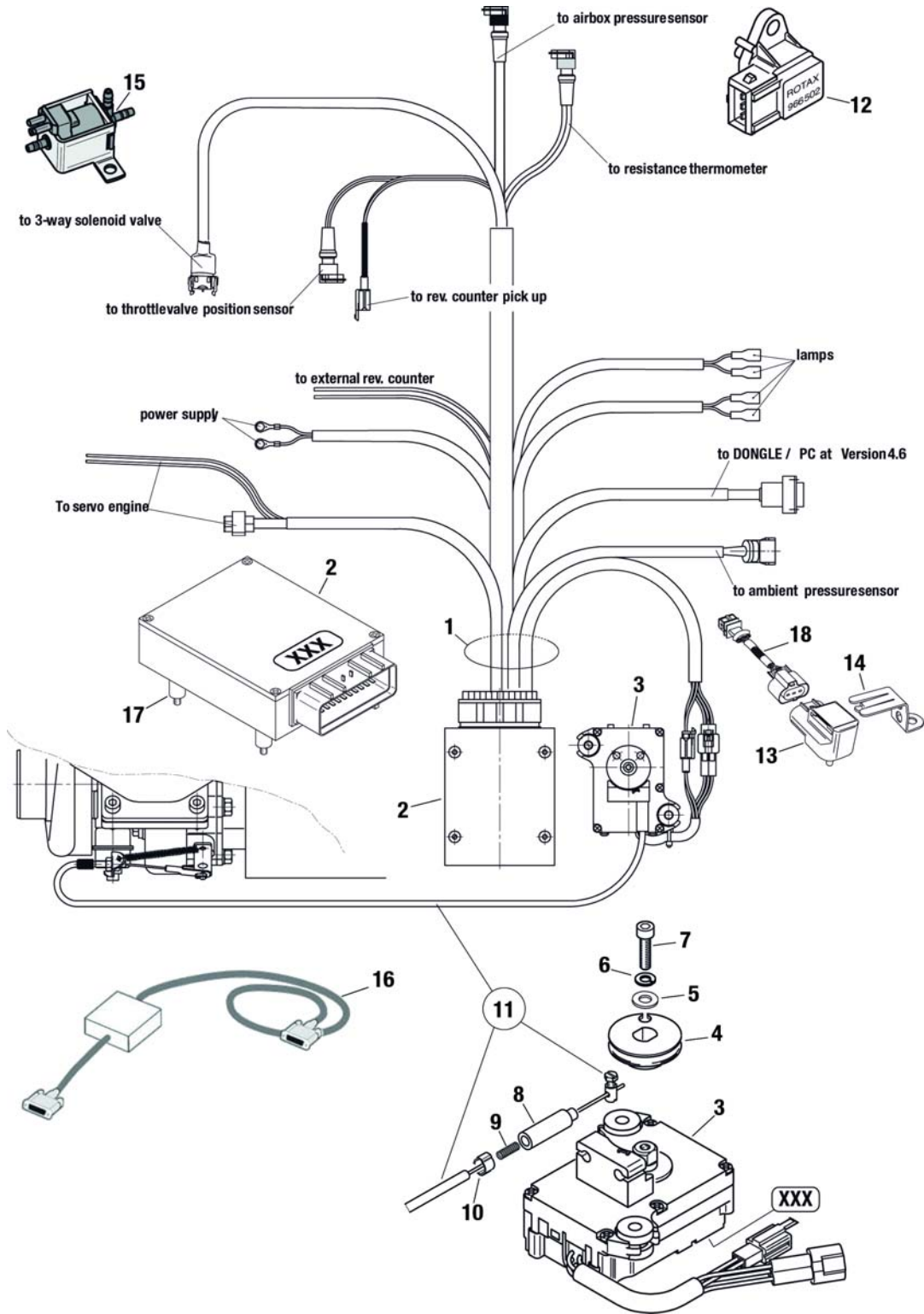


Fig. 76-10-00-1

09783

d06559.fm

BRP-Rotax
 ILLUSTRATED PARTS CATALOG
Chapter) 76-10-00
TURBOCHARGER CONTROL UNIT

FIG. & ITEM NO.	STATUS	PART NO.	INDENT	Description	Parts per Engine						
					912 A	912 F	912 S	912 UL	912 ULS	914 F	914 UL
1 1	s.v. N	966494 966495	.1	WIRING HARNESS						1d	1d
2		966741	.1	TURBOCHARGER CONTROL UNIT (TCU) 4.6						1a	1a
3		295410	.1	SERVO MOTOR						1b	1b
4		280088	.1	ROPE SHEAVE						1	1
5		926180	.1	WASHER A 5.2x14.8x1.5						1	1
6	N s.v.	945830 945750	.1	LOCK WASHER A5						1	1
7		441341	.1	ALLEN SCREW M5x20						1	1
8		847882	.1	CABLE RETAINER						1	1
9		239015	.1	COMPRESSION SPRING 16.9						1	1
10		853845	.1	CLAMP 5-7 MM						1	1
11		897941	.1	CABLE BOWDEN ASSY.						1	1
12		966502	.1	AIRBOX PRESSURE SENSOR						1c	1c
13		274051	.1	AMBIENT PRESSURE SENSOR						1d	1d
13	n.a.	966507	.1	AMBIENT PRESSURE SENSOR OLD						1d	1d
14		924990	.1	HOLDING BRACKET FOR 274051						1dh	1dh
15		xxxxxx	.1	See chapt. 73-10-00, fig. 3						1	1
16		-	.1	CALIBRATION-SET						1fh	1fh
17		660771	.1	RUBBER BUFFER 10x15xM4						4	4
18		666012	.1	CONNECTOR CABLE						1g	1g

- Items not illustrated

d06559.fm

BRP-Rotax

ILLUSTRATED PARTS CATALOG

- a Version 4.6; used from following engine S/N in serial production:
914 F: von / from S/N 4,420.200
914 UL: von / from S/N 4,417.849

Retrofit at older engines possible according SB/SI;

Marked with S/N;

- b Marked with S/N;
- c Airbox pressure sensor
- d See Service Instruction SI-914-022 current issue
- e Only for part no. 966741 (version 4.6)
- f For authorized distributors only
- g Connector cable, wiring harness part no. 966492 with sensor part no. 274051
See Service Instruction SI-914-022
- h Non certified part

d06559.fm

BRP-Rotax
ILLUSTRATED PARTS CATALOG

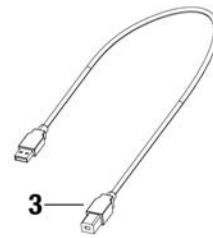
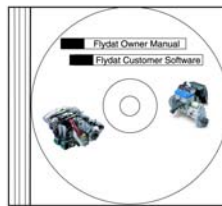
NOTES

d06560.fm

BRP-Rotax
ILLUSTRATED PARTS CATALOG

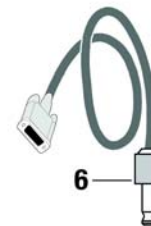
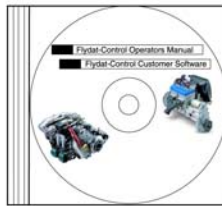
CHAPTER INCLUDES ONLY
NOT CERTIFIED PARTS

FOR FLYDAT PART NO. 886858



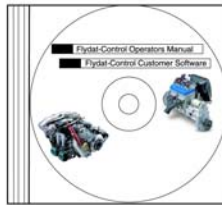
1
3

FOR FLYDAT PART NO. 886857



4
6

FOR FLYDAT PART NO. 886855/886856



7
10
9

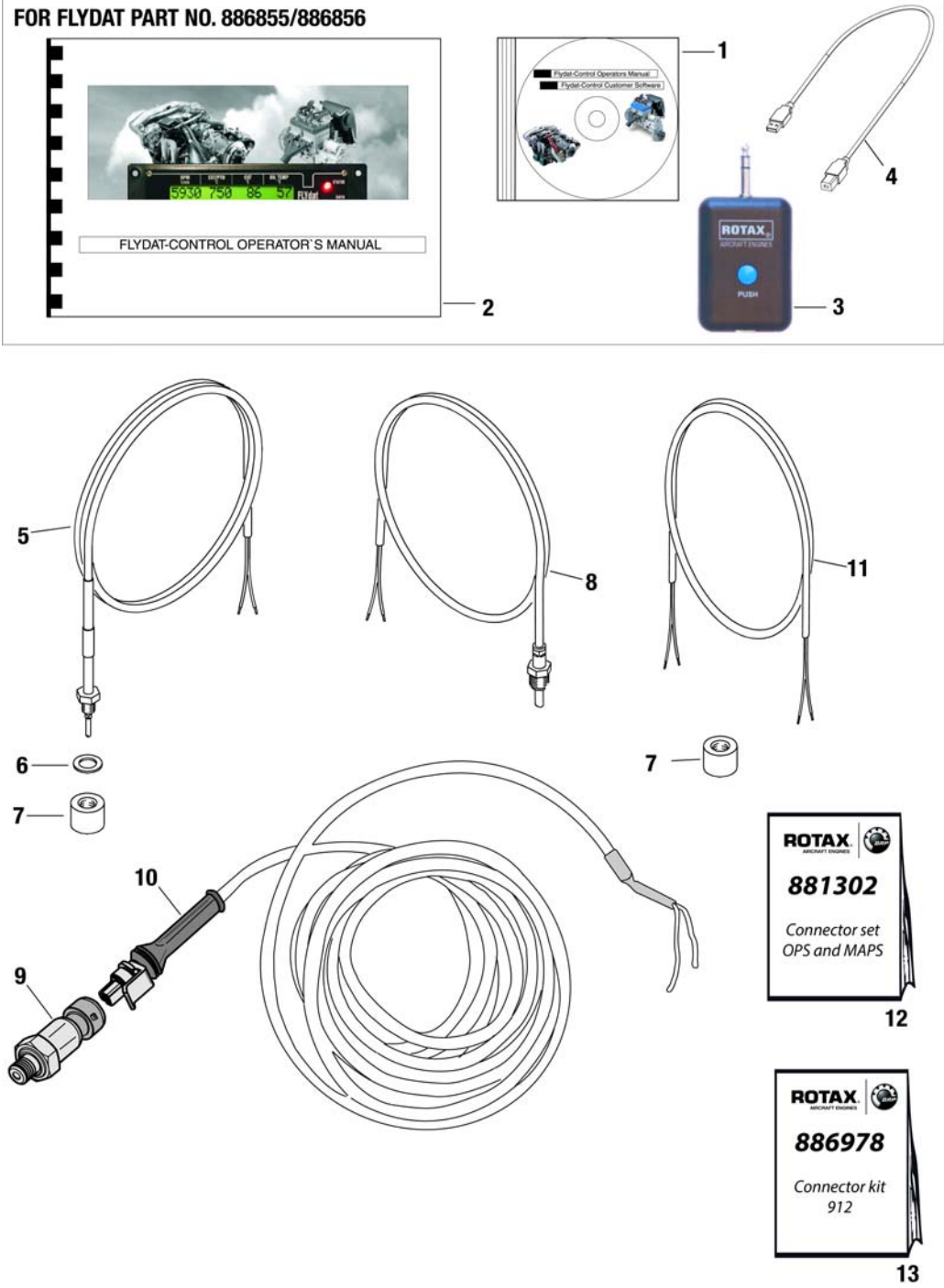
09782

Fig. 76-20-00-1

d06560.fm

BRP-Rotax
ILLUSTRATED PARTS CATALOG

**CHAPTER INCLUDES ONLY
NOT CERTIFIED PARTS**



09781

Fig. 76-20-00-2

d06560.fm

BRP-Rotax
ILLUSTRATED PARTS CATALOG

Chapter) 76-20-00
FLYDAT, SENSOR SET (all parts optional)

FIG & ITEM NO.	STATUS	PART NO.	INDENT	Description	Parts per Engine						
					912 A	912 F	912 S	912 UL	912 ULS	914 F	914 UL
1-4		891315	.1	FLYDAT-MONITORING-SET				1	1		1
1-4			.1	FLYDAT-COMMUNICATION-SET				1d	1d		1d
1	n.a.		..2	CD-ROM, MANUAL, SOFTWARE				1c	1c		1c
2	n.a.		..2	OPERATORS MANUAL				1c	1c		1c
3	n.a.		..2	FLYDAT CONTROL UNIT				1c	1c		1c
4	n.a.		..2	COMMUNICATION CABLE USB 2.0 A TO B				1c	1c		1c
5-10		886978	.1	SENSOR KIT 912				1	1		1
5		966370	..2	THERMO COUPLE NICR-NI K				4g	4g		4g
6		950141	..2	GASKET RING A 8x13				4	4		4
7		842758	..2	SOLDERING NUT M8x1				4f	4f		4f
8		966385	..2	RESISTANCE THERMOMETER				2e	2e		2e
9		xxxxxx	..2	See chapt. 79-20-00				1k	1k		1k
10		xxxxxx	..2	See chapt. 79-20-00				1k	1k		1k
11	n.a.	965990	.1	EXTENSION WIRE NICR-NI				ARh	ARh		ARh
12		881302	.1	CONNECTOR SET OPS AND MAPS				1l	1l		1l
13		886978	.1	SENSOR KIT 912				1m	1m		1m

- Items not illustrated

- a Not available as spare part; Included in the FLYDAT ASSY. part no. 886858;
- b Not available as spare part; Included in the FLYDAT ASSY. part no. 886857;
- c Not available as spare part; Included in the FLYDAT MONITORING SET;
- d Only available for authorized distributors;
- e For cylinder head

d06560.fm

BRP-Rotax

ILLUSTRATED PARTS CATALOG

- f For EGT sensor
- g For exhaust gas temperature (EGT);
- h For thermo couple NiCr-Ni K;
- i Stainless, for EGT sensor
- j With service reset button and USB-connector;
- k See Service Instruction SI-912-020/SI-914-022, current issue
- l Connector set for part no. 456180 without cable
- m For engine type 912 UL+ULS: 4x EGT, 2x CHT, 1x OPS + small parts

d06560.fm

BRP-Rotax
ILLUSTRATED PARTS CATALOG

NOTES

d06560.fm

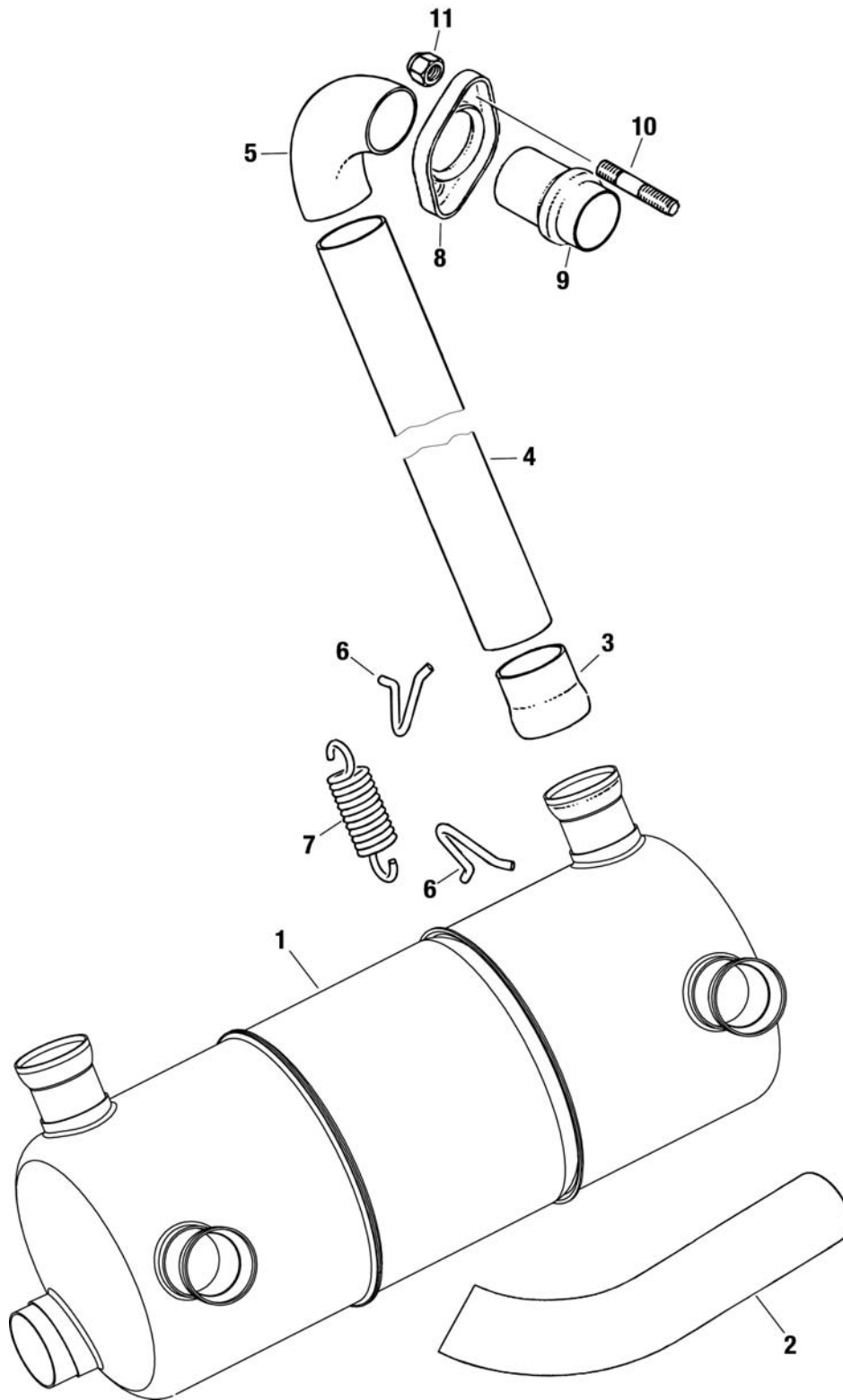
BRP-Rotax
ILLUSTRATED PARTS CATALOG

NOTES

d06561.fm

BRP-Rotax

ILLUSTRATED PARTS CATALOG



09772

Fig. 78-10-00-2

d06561.fm

BRP-Rotax

ILLUSTRATED PARTS CATALOG

Chapter) 78-10-00

EXHAUST SYSTEM

FIG. & ITEM NO.	STATUS	PART NO.	INDENT	Description	Parts per Engine							
					912 A	912 F	912 S	912 UL	912 ULS	914 F	914 UL	
1 1-7		978489	.1	EXHAUST ASSORTMENT STAINLESS STEEL	(1)c	(1)c		(1)c				
1-7		973676	.1	EXHAUST ASSORTMENT STAINLESS STEEL	(1)	(1)	(1)a	(1)	(1)			
1		978060	..2	MUFFLER ASSY. STANDARD	(1)	(1)		(1)				
1		978063	..2	MUFFLER ASSY. STAINLESS	(1)	(1)		(1)				
1		973674	..2	MUFFLER ASSY. STAINLESS	(1)	(1)	(1)a	(1)	(1)			
2	N s.v.	978603 978600	..2	EXHAUST ELBOW, STANDARD	(1)	(1)		(1)				
2	N s.v.	978605 978601	..2	EXHAUST ELBOW, STAINLESS	(1)	(1)	(1)a	(1)	(1)			
3		978520	..2	BALL JOINT, MALE	(4)	(4)		(4)				
3		978521	..2	BALL JOINT, MALE STAINLESS	(4)	(4)	(4)a	(4)	(4)			
4		978997	..2	EXHAUST TUBE 800 MM STANDARD	(2)	(2)	(1)	(2)	(1)			
4		978998	..2	EXHAUST TUBE 800 MM STAINLESS	(2)	(2)	(2)a	(2)	(2)			
5	N s.v.	978500 978496	..2	EXHAUST ELBOW ASSY. 1.5 MM STAINLESS	(2)b	(2)b	(2)b	(2)b	(2)b			
6		853355	..2	HOOK	(16)	(16)		(16)				
6		853356	..2	HOOK STAINLESS	(16)	(16)	(16)a	(16)	(16)			
7		938795	..2	SPRING 66 MM	(8)	(8)	(8)a	(8)	(8)			
8	N s.v.	978246 978245	.1	EXHAUST FLANGE	4	4	4	4	4			
9		978252	.1	EXHAUST SOCKET	4	4	4	4	4			
10	N s.v.	940368 940366	.1	STUD M8x23/20	8	8	8	8	8	8	8	8

- Items not illustrated

d06561.fm

BRP-Rotax

ILLUSTRATED PARTS CATALOG

FIG. & ITEM NO.	STATUS	PART NO.	INDENT	Description	Parts per Engine						
					912 A	912 F	912 S	912 UL	912 ULS	914 F	914 UL
11		842950	.1	LOCK NUT M8-WS12	8	8	8	8	8	8	8

- Items not illustrated

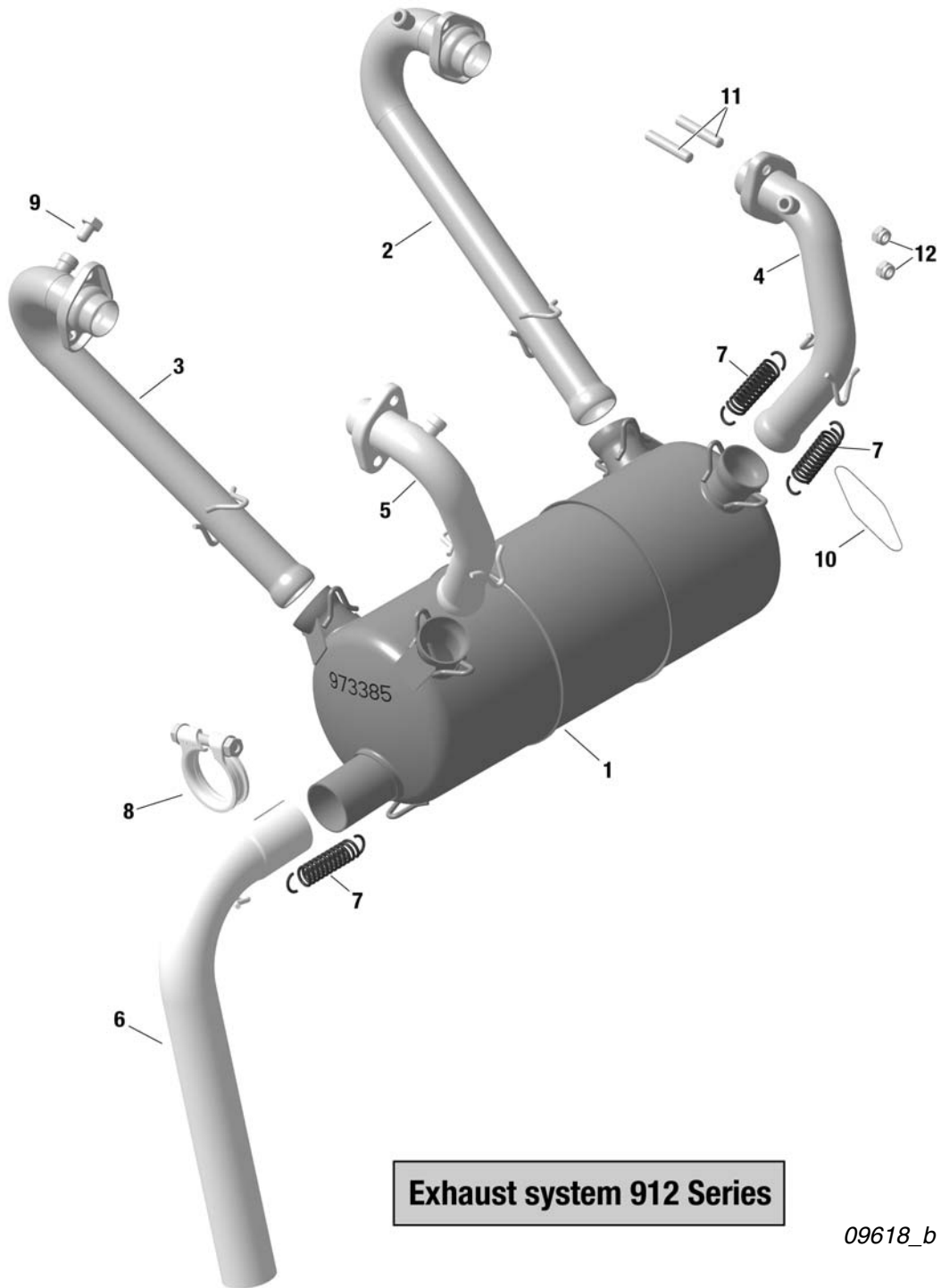
- a certified part
- b 360° anular ring (torus-shaped)
- c For 80 HP engine only! Do not use on 100 HP engine with muffler assy. part no. 978063.

BRP-Rotax
ILLUSTRATED PARTS CATALOG

NOTES

d06561.fm

BRP-Rotax
ILLUSTRATED PARTS CATALOG



Exhaust system 912 Series

09618_b

Fig. 78-10-00-2

d06561.fm

BRP-Rotax

ILLUSTRATED PARTS CATALOG

Chapter) 78-10-00

EXHAUST SYSTEM 912 SERIES

FIG. & ITEM NO.	STATUS	PART NO.	INDENT	Description	Parts per Engine						
					912 A	912 F	912 S	912 UL	912 ULS	914 F	914 UL
2	1-9	973387	.1	EXHAUST ASSORTMENT STAIN- LESS STEEL	1	1	1	1	1		
	1	973385	..2	MUFFLER ASSY.	1	1	1	1	1		
	2	973010	..2	EXHAUST PIPE ASSY. CLY. 1	1	1	1	1	1		
	3	973020	..2	EXHAUST PIPE ASSY. CLY. 2	1	1	1	1	1		
	4	973030	..2	EXHAUST PIPE ASSY. CLY. 3	1	1	1	1	1		
	5	973040	..2	EXHAUST PIPE ASSY. CLY. 4	1	1	1	1	1		
	6	973390	..2	EXHAUST BELOW, STAINLESS	1	1	1	1	1		
	7	938795	..2	SPRING 66 MM	9	9	9	9	9		
	8	951550	..2	EXHAUST PIPE CLAMP ASSY.	1	1	1	1	1		
	9	841113	..2	HEX. SCREW M8X1X10	4	4	4	4	4		
	10	297555	.1	SAFETY WIRE 0.8	AR	AR	AR	AR	AR		
	11	940366	.1	STUD M8x23/20	8	8	8	8	8		
	12	842950	.1	LOCK NUT M8-WS12	8	8	8	8	8		

d06561.fm

BRP-Rotax
ILLUSTRATED PARTS CATALOG

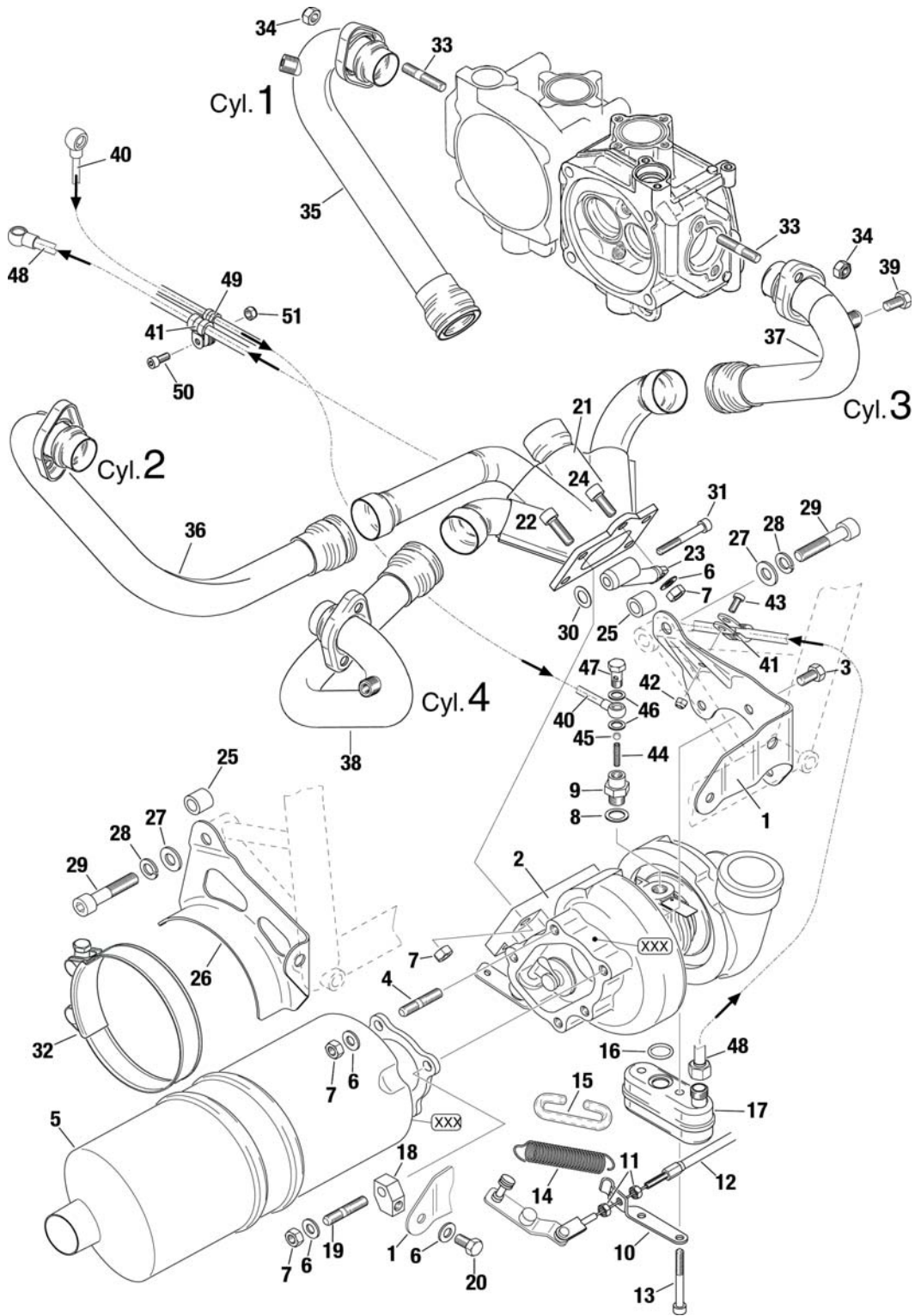


Fig. 78-10-00-2

09771

d06561.fm

BRP-Rotax

ILLUSTRATED PARTS CATALOG

Chapter) 78-10-00

MUFFLER, TURBOCHARGER, OIL SUMP CONTAINER

FIG. & ITEM NO.	STATUS	PART NO.	INDENT	Description	Parts per Engine						
					912 A	912 F	912 S	912 UL	912 ULS	914 F	914 UL
3 1	N	851294	.1	TURBO BRACKET						1	1
1	n.a.	851293	.1	TURBO BRACKET						1	1
2-4		887129	.1	TURBOCHARGER ASSY.						1agh	1agh
3		940583	..2	HEX. SCREW M8x16 STAINLESS						4	4
4		940173	..2	STUD M8x19.5/13						4b	4b
5	N s.v.	979407 979406	.1	MUFFLER ASSY. STAINLESS						1af	1af
6		250313	.1	WASHER 8.4 STAINLESS						7	7
7		242203	.1	HEX. NUT M8 STAINLESS						10	10
8		250640	.1	GASKET A 12x18-CU						1	1
9		956486	.1	VALVE HOUSING						1	1
10		851392	.1	CABLE SUPPORT						1	1
11		242211	.1	HEX. NUT M6						2	2
12		xxxxxx	.1	see chapt. 76-00-00						1	1
13		640600	.1	HEX. SCREW M6x55						2	2
14		838232	.1	TENSION SPRING STAINLESS						1	1
15		960080	.1	SILICONE TUBE 5x8						ARc	ARc
16		430225	.1	O-RING 15.9-2.3						1	1
17		956495	.1	OIL SUMP ASSY.						1	1
18		953280	.1	SUPPORT PLATE						1	1
19		641343	.1	STUD M8x30/13						1a	1a
20		940583	.1	HEX. SCREW M8x16 STAINLESS						1	1
21	N n.a.	979416 979414	.1	EXHAUST MANIFOLD ASSY. STAINLESS						1f	1f
22		240083	.1	ALLEN SCREW M8x25 STAINLESS						4	4

d06561.fm

BRP-Rotax
ILLUSTRATED PARTS CATALOG

FIG. & ITEM NO.	STATUS	PART NO.	INDENT	Description	Parts per Engine						
					912 A	912 F	912 S	912 UL	912 ULS	914 F	914 UL
23		953303	.1	MANIFOLD BRACKET ASSY. STAINLESS						1	1
24		240073	.1	ALLEN SCREW M8x20 STAINLESS						1	1
25		847841	.1	DISTANZHUELSE 10,5/17/15 SPACER 10.5/17/15						2	2
26	N n.a.	851303 851302	.1	EXHAUST BRACKET						1	1
27	N s.v.	927411 927410	.1	WASHER 10.5						2	2
28	N s.v.	945833 945753	.1	LOCK WASHER A10						2	2
29		640572	.1	ALLEN SCREW M10x50						2	2
30		xxxxxx	.1	See chapt. 72-20-00 pos. 38						AR	AR
31		xxxxxx	.1	See chapt. 72-20-00 pos. 36						AR	AR
32		851312	.1	CLAMP 120						1	1
33		xxxxxx	.1	See fig. 1 pos. 10	8	8	8	8	8	8	8
34		xxxxxx	.1	See fig. 1 pos. 11	8	8	8	8	8	8	8
35	N	979427	.1	EXHAUST PIPE ASSY. CYL. 1			1e				1e
35	n.a.	979426	.1	EXHAUST BEND CYL. 1 STAINLESS			1e				1e
36	N n.a.	979437 979436	.1	EXHAUST BEND CYL. 2 STAINLESS			1e				1e
37	N n.a.	979447 979446	.1	EXHAUST BEND CYL. 3 STAINLESS			1e				1e
38	N n.a.	979457 979456	.1	EXHAUST BEND CYL. 4 STAINLESS			1e				1e
39		841113	.1	HEX. SCREW M8x1x10						4	4
40		956476	.1	TURBO PRESSURE OIL LINE						1	1
41		851111	.1	CABLE CLAMP 8/M5						2	2
42	N n.a.	942021 942020	.1	LOCK NUT M5						1	1

d06561.fm

BRP-Rotax

ILLUSTRATED PARTS CATALOG

FIG. & ITEM NO.	STATUS	PART NO.	INDENT	Description	Parts per Engine						
					912 A	912 F	912 S	912 UL	912 ULS	914 F	914 UL
43	N s.v.	241842 241841	.1	ALLEN SCREW M5x12						1	1
44	N n.a.	239131 239130	.1	COMPRESSION SPRING 22,0						1	1
45		232440	.1	BALL 5.556 MM						1	1
46		950141	.1	GASKET RING A 8x13						2	2
47		840730	.1	BANJO BOLT M8x1x17						1d	1d
48		956470	.1	TURBO OIL SUCTION LINE						1	1
49		851116	.1	CABLE CLAMP 5/M5						2	2
50	N s.v.	241842 241841	.1	ALLEN SCREW M5x12						2	2
51	N s.v.	942021 942020	.1	LOCK NUT M5						2	2

- a Marked with S/N;
- b Stainless
- c In a roll, Tube 125 mm (4.92 in.)
- d With imprinting „oil“;
- e See Service INstruction SI-914-022 current issue
- f With additional internal bracket

from engine S/N
914 F: 4,420.437

- g With lubrication hole for waste gate shaft

d06561.fm

BRP-Rotax

ILLUSTRATED PARTS CATALOG

NOTES

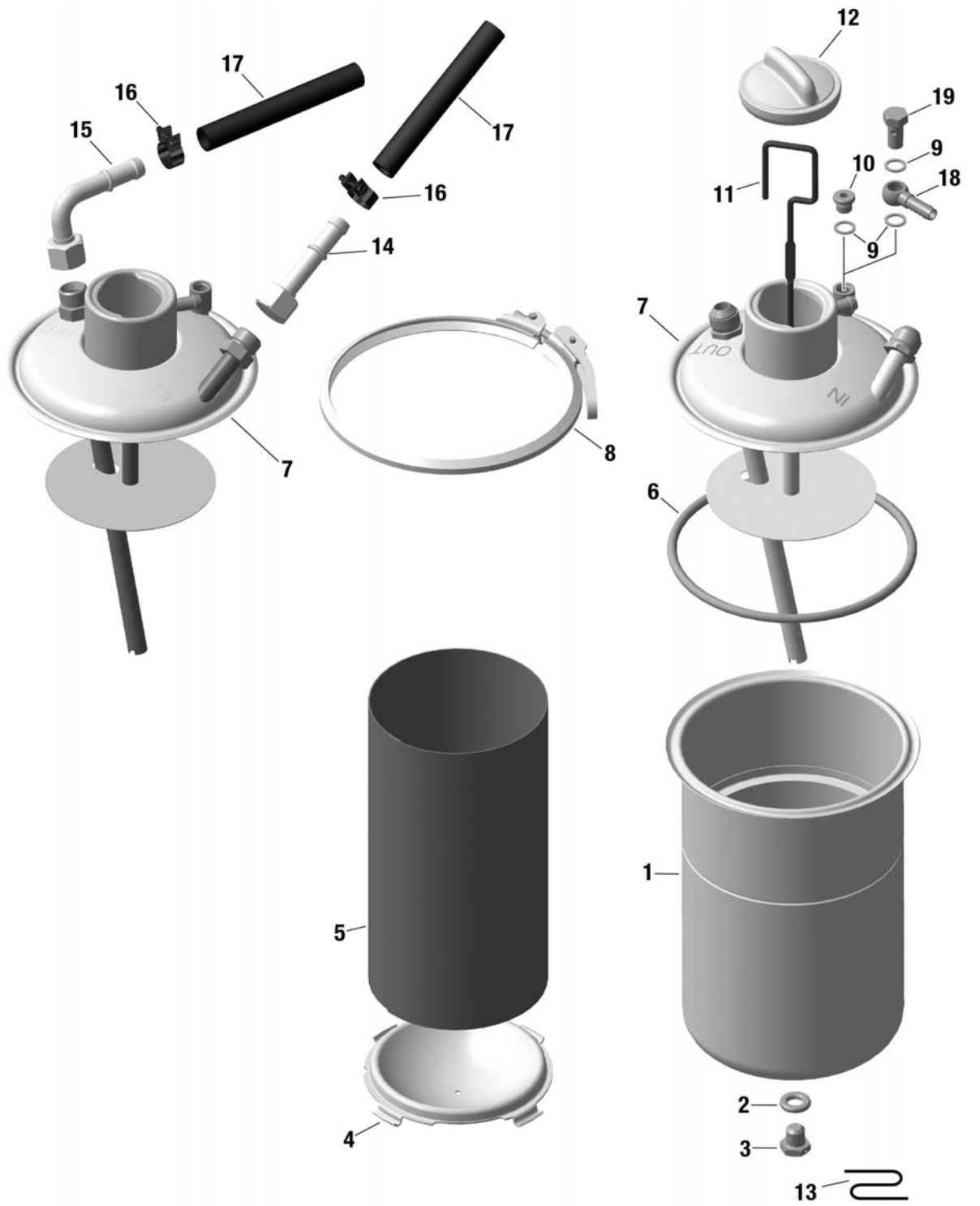
d06561.fm

BRP-Rotax
ILLUSTRATED PARTS CATALOG

NOTES

d06648.fm

BRP-Rotax
ILLUSTRATED PARTS CATALOG



09750

Fig. 79-20-00-1

d06648.fm

BRP-Rotax

ILLUSTRATED PARTS CATALOG

Chapter) 79-20-00

OIL TANK

FIG. & ITEM NO.	STATUS	PART NO.	INDENT	Description	Parts per Engine						
					912 A	912 F	912 S	912 UL	912 ULS	914 F	914 UL
1 1-12	s.v.	956503	.1	OIL TANK ASSY. METRIC M18x1.5	1	1	1	1	1	1	1
1-12	N	656865	.1	OIL TANK ASSY. METRIC M18x1.5	1	1	1	1	1	1	1
1-12	s.v.	956508	.1	OIL TANK ASSY. UNF 3/4-16	1	1	1	1	1	1	1
	N	656860	.1	OIL TANK ASSY. UNF 3/4-16	1	1	1	1	1	1	1
2		250010	..2	GASKET RING C 12x18	1	1	1	1	1	1	1
3	N	241408	..2	HEX. SCREW M12x12	1	1	1	1	1	1	1
	s.v.	241403									
4	n.a.		..2	PARTITION 2	1	1	1	1	1	1	1
5		956204	..2	BAFFLE INSERT	1	1	1	1	1	1	1
6		850491	..2	O-RING 145x6	1	1	1	1	1	1	1
7	n.a.		..2	OIL TANK COVER ASSY. UNF	1	1	1	1	1	1	1
7	n.a.		..2	OIL TANK COVER ASSY. METRIC	1	1	1	1	1	1	1
8		951817	..2	PROFILE CLAMP 163	1	1	1	1	1	1	1
9		230150	..2	SEALING RING A 10x14	1	1	1	1	1	2	2
10		641733	..2	PLUG SCREW M10x1	1	1	1	1	1		
11		956151	..2	OIL DIPSTICK	1a	1a	1a	1a	1a	1a	1a
12		974647	..2	OIL TANK COVER, WITHOUT VENTING	1	1	1	1	1	1	1
13		297555	.1	SAFETY WIRE 0.8	AR	AR	AR	AR	AR	AR	AR
14		956610	.1	HOSE NIPPLE WITH UNION NUT	1c	1c	1c	1c	1c	1c	1c
15		956580	.1	BENT SOCKET	1c	1c	1c	1c	1c	1c	1c
16		853726	.1	CLAMP MINI 16 W1	4	4	4	4	4	4	4
17		956390	.1	OIL TUBE OLNS 1 12x19				ARb	ARb		ARb

- Items not illustrated

d06648.fm

BRP-Rotax

ILLUSTRATED PARTS CATALOG

FIG. & ITEM NO.	STATUS	PART NO.	INDENT	Description	Parts per Engine						
					912 A	912 F	912 S	912 UL	912 ULS	914 F	914 UL
18		956314	.1	HOSE NIPPLE 4/6						1	1
19		940874	.1	BANJO BOLT M10x1x19						1	1

- Items not illustrated

- a See SB-912-040, SB-914-026 current issue
- b In a roll
- c with metric connection thread M18x1.5

d06648.fm

BRP-Rotax
ILLUSTRATED PARTS CATALOG

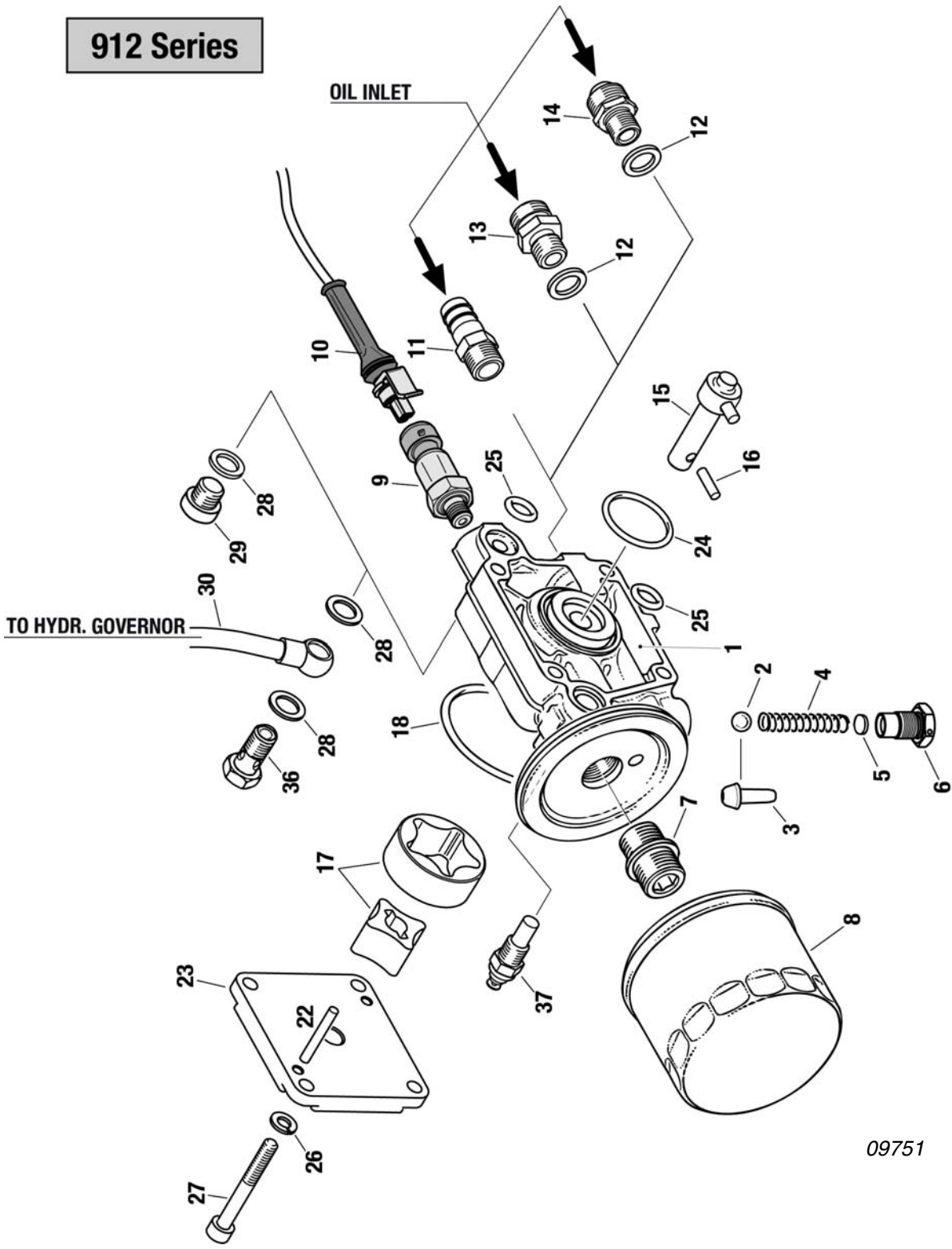
NOTES

d06648.fm

BRP-Rotax

ILLUSTRATED PARTS CATALOG

912 Series



09751

Fig. 79-20-00-2

d06648.fm

BRP-Rotax

ILLUSTRATED PARTS CATALOG

Chapter) 79-20-00

OIL PUMP ASSY., OIL FILTER, OIL TEMPERATURE SENSOR, OIL PRESSURE SENSOR

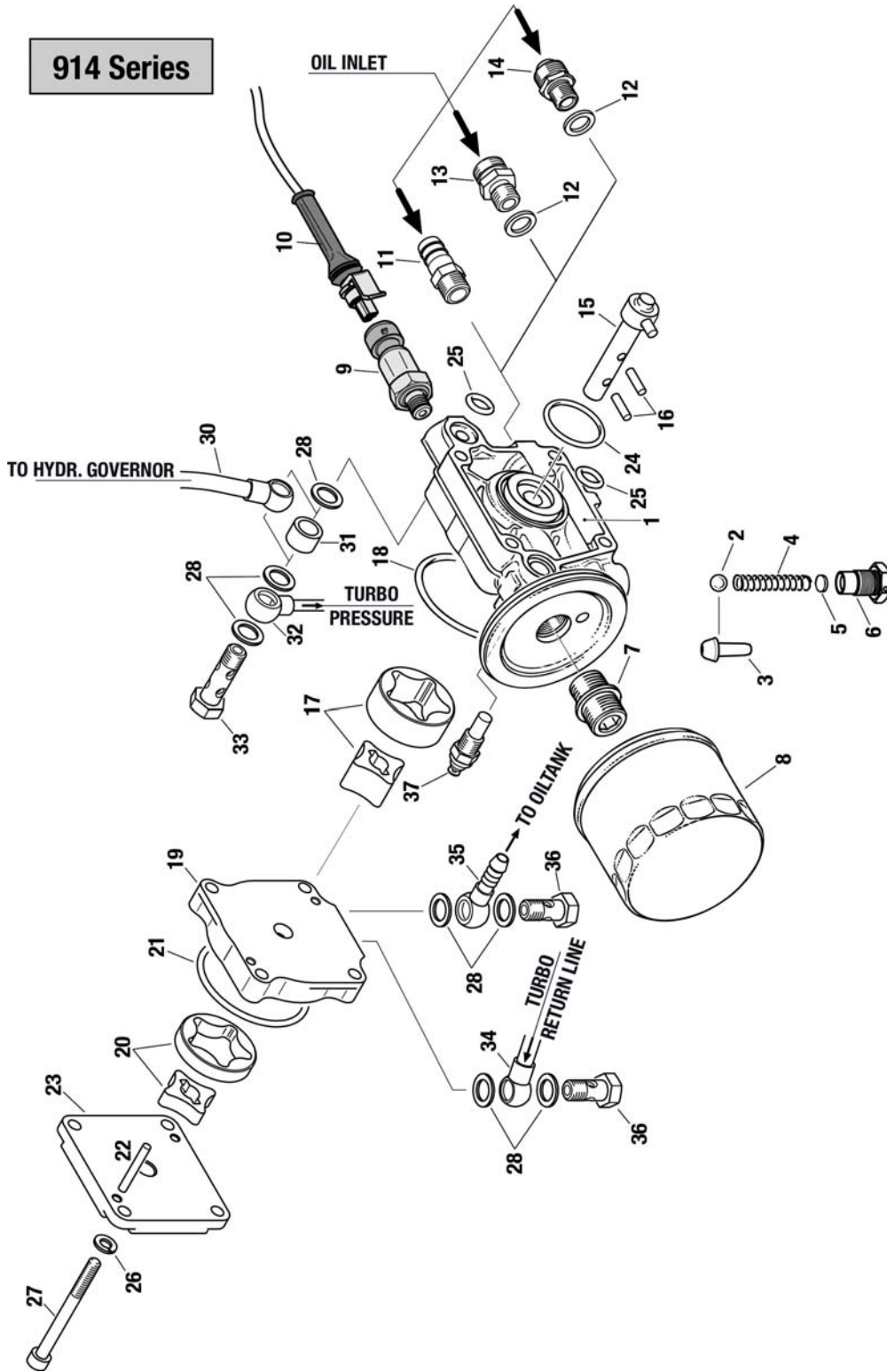
FIG. & ITEM NO.	STATUS	PART NO.	INDENT	Description	Parts per Engine						
					912 A	912 F	912 S	912 UL	912 ULS	914 F	914 UL
2, 1 3		911815	.1	OIL PUMPE HOUSING ASSY.	1	1	1	1	1	1	1
2		432680	.1	BALL 8.5 MM	1	1	1	1	1	1	1
3		857230	.1	VALVE PISTON	(1)	(1)	(1)	(1)	(1)	(1)	(1)
4		838122	.1	PRESSURE SPRING DM 7.1 D 0.9 L 39.5	1	1	1	1	1	1	1
5		227055	.1	SHIM 8.2x1.5	AR	AR	AR	AR	AR	AR	AR
6		841983	.1	PLUG SCREW M12x1	1b	1b	1b	1b	1b	1b	1b
7		924424	.1	OIL FILTER NIPPLE	1a	1a	1a	1a	1a	1a	1a
8	N n.a.	825016 825012	.1	OIL FILTER	1	1	1	1	1	1	1
9		956413	.1	OIL PRESSURE SENSOR	1	1	1	1	1	1	1
9		456180	.1	OIL PRESSURE SENSOR ASSY.	1c	1c	1c	1c	1c	1c	1c
10		864250	.1	OIL PRESSURE SENSOR WIRE ASSY.	1c	1c	1c	1c	1c	1c	1c

- Items not illustrated

- a thread 3/4-16 UNF for oil filter 3 mm extended.
- b with optimized spring routing
- c see SI 912-020/914-022

d06648.fm

BRP-Rotax
ILLUSTRATED PARTS CATALOG



09752

Fig. 79-20-00-3

d06648.fm

BRP-Rotax

ILLUSTRATED PARTS CATALOG

FIG. & ITEM NO.	STATUS	PART NO.	INDENT	Description	Parts per Engine						
					912 A	912 F	912 S	912 UL	912 ULS	914 F	914 UL
2, 11 3		840461	.1	NIPPLE 13.2/9.5-M14x1.5	1			1	1		1
12		230387	.1	GASKET RING 14.2/18/2	1	1	1	1	1	1	1
13		956577	.1	ADAPTOR M18x1.5/M14x1.5	1	1	1	(1)	(1)	1	(1)
14		956641	.1	ADAPTOR 3/4-16 UNF/ M14x1.5	1	1	1	1	1	1	1
15		837127	.1	OIL PUMP SHAFT ASSY.						1	1
15		837129	.1	OIL PUMP SHAFT ASSY.	1	1	1	1	1		
16		232730	.1	NEEDLE PIN 4x15,8 G3	1	1	1	1	1	2	2
17		956278	.1	SUCTION INNER AND OUTER ROTOR ASSY.	1	1	1	1	1	1	1
18		430405	.1	O-RING 57x3	1	1	1	1	1	1	1
19		810592	.1	OIL PUMP HOUSING						1	1
20		256346	.1	PRESSURE INNER AND OU- TER ROTOR						1	1
21		430175	.1	O-RING 46x3						1	1
22		232431	.1	NEEDLE PIN B 4x29.8 G5						2	2
22		232731	.1	NEEDLE PIN B 4x15.8 G3	2	2	2	2	2		
23		911711	.1	OIL PUMP COVER	1	1	1	1	1	1	1
24		950410	.1	O-RING 30x2.5	1	1	1	1	1	1	1
25		250460	.1	O-RING 11x2.7	2	2	2	2	2	2	2
26	N s.v.	945831 945751	.1	LOCK WASHER A6	4	4	4	4	4	4	4
26	N s.v.	827962 827961	.1	Washer A6.4	4	4	4	4	4	4	4
27	N s.v.	241263 241261	.1	ALLEN SCREW M6x65	4	4	4	4	4	4	4
27	s.v.	241761 241763	.1	ALLEN SCREW M6x50	4	4	4	4	4		

d06648.fm

BRP-Rotax

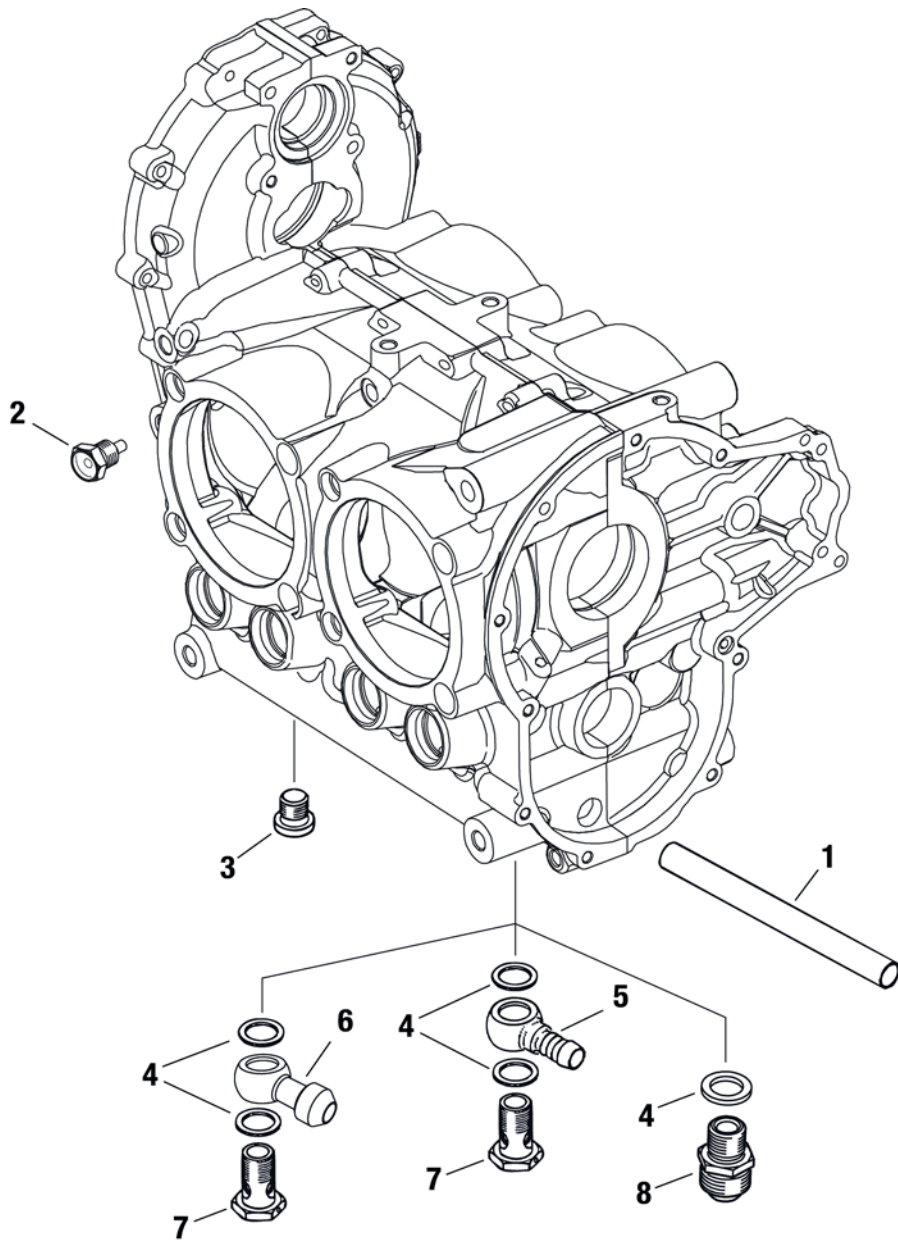
ILLUSTRATED PARTS CATALOG

FIG. & ITEM NO.	STATUS	PART NO.	INDENT	Description	Parts per Engine						
					912 A	912 F	912 S	912 UL	912 ULS	914 F	914 UL
28		230150	.1	GASKET RING 10x14	2	2	2	2	2	7	7
29		641733	.1	PLUG SCREW M10x1	1	1	1	1	1		
30		xxxxxx	.1	See chapt. 61-20-00	1	1	1	1	1	1	1
31		847228	.1	DISTANZHUELSE 10,5/15/10 SPACER 10.5/15/10						1	1
32		xxxxxx	.1	See chapt. 78-10-00						1	1
33		940873	.1	BANJO BOLT M10x1x30						1	1
34		xxxxxx	.1	See chapt. 78-10-00						1	1
35		956314	.1	HOSE NIPPLE 4/6						1	1
36		940874	.1	BANJO BOLT M10x1x19	1	1	1	1	1		
37		965531	.1	TEMPERATURE SENSOR	1	1	1	1	1	1	1
38		xxx	.1	CONNECTOR SET OPS AND MAPS See chapt. 76-20-00	1d	1d	1d	1d	1d	1d	1d

d for oil pressure sensor part no. 456180

d06648.fm

BRP-Rotax
ILLUSTRATED PARTS CATALOG



09763

Fig. 79-20-00-4

BRP-Rotax

ILLUSTRATED PARTS CATALOG

Chapter) 79-20-00

MAGNETIC DRAIN PLUG, PLUG SCREW

FIG. & ITEM NO.	STATUS	PART NO.	INDENT	Description	Parts per Engine							
					912 A	912 F	912 S	912 UL	912 ULS	914 F	914 UL	
4 1		xxxxxx	.1	See chapt. 72-20-00	1			1				
2		241785	.1	MAGNETIC DRAIN PLUG M12x1.5	1	1	1	1	1	1	1	1
3		240234	.1	PLUG SCREW M16x1.5	1	1	1	1	1	1	1	1
4		430622	.1	GASKET RING A 16x22	2	2	2	2	2	2	2	2
5		956315	.1	HOSE NIPPLE 10	1	1	1	1	1	1	1	1
6		956050	.1	HOSE NIPPLE 16	1a	1a	1a	1a	1a	1a	1a	1a
7		940879	.1	BANJO BOLT M16x1.5x28	1	1	1	1	1	1	1	1
8		956651	.1	ADAPTER 3/4-16 UNF/ M16x1.5	1	1	1	1	1	1	1	1

- a Following Service Instruction has to be noticed:
 SI-912-003 current issue
 SI-914-005

d06648.fm

BRP-Rotax
ILLUSTRATED PARTS CATALOG

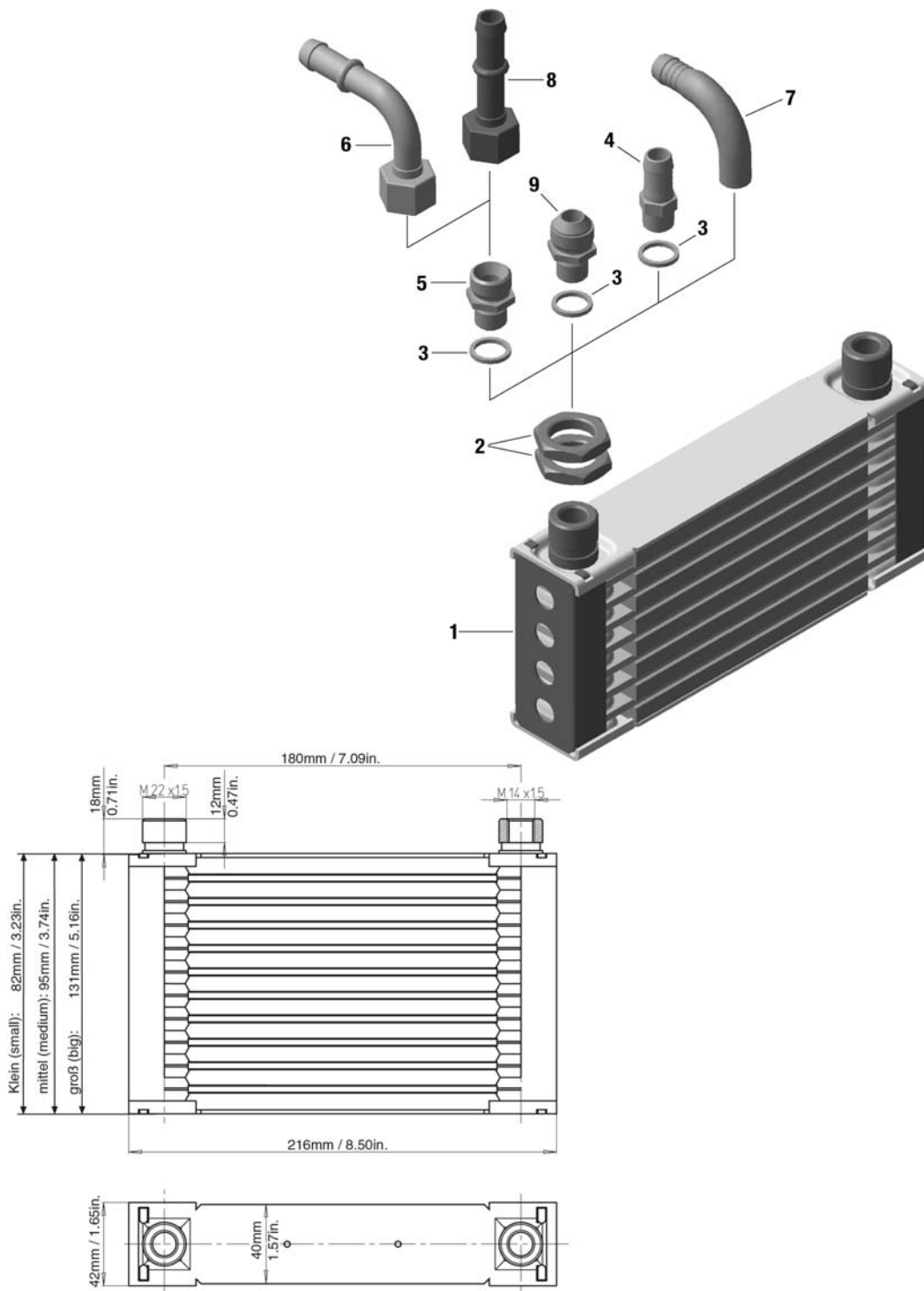


Fig. 79-20-00-5

d06648.fm

BRP-Rotax

ILLUSTRATED PARTS CATALOG

Chapter) 79-20-00

OIL RADIATOR

FIG. & ITEM NO.	STATUS	PART NO.	INDENT	Description	Parts per Engine						
					912 A	912 F	912 S	912 UL	912 ULS	914 F	914 UL
5 1-4		886032	.1	OIL RADIATOR SET	(1) ad	(1) ad		(1) ad	(1) ad		(1) ad
1-4		886033	.1	OIL RADIATOR SET	(1) bd	(1) bd	(1) bd	(1) bd	(1) bd		(1) bd
1-4		886034	.1	OIL RADIATOR SET METRIC	(1)c d	(1)c d	(1)c d	(1)c d	(1)c d	(1)c d	(1)c d
1,2, 3,9		886036	.1	OIL RADIATOR SET UNF	(1)e c	(1)e c	(1)e c	(1)e c	(1)e c	(1)e c	(1)e c
1	n.a.	886022 886000	..2	OIL RADIATOR	(1)a	(1)a		(1)a			
1	n.a.	886023 886002	..2	OIL RADIATOR	(1)b	(1)b	(1)b	(1)b	(1)b		
1	n.a.	886024 886004	..2	OIL RADIATOR	(1)c	(1)c	(1)c	(1)c	(1)c	(1)c	(1)c
2	N	242873	..2	HEX NUT M22x1.5	(4)	(4)	(4)	(4)	(4)	(4)	(4)
2	s.v.	242879	..2	HEX NUT M22x1.5	(4)	(4)	(4)	(4)	(4)	(4)	(4)
3		230387	..2	GASKET RING 14.2/18/2	(2)	(2)	(2)	(2)	(2)	(2)	(2)
4		840461	.2	NIPPLE 13.2/9.5-M14x1.5	(2)	(2)	(2)	(2)	(2)	(2)	(2)
5		956577	.1	ADAPTER M18x1.5/M14x1.5	(2)	(2)	(2)	(2)	(2)	(2)	(2)
6		956580	.1	BENT SOCKET ASSY.	AR	AR	AR	AR	AR	AR	AR
7		924585	.1	ANGULAR TUBE M14x1.5	AR	AR	AR	AR	AR	AR	AR
8		956610	.1	HOSE NIPPLE WITH UNION NUT	AR	AR	AR	AR	AR	AR	AR
9		956643	.1	ADAPTER 3/4-16 UNF/ M14x1.5	(2)	(2)	(2)	(2)	(2)	(2)	(2)
3,5, 8		956615	.1	SCREW CONNECTION SET STRAIGHT	(1)	(1)	(1)	(1)	(1)	(1)	(1)
3,5, 6		956585	.1	SCREW CONNECTION SET BENT	(1)	(1)	(1)	(1)	(1)	(1)	(1)

- Items not illustrated

d06648.fm

BRP-Rotax
ILLUSTRATED PARTS CATALOG

FIG. & ITEM NO.	STATUS	PART NO.	INDENT	Description	Parts per Engine						
					912 A	912 F	912 S	912 UL	912 ULS	914 F	914 UL
2,3, 9		956645	.1	SCREW CONNECTION SET UNF	(1)	(1)	(1)	(1)	(1)	(1)	(1)

- Items not illustrated

- a Cooling area 125 cm² / 19.38 sq in
- b Cooling area 142 cm² / 22 sq in
- c Cooling area 234 cm² / 36.27 sq in
- d Metric connections
- e UNF connections

d06648.fm

BRP-Rotax
ILLUSTRATED PARTS CATALOG

NOTES

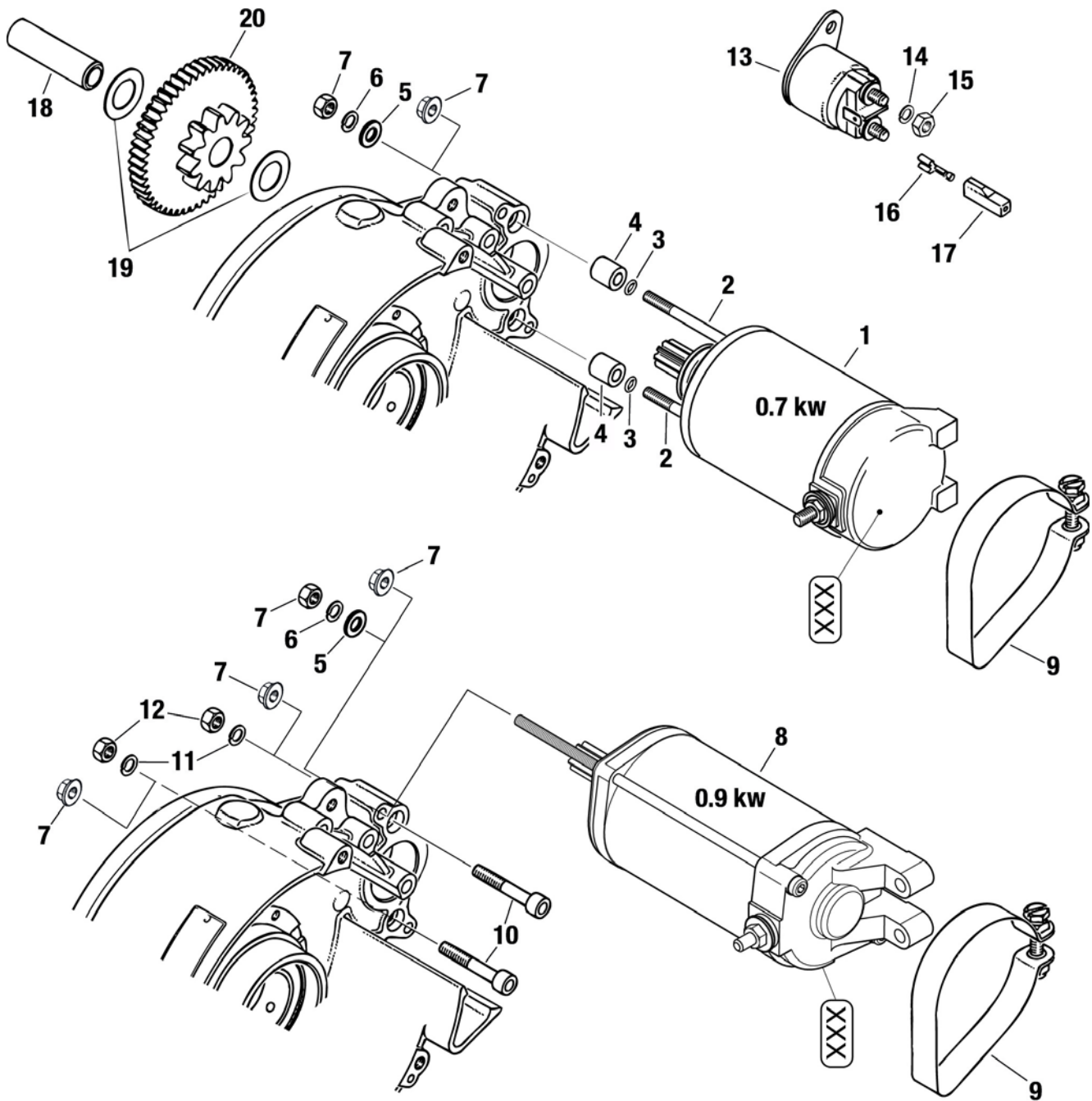
d06648.fm

BRP-Rotax
ILLUSTRATED PARTS CATALOG

NOTES

d06563.fm

BRP-Rotax
ILLUSTRATED PARTS CATALOG



09754_a

Fig. 80-10-00-1

d06563.fm

BRP-Rotax

ILLUSTRATED PARTS CATALOG

Chapter) 80-10-00

ELECTRIC STARTER, STARTER RELAY

FIG. & ITEM NO.	STATUS	PART NO.	INDENT	Description	Parts per Engine						
					912 A	912 F	912 S	912 UL	912 ULS	914 F	914 UL
1 1-7		685974	.1	ELECTRIC STARTER SET	1c	1c	1c	1c	1c	1c	1c
2	N s.v.	840636 840635	..2	STUD M5x150/16	2	2	2	2	2	2	2
3		950420	..2	O-RING 5x1.5-N	2	2	2	2	2	2	2
4		847248	..2	SPACER 5.4/10/12	2	2	2	2	2	2	2
5		927571	..2	WASHER 5.3	2d	2d	2d	2d	2d	2d	2d
6	N s.v.	945830 945750	..2	LOCK WASHER A5	2d	2d	2d	2d	2d	2d	2d
7		242071	..2	HEX. NUT M5	2d	2d	2d	2d	2d	2d	2d
7		942311	..2	COLLAR NUT M5	2d	2d	2d	2d	2d	2d	2d
4-6 8-12		889751	.1	ELECTRIC STARTER SET	1a	1a	1a	1a	1a	1a	1a
9		851020	..2	CLAMP 76	1b	1b	1b	1b	1b	1b	1b
10		941791	..2	ALLEN SCREW M5x45	2	2	2	2	2	2	2
11	N s.v.	945830 945750	..2	LOCK WASHER A5	2d	2d	2d	2d	2d	2d	2d
12		842030	..2	ROTOR SUPPORT ASSY.	2d	2d	2d	2d	2d	2d	2d
13-15		992818	.1	STARTER RELAY ASSY.	1	1	1	1	1	1	1
14	N s.v.	945831 945751	.1	LOCK WASHER A6	2	2	2	2	2	2	2
15		242211	.1	HEX. NUT M6	2	2	2	2	2	2	2
16		960719	.1	CONNECTOR SHEATH	1	1	1	1	1	1	1
17		864011	.1	FASTON CONNECTOR 6.3x0.8	1	1	1	1	1	1	1
18		837102	.1	IDLE GEAR SHAFT	1	1	1	1	1	1	1
19		827261	.1	THRUST WASHER 12.5/21.5/1	2	2	2	2	2	2	2
20		834156	.1	IDLE GEAR 50/11 T	1	1	1	1	1	1	1

- Items not illustrated

d06563.fm

BRP-Rotax

ILLUSTRATED PARTS CATALOG

- a See therefore
SB-912-037 current issue
SB-914-023
- b will be delivered in circle shape
- c standard starter 0.7 kW
- d Washer, lock washer and hex. nut replaced by hex. collar nut.

d06563.fm

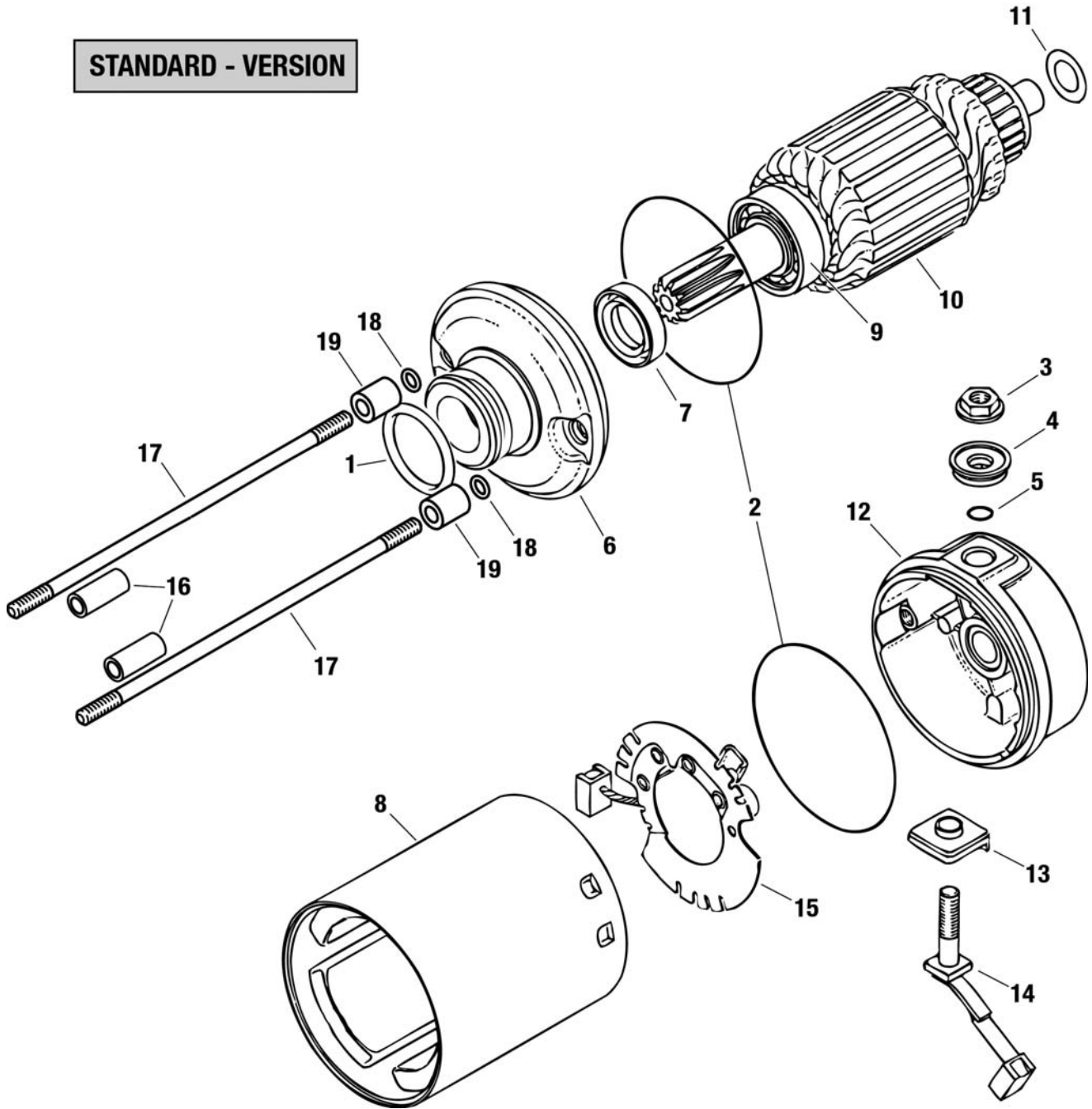
BRP-Rotax
ILLUSTRATED PARTS CATALOG

NOTES

d06563.fm

BRP-Rotax
ILLUSTRATED PARTS CATALOG

STANDARD - VERSION



09755

Fig. 80-10-00-2

d06563.fm

BRP-Rotax
ILLUSTRATED PARTS CATALOG
ELECTRIC STARTER, STARTER RELAY

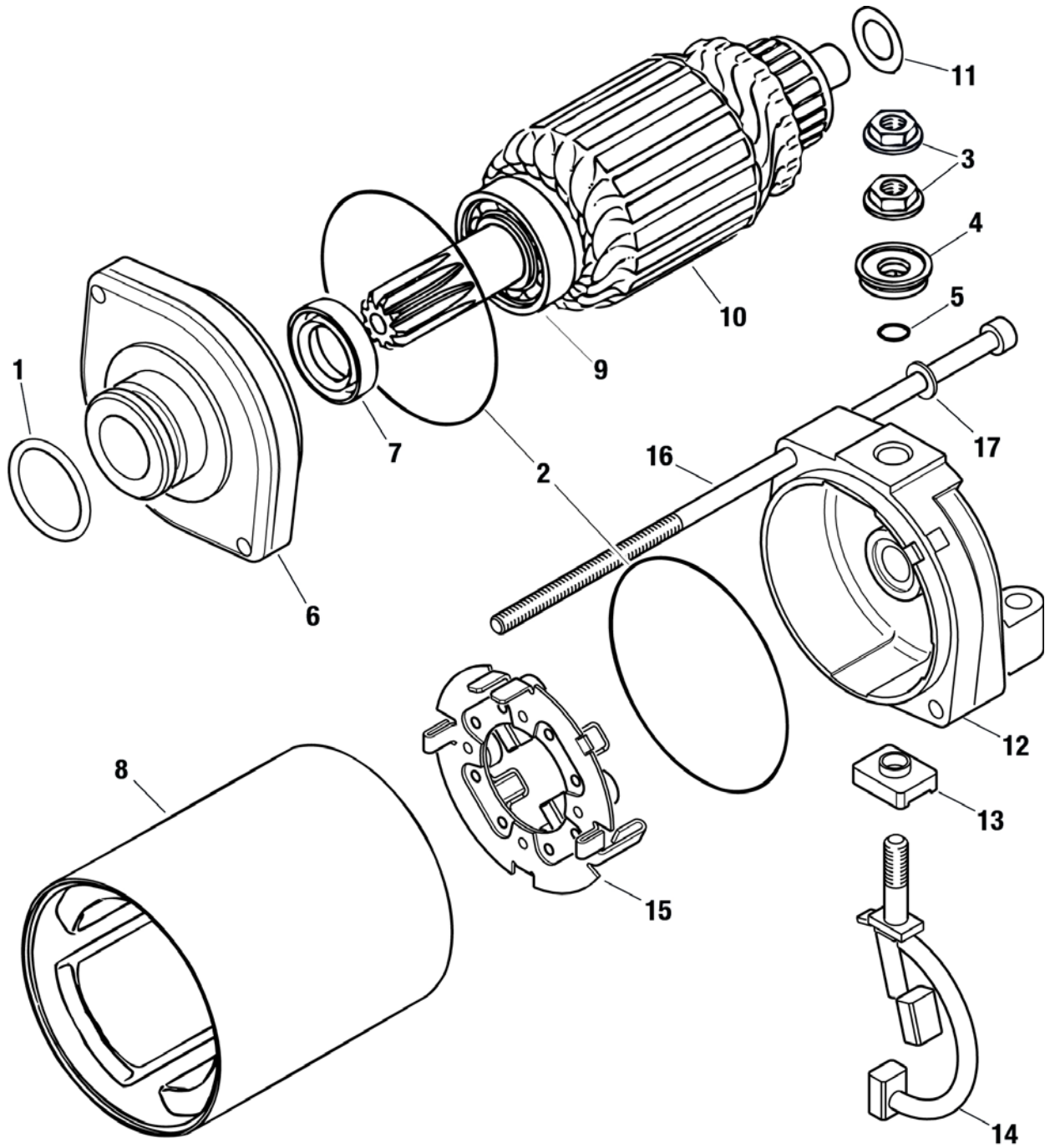
FIG. & ITEM NO.	STATUS	PART NO.	INDENT	Description	Parts per Engine						
					912 A	912 F	912 S	912 UL	912 ULS	914 F	914 UL
2	1-19	xxxxxx	..1	See fig.1 pos. 1	1	1	1	1	1	1	1
1		250140	..2	O-RING 24.4x3.1	1	1	1	1	1	1	1
2		850500	..2	O-RING 62x1.5	2	2	2	2	2	2	2
3		242780	..2	COMBINED NUT M6	1	1	1	1	1	1	4
4		260800	..2	CONNECTOR SHEATH	1	1	1	1	1	1	1
5		230530	..2	O-RING 6x1.7	1	1	1	1	1	1	1
6	n.a.		..2	SUPPORT	1	1	1	1	1	1	1
7		250130	..2	OIL SEAL 15x24x5	1	1	1	1	1	1	1
8	n.a.		..2	STATOR YOKE ASSY.	1	1	1	1	1	1	1
9		232260	..2	BALL BEARING 6002 Z / 15-32-9	1	1	1	1	1	1	1
10	n.a.		..2	ROTOR ASSY.	1	1	1	1	1	1	1
11		827600	..2	SHIM	AR	AR	AR	AR	AR	AR	AR
12	n.a.		..2	ROTOR SUPPORT ASSY.	1	1	1	1	1	1	1
13		260810	..2	CONNECTOR SHEATH	1	1	1	1	1	1	1
14		264180	..2	CARBON BRUSH ASSY.	1	1	1	1	1	1	1
15		866890	..2	BRUSH HOLDER WITH SPRINGS	1	1	1	1	1	1	1
16		974524	..2	DISTANCE HOSE 45 MM	1a	1a	1a	1a	1a	1a	1a
17		xxxxxx	..2	See fig. 1 / pos. 2	2	2	2	2	2	2	2
18		xxxxxx	..2	See fig. 1 / pos. 3	2	2	2	2	2	2	2
19		xxxxxx	..2	See fig. 1 / pos. 4	2	2	2	2	2	2	2

- Items not illustrated

a Only for transport

d06563.fm

BRP-Rotax
ILLUSTRATED PARTS CATALOG



09686

Fig. 80-10-00-3

d06563.fm

BRP-Rotax
ILLUSTRATED PARTS CATALOG

Chapter) 80-10-00
E-STARTER SINGLE PARTS

FIG. & ITEM NO.	STATUS	PART NO.	INDENT	Description	Parts per Engine							
					912 A	912 F	912 S	912 UL	912 ULS	914 F	914 UL	
3 1-17		xxxxxx	.1	See fig. 1 pos. 8	1	1	1	1	1	1	1	1
1		250140	..2	O-RING 24.4X3.1-N NBR70	1	1	1	1	1	1	1	1
2		850500	..2	O-RING 62-1.5	2	2	2	2	2	2	2	2
3		242780	..2	COMBINED NUT M6	2	2	2	2	2	2	2	2
4		260800	..2	CONNECTOR SHEATH	1	1	1	1	1	1	1	1
5		230530	..2	O-RING 6X1.7	1	1	1	1	1	1	1	1
6	n.a.		..2	SUPPORT	1	1	1	1	1	1	1	1
7		250130	..2	OIL SEAL 15X24X5 NBR	1	1	1	1	1	1	1	1
8	n.a.		..2	STATOR YOKE ASSY.	1	1	1	1	1	1	1	1
9		232260	..2	BALL BEARING 6002 Z / 15-32-9	1	1	1	1	1	1	1	1
10	n.a.		..2	ROTOR ASSY.	1	1	1	1	1	1	1	1
11		827600	..2	SHIM	AR	AR	AR	AR	AR	AR	AR	AR
12-15, 1-5		294354	..2	ELECTRIC STARTER REPAIR KIT	1	1	1	1	1	1	1	1
12	n.a.		..2	ROTOR SUPPORT ASSY.	1a	1a	1a	1a	1a	1a	1a	1a
13	n.a.		..2	CONNECTOR SHEATH	1a	1a	1a	1a	1a	1a	1a	1a
14	n.a.		..2	CARBON BRUSH ASSY.	1a	1a	1a	1a	1a	1a	1a	1a
15	n.a.		..2	BRUSH HOLDER WITH SPRINGS	1a	1a	1a	1a	1a	1a	1a	1a
16		440586	..2	ALLEN SCREW M5X180	2	2	2	2	2	2	2	2
17		927571	..2	WASHER 5.3	2	2	2	2	2	2	2	2

- Items not illustrated

a Not available as single spare part. Use electric starter kit part no. 294354.

d06563.fm

BRP-Rotax
ILLUSTRATED PARTS CATALOG

NOTES

d06563.fm



Engine serial no.

Type of aircraft

Aircraft registration no.

ROTAX[®] authorized distributor